

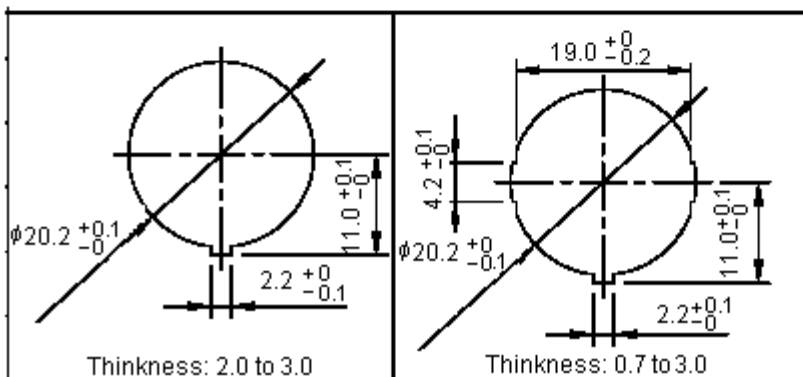
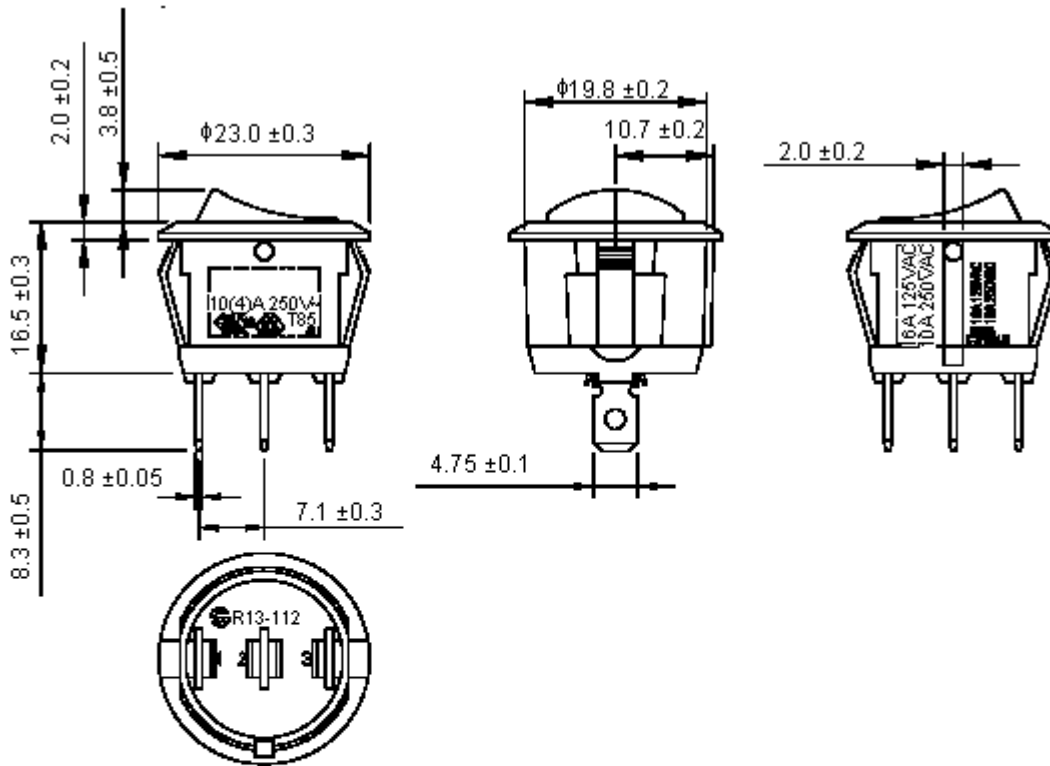
# Rocker Switches



R13-112

**Feature:**

- Material : Frame : Nylon 66 (94-V2)
- : Actuator : Nylon 66/PC (94-V2)
- : Terminals : Silver plated, copper alloy
- : Contacts : Ag alloy.



Dimensions : Millimetres

<http://www.farnell.com>  
<http://www.newark.com>  
<http://www.cpc.co.uk>

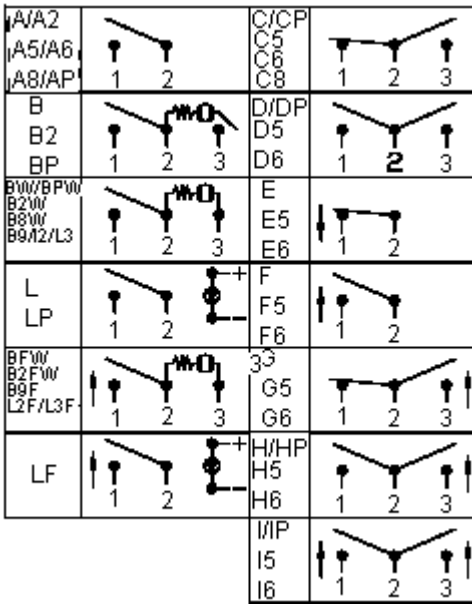


# Rocker Switches

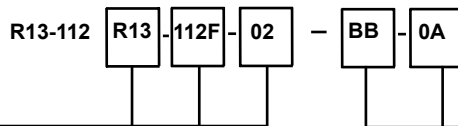
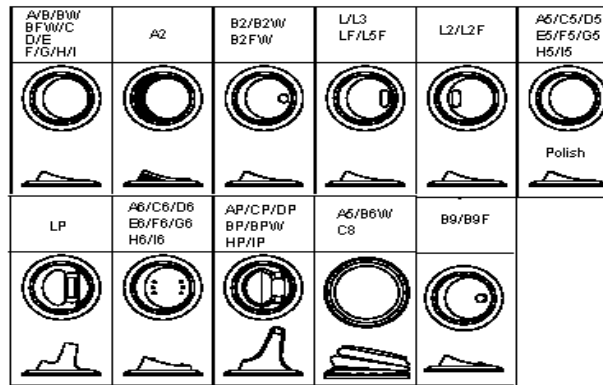


R13-112

## Circuit Diagram



## Rocker Options

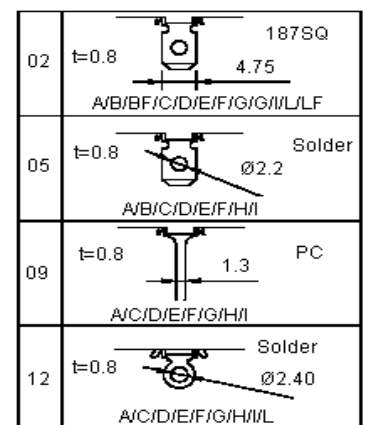


### Function

( ) = Momentary

### Terminal Options

Terminal Options	Function	Terminal Options	Terminal Options
C/C5/C6/C8/CP	2P SPST On-Off	D/D5/D6/DP	3P SPDT On-On
			3P SPDT On-Off-On
E/E5/E6	3P SPST (On) - Off (Illuminated) R/Y/G	F/F5/F6	2P SPST On-(Off)
			2P SPST (On) - Off
			3P SPDT On-(On)
H/H5/H6/HP	4P SPST On-Off (LED) R/Y/G	I/I5/I6/IP	3P SPDT On-Off-(On)
			3P SPDT (On)-Off-(On)
BFW/B2FW/B9F L2F/L3F		3P SPST (On) - Off (Illuminated) R/Y/G	

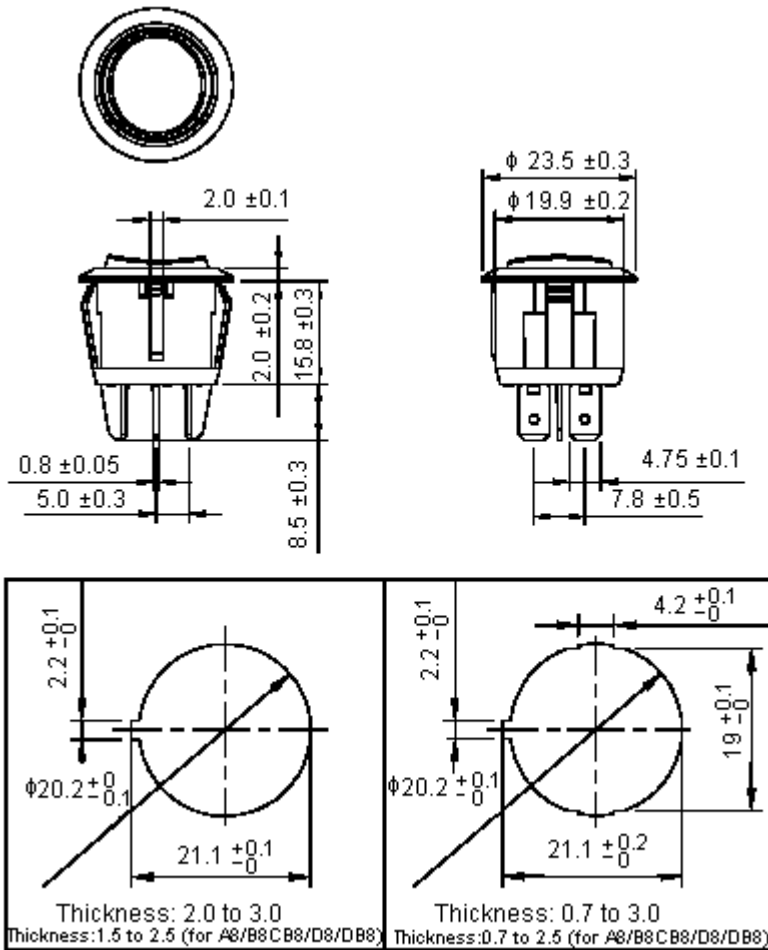


# Rocker Switches



R13-244

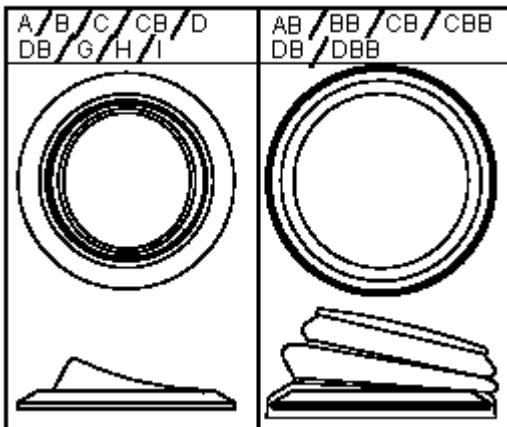
## Circuit Diagram



Dimensions : Millimetres

## Rocket Options

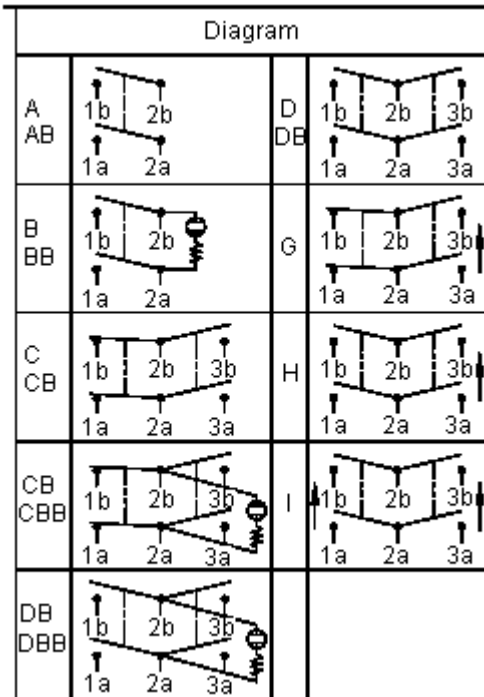
Rocker options



<http://www.farnell.com>  
<http://www.newark.com>  
<http://www.cpc.co.uk>



## Circuit Diagram



R13-244A - 02 - BB - 0A

### Functions

A/A8	4P DPST On-Off
B/B8	4P DPST On-Off (Illuminated)
C/C8	6P DPDT On-
CB/CB8	6P DPDT On-On (Illuminated)
D/D8	6P DPDT On-Off-On
DB/DB8	6P DPDT On-Off-On (Illuminated)
G	6P DPDT (On)-On
H	6P DPDT On-Off-(On)
I	6P DPDT (On)-Off-(On)

# Rocker Switches



## Specifications:

Rating	: 16A 125V, 10A 250V ac : 10A 28V, 6A 14 VT dc : 10 (4) A 250V.
Maximum contact resistance	: 50mΩ.
Minimum insulation resistance	: 500V dc 100MΩ.
Dielectric strength	: 1500V ac 1 minute.
Operating temperature	: -25°C to 85°C.

## Part Number Table

Description	Part Number
Switch, Rocket, SPST, ON-OFF	R13-112A-02-BB-0A
Switch, Rocket, SPST, ON-OFF, MOM	R13-112F-02-BB-0A
Switch, Rocket, SPST, ON-OFF	R13-112A5-02-WW-0A
Switch, Rocket, SPST, ON-OFF	R13-112A-02-BB-3A
Switch, Rocket, SPST, ON-OFF, MOM	R13-112F-02-BB-3A
Switch, Rocket, SPST, ON-OFF	R13-112A5-02-WW-3A
Switch, Rocket, DPST, ON-OFF	R13-244A-02-BB-0A
Switch, Rocket, DPST, ON-OFF	R13-244A5-02-WW-0A
Switch, Rocket, DPST, ON-OFF	R13-244A-02-BB-3A
Switch, Rocket, DPST, ON-OFF	R13-244A5-02-WW-3A
Switch, Rocket, SPST, ON-OFF, IP65	R13-112A8-02-BB-0A
Switch, Rocket, SPST, IP65, MOM	R13-112F8-02-BB-0A
Switch, Rocket, SPST, ON-OFF, IP65	R13-112A8-02-BB-2A
Switch, Rocket, SPST, IP65, MOM	R13-112F8-02-BB-2A
Switch, Rocket, SPST, Red Illum.	R13-112B-02-BR-0A
Switch, Rocket, SPST, Green Illum.	R13-112B-02-BG-0A
Switch, Rocket, DPST, Red Illum.	R13-244B-02-BR-0A
Switch, Rocket, DPST, Green Illum.	R13-244B-02-BG-0A
Switch, Rocket, SPST, Red, IP65	R13-112B8W-02-BR-0A
Switch, Rocket, SPST, Green, IP65	R13-112B8W-02-BG-0A
Switch, Rocket, SPST, Red Illum.	R13-112B9-02-BBR-0A
Switch, Rocket, SPST, Green Illum.	R13-112B9-02-BBG-0A

**Disclaimer** This data sheet and its contents (the "Information") belong to the Premier Farnell Group (the "Group") or are licensed to it. No licence is granted for the use of it other than for information purposes in connection with the products to which it relates. No licence of any intellectual property rights is granted. The Information is subject to change without notice and replaces all data sheets previously supplied. The Information supplied is believed to be accurate but the Group assumes no responsibility for its accuracy or completeness, any error in or omission from it or for any use made of it. Users of this data sheet should check for themselves the Information and the suitability of the products for their purpose and not make any assumptions based on information included or omitted. Liability for loss or damage resulting from any reliance on the Information or use of it (including liability resulting from negligence or where the Group was aware of the possibility of such loss or damage arising) is excluded. This will not operate to limit or restrict the Group's liability for death or personal injury resulting from its negligence. SPC Multicomp is the registered trademark of the Group. © Premier Farnell plc 2010.

<http://www.farnell.com>  
<http://www.newark.com>  
<http://www.cpc.co.uk>

