

## Insulated enclosures XAP-A

<b>Material and colour</b>	Glass-reinforced polyester, coloured grey throughout
<b>Approvals</b>	Special version: CSA ENCLOSURE 4 and 5
<b>Protective treatment</b>	Standard version: "TC" and "TH"
<b>Ambient air temperature</b>	Operation: - 25...+ 70 °C. Storage: - 40...+ 70 °C
<b>Degree of protection</b>	IP 65 conforming to IEC 529 and IP 657 conforming to NF C 20-010
<b>Electric shock protection</b>	Class II conforming to IEC 536 and NF C 20-030
<b>Flame resistance</b>	CSTB: M3, NF C 20-455: 850 °C, IEC 92: 960 °C, UL 94: VO
<b>Chemical resistance</b>	Highly resistant to acids, bases, sea water, mineral salts, all solvents, petrol, diesel, oils and greases
<b>Cable entry</b>	Undrilled, drill to suit

## Diecast metal enclosures XAP-M

<b>Material and colour</b>	Zinc alloy ( <b>XAP-M1, M2, M3, M4</b> ), aluminium alloy ( <b>XAP-M5</b> ). Blue paint finish
<b>Approvals</b>	Special version: CSA ENCLOSURE 4 and 5, UL ENCLOSURE 1, 3, 4 and 12K
<b>Protective treatment</b>	Standard version: "TC". Special version: "TH"
<b>Ambient air temperature</b>	Operation: - 25...+ 70 °C. Storage: - 40...+ 70 °C
<b>Degree of protection</b>	IP 65 conforming to IEC 529 and IP 657 conforming to NF C 20-010
<b>Electric shock protection</b>	Class I conforming to IEC 536 and NF C 20-030
<b>Chemical resistance</b>	Special treatments on request
<b>Cable entry</b>	Tapped entries for addition of cable glands (see dimensions, page 6/14)

## Metal enclosures XB2-S

<b>Material and colour</b>	Aluminium alloy or sheet steel. Blue paint finish
<b>Protective treatment</b>	Standard version: "TC". Special version: "TH"
<b>Ambient air temperature</b>	Operation: - 25...+ 70 °C. Storage: - 40...+ 70 °C
<b>Degree of protection</b>	IP 54 conforming to IEC 529 and IP 547 conforming to NF C 20-010
<b>Electric shock protection</b>	Class I conforming to IEC 536 and NF C 20-030
<b>Chemical resistance</b>	Special treatments on request
<b>Cable entry</b>	<b>XB2-S</b> in aluminium alloy: tapped entries for addition of cable glands (see dimensions, page 6/14) <b>XB2-S</b> in sheet steel: undrilled, drill to suit

## Flush mounting enclosures XAP-E

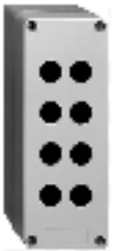
<b>Material and colour</b>	Anodised aluminium front plate. Insulated protective rear cover
<b>Protective treatment</b>	Standard version: "TC" and "TH"
<b>Ambient air temperature</b>	Operation: - 25...+ 70 °C. Storage: - 40...+ 70 °C
<b>Degree of protection</b>	IP 65 conforming to IEC 529 and IP 657 conforming to NF C 20-010
<b>Electric shock protection</b>	Class I conforming to IEC 536 and NF C 20-030
<b>Chemical resistance</b>	High degree of resistance to organic acids, diluted mineral acids, salts, alcohol, acetone, chloride and fluoride solvents, oils and petrol
<b>Cable entry</b>	Through rear cover: 'knock-out' cable entries

# Control stations and enclosures

Control station enclosures: insulated, metal and flush mounting  
With cut-outs for Ø 22 mm control and signalling units



XAP-A1104



XAP-A2108



XAP-A3116



DWG-1

## Insulated enclosures, glass-reinforced polyester (usable depth 83 mm)

Description	Front face dimensions mm	Number of cut-outs	Number of rows		Reference	Weight kg
			vertical	horizontal		
<b>Without hinges</b>	85 x 146	1	1	1	<b>XAP-A1110</b>	0.470
		2	1	2	<b>XAP-A1120</b>	0.450
		4	2	2	<b>XAP-A1104</b>	0.460
	85 x 226	8	2	4	<b>XAP-A2108</b>	0.580
	151 x 241	16	4	4	<b>XAP-A3116</b>	0.820
<b>With hinges</b>	151 x 241	16	4	4	<b>XAP-A4116</b>	0.850
<b>Earthing plates</b> Sheet steel with earth screw		For XAP-A1110			<b>XAP-Z110</b>	0.080
		For XAP-A1120			<b>XAP-Z120</b>	0.070
		For XAP-A1104			<b>XAP-Z104</b>	0.070
		For XAP-A2108			<b>XAP-Z208</b>	0.110
		For XAP-A3116 and A4116			<b>XAP-Z316</b>	0.160

## Elbowed metal enclosures for mounting on vertical support

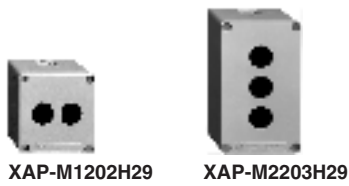
Description	Number of cut-outs	Reference	Weight kg
<b>Elbowed enclosure</b> metal Lid: light grey (RAL 7035) Base: dark grey (RAL 7016)	1	<b>DWG-1</b>	0.465
	2	<b>DWG-2</b>	0.545
	3	<b>DWG-3</b>	0.725
	4	<b>DWG-4</b>	0.725
	5	<b>DWG-5</b>	0.790
	6	<b>DWG-6</b>	0.990
	7	<b>DWG-7</b>	0.990

### Other versions

Insulated and metal control station enclosures with cut-outs for Ø 30 mm control and signalling units.  
Protective guards and fixing lugs for diecast metal enclosures.  
Insulated and metal control station enclosures pre-fitted with Ø 22 units.  
Adjustable floor mounting pedestal (790 to 1143 mm) for sheet steel enclosures.  
Please call our Customer information centre on 0870 608 8 608.

# Control stations and enclosures

Control station enclosures: insulated, metal and flush mounting  
With cut-outs for Ø 22 mm control and signalling units



XAP-M1202H29

XAP-M2203H29



XAP-M2504H29



XAP-M4508H29



XB2-SL42009



XB2-SL64007

## Diecast metal enclosures (blue lid and base)

Description	Front face dimensions mm	Number of cut-outs	Number of rows		Reference	Weight kg
			vertical	horizontal		
Zinc alloy Usable depth 49 mm	80 x 80	1	1	1	XAP-M1201H29	0.455
		2	2	1	XAP-M1202H29	0.450
	80 x 130	2	1	2	XAP-M2202H29	0.610
3		1	3	XAP-M2203H29	0.605	
4		2	2	XAP-M2204H29	0.600	
80 x 175	3	1	3	XAP-M3203H29	0.870	
		4	1	4	XAP-M3204H29	0.880
	6	2	3	XAP-M3206H29	0.870	
Zinc alloy Usable depth 74.5 mm	80 x 80	1	1	1	XAP-M1501H29	0.605
		2	2	1	XAP-M1502H29	0.600
	80 x 130	2	1	2	XAP-M2502H29	0.810
3		1	3	XAP-M2503H29	0.815	
4		2	2	XAP-M2504H29	0.810	
80 x 175	3	1	3	XAP-M3503H29	1.145	
		4	1	4	XAP-M3504H29	1.140
	6	2	3	XAP-M3506H29	1.130	
80 x 220	6	1	6	XAP-M4506H29	1.380	
		8	2	4	XAP-M4508H29	1.370
Aluminium alloy Usable depth 74.5 mm	85 x 310	8	1	8	XAP-M5508H29	0.810
		12	2	6	XAP-M5512H29	0.790
Aluminium alloy Usable depth 78 mm	150 x 150	6	3	2	XB2-SL32009	0.970
		8	4	2	XB2-SL42009	0.960

## Diecast metal enclosures (yellow lid, blue base)

Zinc alloy Usable depth 49 mm	80 x 80	1	1	1	XAP-J1201H29	0.455
Zinc alloy Usable depth 74.5 mm	80 x 80	1	1	1	XAP-J1501H29	0.605

## Sheet steel enclosures

Usable depth 115 mm	200 x 200	8	4	2	XB2-SL42007	3.100
	200 x 260	16	4	4	XB2-SL44007	3.900
	260 x 260	24	6	4	XB2-SL64007	4.700
	260 x 320	30	6	5	XB2-SL65007	5.500
	320 x 320	40	8	5	XB2-SL85007	6.200

### Other versions

Insulated and metal control station enclosures with cut-outs for Ø 30 mm control and signalling units.  
Protective guards and fixing lugs for diecast metal enclosures.  
Insulated and metal control station enclosures pre-fitted with Ø 30 XB2-M units.  
Adjustable floor mounting pedestal (790 to 1143 mm) for sheet steel enclosures.  
Please call our Customer information centre on 0870 608 8 608.

# Control stations and enclosures

Control station enclosures: insulated, metal and flush mounting  
Undrilled or with cut-outs for Ø 22 mm control and signalling units



XAP-A1100

XAP-A2100



XAP-A3100



XAP-M11H29

XAP-M31H29



XAP-E301



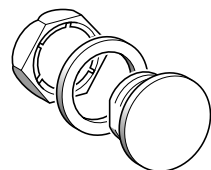
XAP-E302



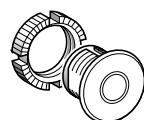
XAP-E303



XAP-E305



ZB2-SZ2

ZB2-SZ3  
ZB2-SZ4

## Insulated enclosures, undrilled

Description		Front face dimensions mm	Reference	Weight kg
Usable depth 83 mm	Without hinges	85 x 146	XAP-A1100	0.470
		85 x 226	XAP-A2100	0.600
	With hinges	151 x 241	XAP-A3100	0.860
		151 x 241	XAP-A4100	0.890
Earthing plates with earth screw	For XAP-A1100	–	XAP-Z100	0.080
	For XAP-A2100	–	XAP-Z200	0.130
	For XAP-A3100 and A4100	–	XAP-Z300	0.200

## Diecast metal enclosures, undrilled

Blue lid and base	Zinc alloy	80 x 80	XAP-M11H29	0.460	
	Usable depth 49 mm	80 x 130	XAP-M21H29	0.620	
		80 x 175	XAP-M31H29	0.900	
Zinc alloy	Usable depth 74.5 mm	80 x 80	XAP-M14H29	0.610	
		80 x 130	XAP-M24H29	0.830	
		80 x 175	XAP-M34H29	1.160	
		80 x 220	XAP-M44H29	1.410	
		Aluminium alloy	85 x 310	XAP-M54H29	0.850
Aluminium alloy	Usable depth 78 mm	150 x 150	XB2-SA220095	0.970	
Yellow lid, blue base	Zinc alloy	Usable depth 49 mm	80 x 80	XAP-J11H29	0.460
			80 x 80	XAP-J14H29	0.610
		Usable depth 74.5 mm	80 x 175	XAP-J34H29	1.160

## Flush mounting enclosures for Ø 22 mm control and signalling units

Description	Material	Number of cut-outs	Front face dimensions mm	Reference	Weight kg
Front plates with fixing screws	Anodised aluminium	1	72 x 72	XAP-E301	0.050
		2	72 x 105	XAP-E302	0.075
		3	72 x 138	XAP-E303	0.095
		4	72 x 171	XAP-E304	0.115
		5	72 x 204	XAP-E305	0.135
Protective rear covers	Insulated		For front plate XAP-E301	XAP-E901	0.040
			For front plate XAP-E302	XAP-E902	0.050
			For front plate XAP-E303	XAP-E903	0.060
			For front plate XAP-E304	XAP-E904	0.070
			For front plate XAP-E305	XAP-E905	0.080

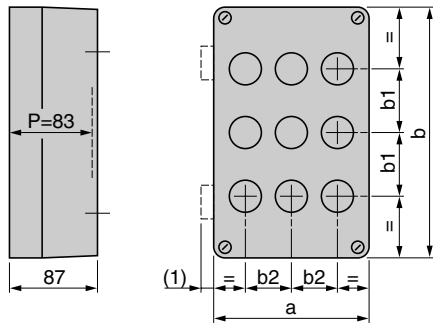
## Accessories

Blanking plugs with seal and fixing nut For cut-outs Ø 22.3 <sup>+0.4</sup> <sub>-0</sub> mm	Insulated	Black	ZB2-SZ3	0.005
		Grey	ZB2-SZ4	0.005
	Metal	Blue	ZB2-SZ2	0.020
Seal (degree of protection IP 65) (sold in lots of 7)		For mounting Ø 22 control and signalling units in DWG enclosures	ZB2-BZ004	0.001
Other versions	Protective guards and fixing lugs for diecast metal enclosures. Flush mounting enclosures, undrilled or with Ø 30 mm cut-outs. Flush mounting control station enclosures pre-fitted with Ø 22 mm units. Please call our Customer information centre on 0870 608 8 608.			

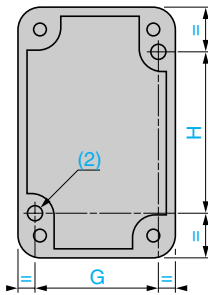
# Control stations and enclosures

Control station enclosures: insulated, metal and flush mounting  
With cut-outs for Ø 22 mm control and signalling units

## Insulated enclosures with cut-outs XAP-A



Fixing



XAP-	a	b	b1	b2	G	H
A1110	85	146	-	-	70	105
A1120	85	146	40	-	70	105
A1104	85	146	40	30	70	105
A2108	85	226	40	30	70	180
A3116, A4116	151	241	40	30	135	200

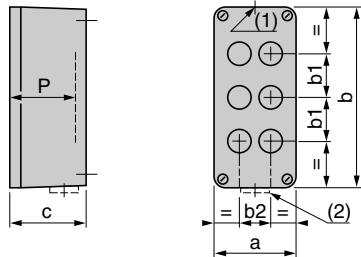
Drill cable entries to suit.

(1) 11 mm for XAP-A4 enclosures with hinges.

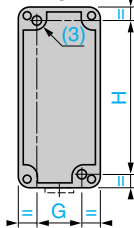
(2) 2 x Ø 5.6 mm holes, depth 12 mm.

P = Usable depth

## Diecast metal enclosures with cut-outs XAP-J, XAP-M



Fixing



XAP-	a	b	b1	b2	c	G	H	P
J1201H29	80	80	-	-	51.5	50	65	49
J1501H29	80	80	-	-	77	50	65	74.5
M1201H29	80	80	-	-	51.5	50	65	49
M1202H29	80	80	-	-	51.5	50	65	49
M1501H29	80	80	-	-	77	50	65	74.5
M1502H29	80	80	-	30	77	50	65	74.5
M2202H29	80	130	40	-	51.5	50	115	49
M2203H29	80	130	30	-	51.5	50	115	49
M2204H29	80	130	30	-	51.5	50	115	49
M2502H29	80	130	40	-	77	50	115	74.5
M2503H29	80	130	30	-	77	50	115	74.5
M2504H29	80	130	40	30	77	50	115	74.5
M3203H29	80	175	40	-	51.5	50	160	49
M3204H29	80	175	30	-	51.5	50	160	49
M3206H29	80	175	40	30	51.5	50	160	49
M3503H29	80	175	40	-	77	50	160	74.5
M3504H29	80	175	30	-	77	50	160	74.5
M3506H29	80	175	40	30	77	50	160	74.5
M4506H29	80	220	30	-	77	50	205	74.5
M4508H29	80	220	40	30	77	50	205	74.5
M5508H29	85	310	30	-	77	55	295	74.5
M5512H29	85	310	40	30	77	55	295	74.5

(1) 1 hole, without blanking plug, for 20 mm ISO cable gland, except:

- XAP-M3 enclosures: 25 mm ISO cable gland,
- XAP-M5 enclosures: 32 mm ISO cable gland.

(2) 1 hole, with blanking plug (protrusion 6 mm), for 20 mm ISO cable gland, except:

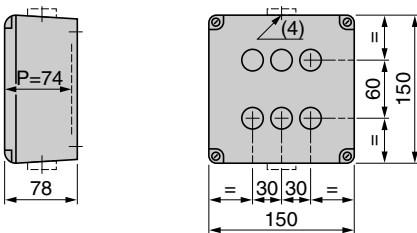
- XAP-M3 enclosures: 25 mm ISO cable gland,
- XAP-M4 enclosures and XAP-M5 enclosures: undrilled.

(3) 2 x Ø 5.6 mm holes, depth 20 mm.

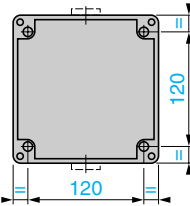
(4) 2 holes, with blanking plugs (protrusion 7.5 mm), for cable glands with 12 mm maximum clamping capacity.

P = Usable depth

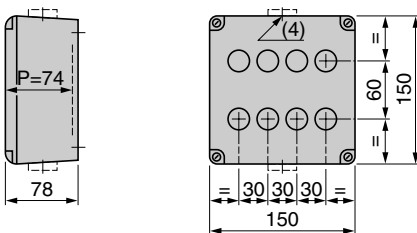
## XB2-SL32009



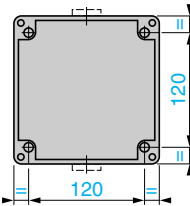
Fixing



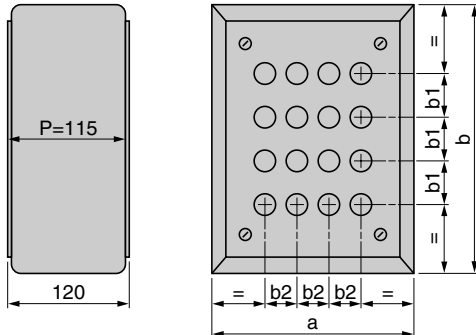
## XB2-SL42009



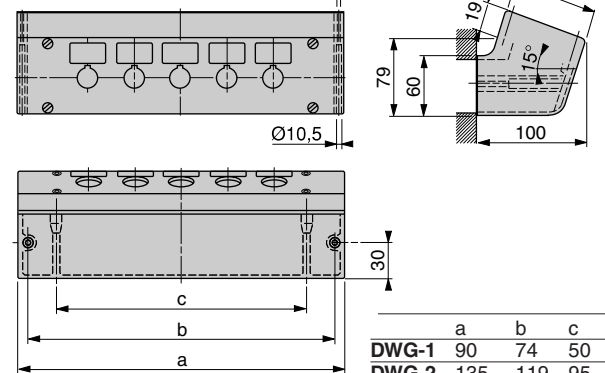
Fixing



## Sheet steel enclosures XB2-SL



## Elbowed enclosures DWG-●



XB2-	a	b	b1	b2
SL42007	200	200	40	30
SL44007	200	260	40	30
SL64007	260	260	40	30
SL65007	260	320	40	30
SL85007	320	320	40	30

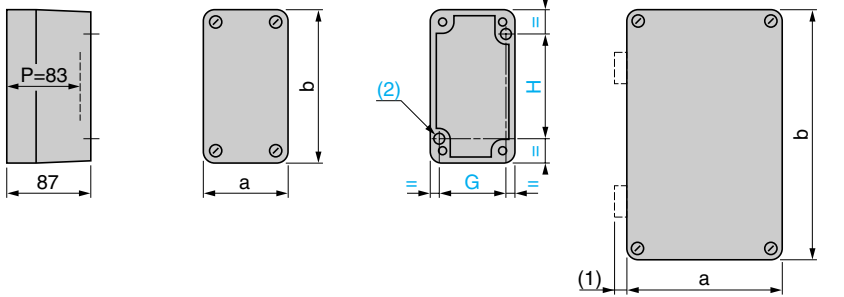
Enclosures supplied without fixing points or cable entries. In both cases, drill to suit. The enclosures are deep enough to accommodate all Ø 22 control and accommodate all Ø 22 control and signalling units.  
P = Usable depth

DWG-	a	b	c
DWG-1	90	74	50
DWG-2	135	119	95
DWG-3	180	164	140
DWG-4	180	164	140
DWG-5	225	209	185
DWG-6	290	274	230
DWG-7	290	274	230

# Control stations and enclosures

Control station enclosures: insulated, metal and flush mounting  
Undrilled and with cut-outs for Ø 22 mm control and signalling units

**Undrilled insulated enclosures**  
XAP-A1100, XAP-A2100

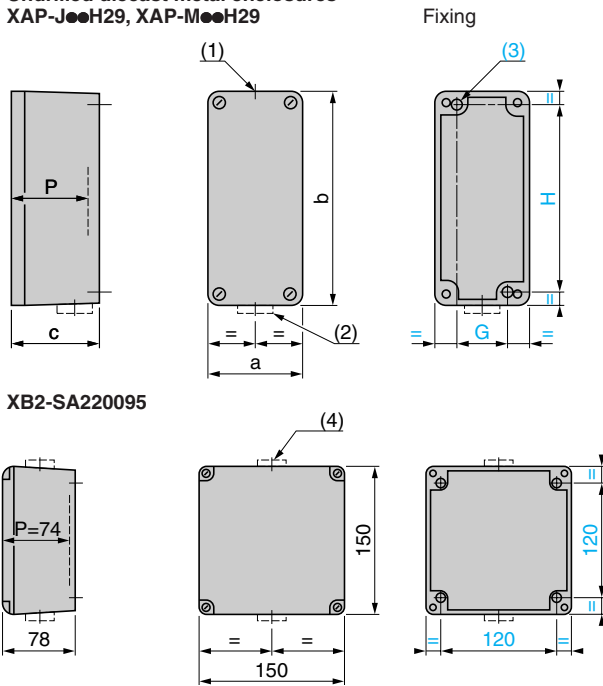


XAP-	a	b	G	H
A1100	85	146	70	105
A2100	85	226	70	180
A3100	151	241	135	200
A4100	151	241	135	200

Drill cable entries to suit.  
(1) 11 mm for XAP-A4... enclosures with hinges.  
(2) 2 x Ø 5.6 mm holes, depth 12 mm.

P = Usable depth

**Undrilled diecast metal enclosures**  
XAP-J...H29, XAP-M...H29



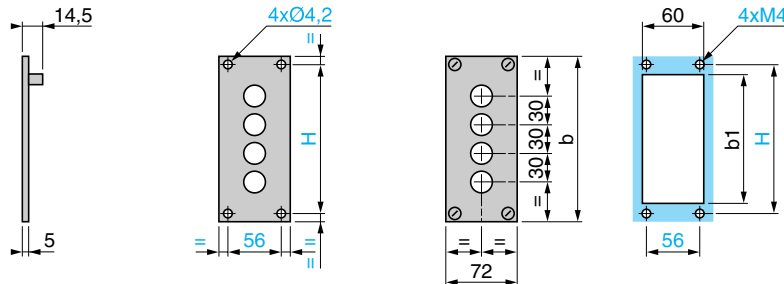
XAP-	a	b	c	G	H	P
J11H29	80	80	51.5	50	65	49
J14H29	80	80	77	50	65	74.5
J34H29	80	175	77	50	160	74.5
M11H29	80	80	51.5	50	65	49
M14H29	80	80	77	50	65	74.5
M21H29	80	130	51.5	50	115	49
M24H29	80	130	77	50	115	74.5
M31H29	80	175	51.5	50	160	49
M34H29	80	175	77	50	160	74.5
M44H29	80	220	77	50	205	74.5
M54H29	85	310	77	55	295	74.5

(1) 1 hole, without blanking plug, for 20 mm ISO cable gland, except:  
- XAP-J34H29, M3H291, M34H29 and M44H29: 25 mm ISO cable gland,  
- XAP-M54H29: 32 mm ISO cable gland.  
(2) 1 hole, with blanking plug (protrusion 6 mm), for 20 mm ISO cable gland, except:  
- XAP-J34H29, M31H29, M34H29: 25 mm ISO cable gland,  
- XAP-M44H29, M54H29: undrilled.  
(3) 2 x Ø 5.6 mm holes, depth 20 mm.  
(4) 2 holes, with blanking plugs (protrusion 7.5 mm), for cable glands with 12 mm maximum clamping capacity.

P = Usable depth

**Flush mounting enclosures**

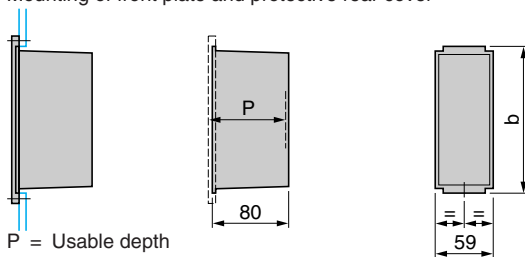
Front plates with cut-outs for Ø 22 mm control and signalling units  
XAP-E30●



For Ø 22 mm control and signalling units

Front plate			
XAP-	b	b1	H
E301	72	44	56
E302	105	77	89
E303	138	110	122
E304	171	143	155
E305	204	176	188

Mounting of front plate and protective rear cover



P = Usable depth

Protective rear cover for front plate XAP-E30●

XAP-	b	P
E901	52	82.5
E902	85	82.5
E903	118	82.5
E904	151	82.5
E905	184	82.5