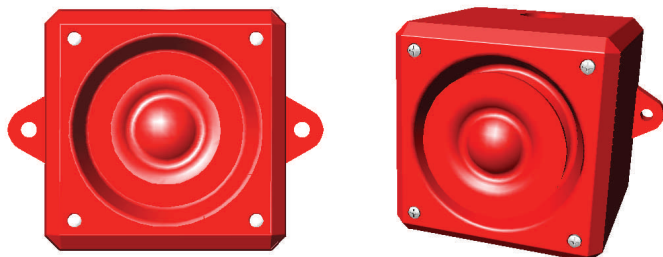


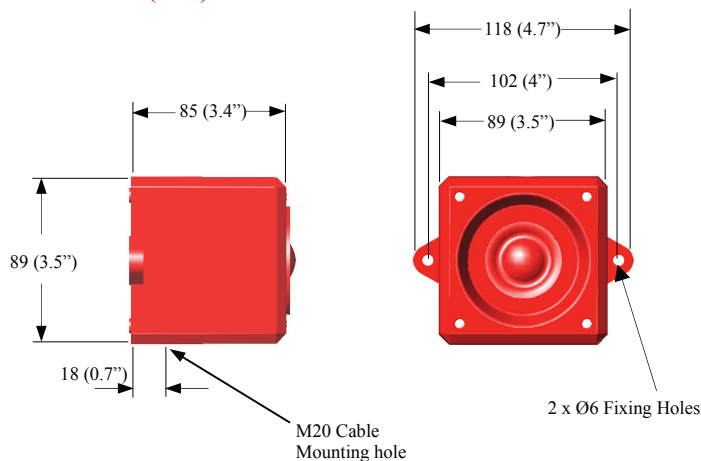


MAIN FEATURES

- 2 stage alarm
- 3 wire polarised DC (Not additional voltage option) & AC, or 2 wire bi-polar for DC only
- 3 wire AC second stage control
- Complies with BS 5839
- Flame retardant ABS plastic enclosure
- Stainless steel fixings
- Continuously rated
- 32 Selectable tones meeting international regulations
- Sound selection via 5 way DIL switch



DIMENSIONS (mm)

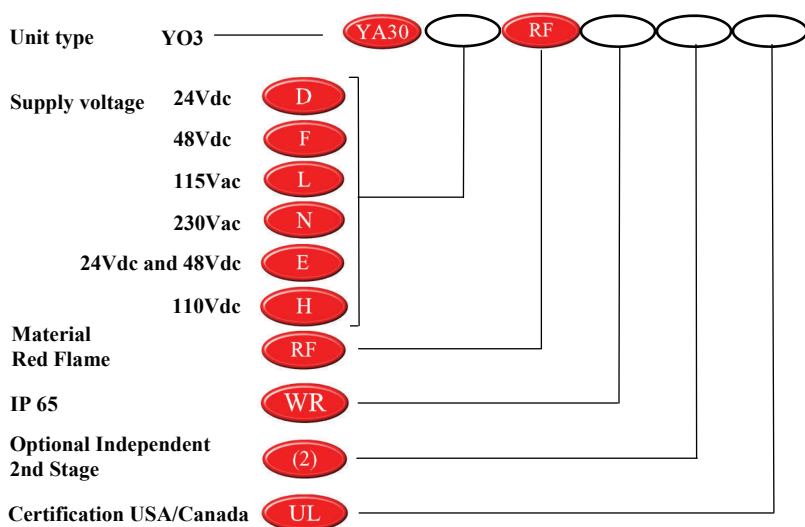


TECHNICAL SPECIFICATION

- Operating temperature range -25 to +55 deg C
- Storage temperature range -40 deg C to +70 deg C
- Operating voltage 24Vdc, 48Vdc
115Vac, 230Vac +/- 10%
- Additional voltage options (Sounders only)
24Vdc and 48Vdc (BT)
110Vdc
- Relative humidity 90% @ 40deg C
- Sound output 100dB(A) @ 1mtr
- Approx weight 0.24 Kg
- IP 54 rated std, IP 65 (WR) to order
- Volume control allowing 18dB(A) adjustment
- Minimum current consumption 20mA
- Optional independent 2nd stage via second DIL switch

All dimensions quoted are approximate only and subject to change without notice as are technical features resulting from continual development and improvement.

CONFIGURATOR



MOUNTING

The YO3 series alarm should be mounted to a reasonably flat wall or bulkhead of suitable material using the lugs projecting from the side of the case. The lugs are bored 6mm clearance on 102mm centres. The minimum recommended length of fixing screws is 25mm. To maintain the integrity of the weather seal, the cable must be fitted using a suitable sealed gland.

LINE MONITORING (DC ONLY) EXCLUDES ADDITIONAL VOLTAGE OPTIONS

- 3 Wire 2 stage or 2 wire single stage, monitor via reverse polarity
- 2 Wire 2 stage i.e. bi-polar inputs, monitor via threshold (applied voltage <1V)
End of line resistor. Minimum 3K3 ohm 0.5 watts, wire-wound or metal film type.

APPROVAL SPECIFICATION

UL 464
C22.2 No.205-M1983
BS EN 54-3 : 2001 incorporates amendment A1 : 2002

