



## PRODUCTS

CIN::APSE  
MICROMINIATURE  
D-SUB

### Filter D

[Introduction](#)  
[Features](#)  
[Technical Data](#)  
[Part Numbering](#)  
[Filter Adapter](#)  
[Technical Information](#)

### IDC

[Basic D](#)  
[Military D](#)  
[Accessories](#)

### OTHER TECHNOLOGY



## FILTER D TECHNICAL DATA

<b>Termination options</b>	Solder bucket, flow solder, Straight & 90°, Mini wrap.				
<b>Number of contacts</b>	9	15	25	27	50
<b>Maximum insertion and extraction force</b>	30	50	83	123	167N
<b>Performance level</b>	1, 2 & 3				
<b>Wire accommodation</b>	≤ 0.5mm (20AWG)				
<b>Plug contact material</b>	Copper alloy				
<b>Socket contact material</b>	Copper alloy				
<b>Current rating</b>	5A				
<b>Capacitance</b>	330pF Tol +50%-20%, 1000pF and 2000pF Tol +80%-20%				
<b>Working voltage</b>	200V d.c. or a.c. peak				
<b>Contact resistance</b>	5 X 10 <sup>-3</sup> ohm max.				
<b>Insulation resistance</b>	≥ 5 X 10 <sup>9</sup> ohm				
<b>Temperature range</b>	-25°C to +85°C				
<b>Insulator materials</b>	High impact Epoxy & GF Polyester UL94V-0 rated				
<b>Shell materials</b>	<b>Front:</b> Steel-Bright tin finish with grounding indents on plugs <b>Rear:</b> Electrolytic Nickel				

[Back](#) [Site Map](#) [Print](#)



## PRODUCTS

CIN::APSE  
MICROMINIATURE  
D-SUB

### Filter D

- Introduction
- Features
- Technical Data
- ▶ **Part Numbering**
- Filter Adapter
- Technical Information

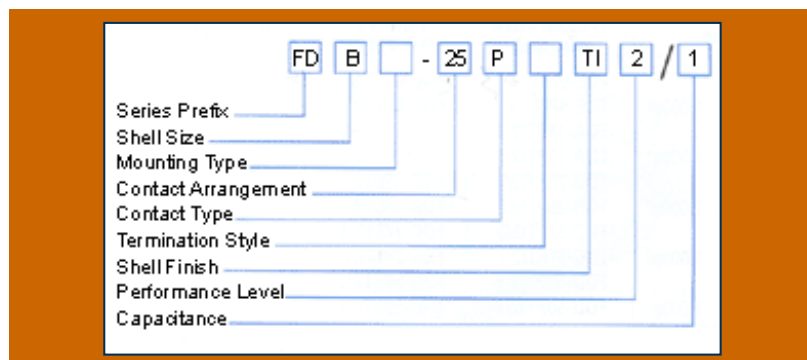
### IDC

- Basic D
- Military D
- Accessories

### OTHER TECHNOLOGY



## FILTER D PART NUMBERING



<b>Series Prefix</b>	<b>FD</b>	Filtered D (Standard Prefix)
<b>Shell Size</b>	<b>E,A,B,C, or D</b>	(All standard)
<b>Mounting Type</b>	<b>B</b>	4-40 rivnut for rear panel mounting (Standard)
	<b>P</b>	M3 rivnut for rear panel mounting
	<b>D</b>	With female screw locks fitted
	<b>E</b>	4-40 clinch-nut for rear panel mounting with locking feature for high vibration applications
	<b>Y</b>	Universal float mount
	<b>No designation</b>	Ø3.05mm mounting hole (Standard) 90° Flow Solder versions are not available with float mounts
<b>Contact Arrangement</b>	<b>9, 15, 25, 37, or 50</b>	(All standard)
<b>Contact Type</b>	<b>P or S</b>	(Both Standard)
<b>Termination Style</b>	<b>90° Flow Solder</b>	
<b>European Footprint</b>	<b>1A0N</b>	Without brackets
	<b>1A2N</b>	With plastic brackets and keeper moulding*
	<b>1AEN</b>	With earthing straps on plastic brackets (Standard) with keeper moulding*
	<b>1ASN</b>	With board locks, earthing straps, plastic (Standard) brackets and keeper moulding*
	* Please specify rivnuts or screw locks, mounting types B, P, or D (rivnuts Standard)	
<b>Straight Flow Solder</b>	<b>OL2</b>	Termination 0.6mm, 5.3mm long.
	<b>BL2</b>	As OL2 with vertical Board locks 4/40 threads.
<b>Solder Bucket</b>	<b>No designation required (Standard)</b>	
<b>Shell Finish</b>	<b>T</b>	Bright tin (Standard) Bright tin with grounding indents (plug only)
	<b>TI</b>	Nickel on rear shell (Standard)
<b>Performance Level</b>	<b>1</b>	Exceeds Din Class 2
	<b>2</b>	Din Class 2 (Standard)
	<b>3</b>	Exceed DIN Class 3



<b>Capacitance</b>	<b>1</b>	1000pF
	<b>2</b>	2000pF
	<b>3</b>	330pF

Custom of selectively loaded products available.  
Consult sales or office

---

[Back](#) [Site Map](#) [Print](#)



# PRODUCTS

CIN::APSE  
MICROMINIATURE  
D-SUB

## Filter D

- Introduction
- Features
- Technical Data
- Part Numbering
- ▶ **Filter Adaptor**
- Technical Information

IDC

Basic D

Military D

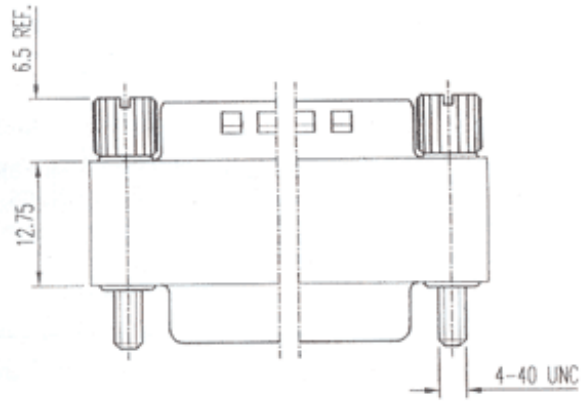
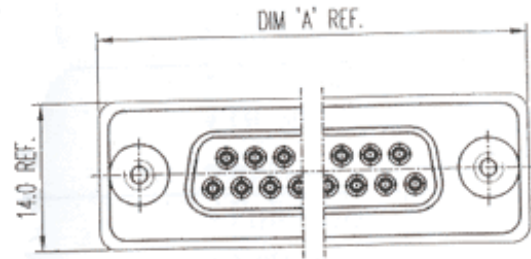
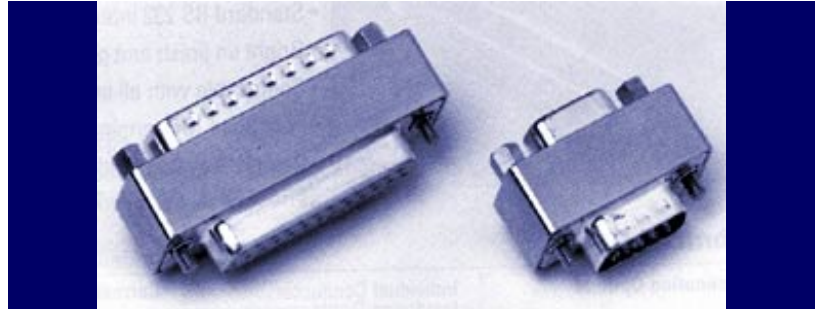
Accessories

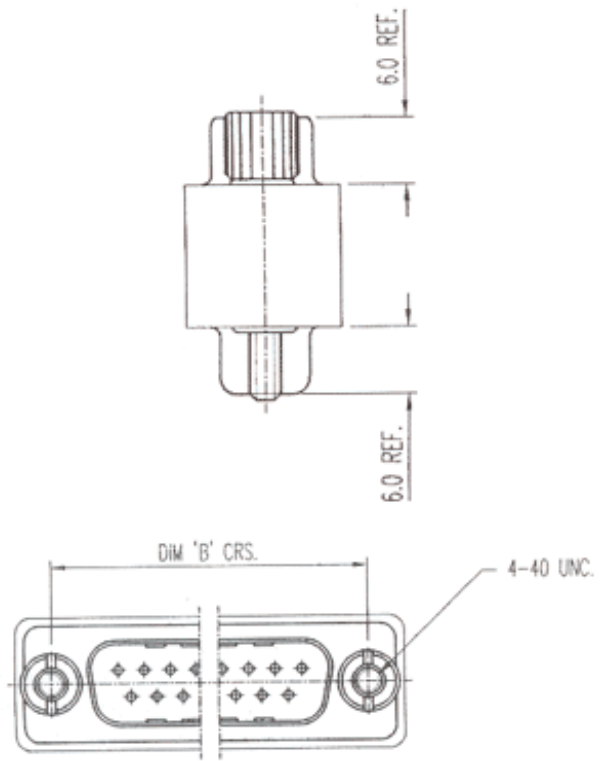
## OTHER TECHNOLOGY



## FILTER D FILTER ADAPTOR

Male / Female Filtering Adapter





[Back](#) [Site Map](#) [Print](#)



## PRODUCTS

CIN::APSE  
MICROMINIATURE  
D-SUB

### Filter D

- [Introduction](#)
- [Features](#)
- [Technical Data](#)
- [Part Numbering](#)
- [Filter Adapter](#)
- [Technical Information](#)

[IDC](#)

[Basic D](#)

[Military D](#)

[Accessories](#)

[OTHER TECHNOLOGY](#)



## FILTER D TECHNICAL INFORMATION

Part Number	Working Voltage	Proof Voltage	Capacitance To Ground	Capacitance Tolerance	Temperature Range	DIM "A" REF.	DIM "B" REF.
FA9 PS/1	200V *	500V	1000pF	+80% - 20%	-25°C to +85°C	32.7	24.99
FA9PS/3			330pF	+50% - 20%			
FA15 PS/1	200V *	500V	1000pF	+80% - 20%	-25°C to +85°C	41.0	33.32
FA15 PS/3			330pF	+50% - 20%			
FA25 PS/1	200V *	500V	1000pF	+80% - 20%	-25°C to +85°C	54.9	47.04
FA25 PS/3			330pF	+50% - 20%			
FA37 PS/1	200V *	500V	1000pF	+80% - 20%	-25°C to +85°C	71.2	63.50
FA37 PS/3			330pF	+50% - 20%			

\*DC or AC PEAK

**GENERAL SPECIFICATION - MECHANICAL, ELECTRICAL & ENVIRONMENTAL PERFORMANCE IN LINE WITH REQUIREMENTS OF DIN CLASS 2**

[Back](#) [Site Map](#) [Print](#)

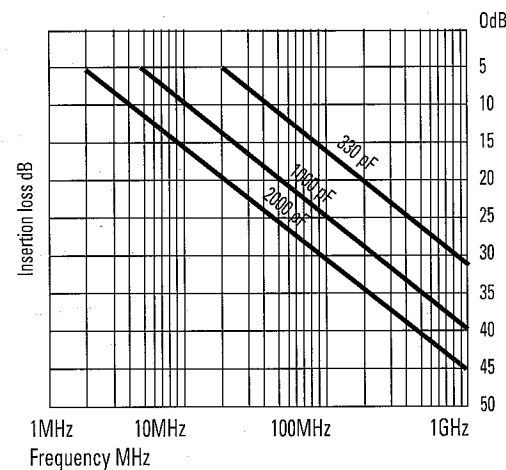


# FILTER D CONNECTORS

CINCH has been producing filter connectors for years and has acquired an in depth knowledge of EMC protection. CINCH offers fast delivery on a wide range of standard filtered connectors and will be your partner to design the product you need to meet European and FCC regulations.

## Features

- The Cinch Filter D Sub is a high quality turned pin contact connector.
- Tubular capacitors are individually inserted on each contact.
- The encapsulation of capacitors is made with epoxy for maximum resistance to hazardous environments.
- Cinch filter D Sub have the same size and footprint as standard D Sub connectors.
- Meets the relevant dimensional requirements of CECC 73301- 802, MIL-C 24308, DIN 41652, BS 9523 F0013, BT 217, HE501.
- Bright tin or nickel finish with grounding indent for EMI/RFI shielding.



Typical performance relates to 50 Ω system  
Mil -Std. - measured at 1 KHz 0.1 rms

- 1-1000 pF
- 2-2000 pF
- 3-330 pF

## Technical Data

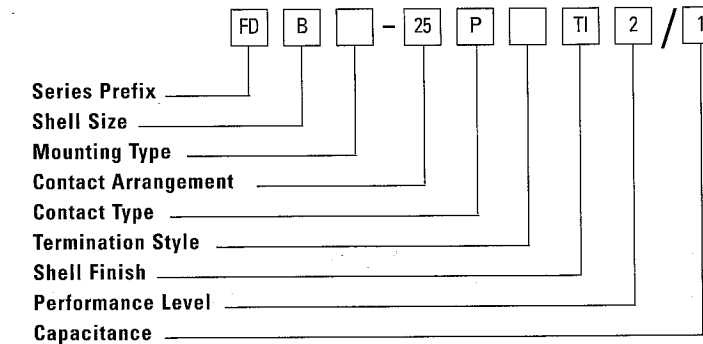
<b>Termination options</b>	Solder bucket, Flow solder, Straight & 90°, Mini wrap.
<b>Number of contacts</b>	9 15 25 27 50
<b>Maximum insertion and extraction force</b>	30 50 83 123 167N
<b>Performance level</b>	1,2 & 3
<b>Wire accomodation</b>	≤ 0,5 mm <sup>2</sup> (20 AWG)
<b>Plug contact material</b>	Copper alloy
<b>Socket contact material</b>	Copper alloy

<b>Current rating</b>	5A
<b>Capacitance</b>	330 pF Tol + 50% - 20%, 1000 pF and 2000pF Tol + 80% - 20%
<b>Working voltage</b>	200 V d.c. or a.c. peak
<b>Contact resistance</b>	5 x 10 <sup>-3</sup> Ω max
<b>Insulation resistance</b>	≥ 5 x 10 <sup>9</sup> Ω
<b>Temperature range</b>	- 40° to + 125°C
<b>Insulator materials</b>	High impact Epoxy & GF Polyester UL94V-0 rated
<b>Shell materials</b>	Front: Steel-Bright tin finish with grounding indents on plugs Rear: Electrolytic Nickel



# FILTER D CONNECTORS

## Part Numbering



<b>Series Prefix</b>	<b>FD</b> - Filtered D (Standard Prefix)
<b>Shell Size</b>	<b>E, A, B, C or D (All Standard)</b>
<b>Mounting Type</b>	<b>B</b> - 4-40 rivnut for rear panel mounting (Standard) <b>P</b> - M3 rivnut for rear panel mounting <b>D</b> - With female screw locks fitted <b>E</b> - 4-40 clinch-nut for rear panel mounting with locking feature for high vibration applications <b>F</b> - Float mount for rear panel mounting <b>Y</b> - Universal float mount
<b>No designation</b>	- Ø 3.05 mm mounting hole (Standard) 90° Flow Solder versions are not available with float mounts

<b>Contact Arrangement</b>	<b>9, 15, 25, 37 or 50 (All Standard)</b>
<b>Contact Type</b>	<b>P or S (Both Standard)</b>

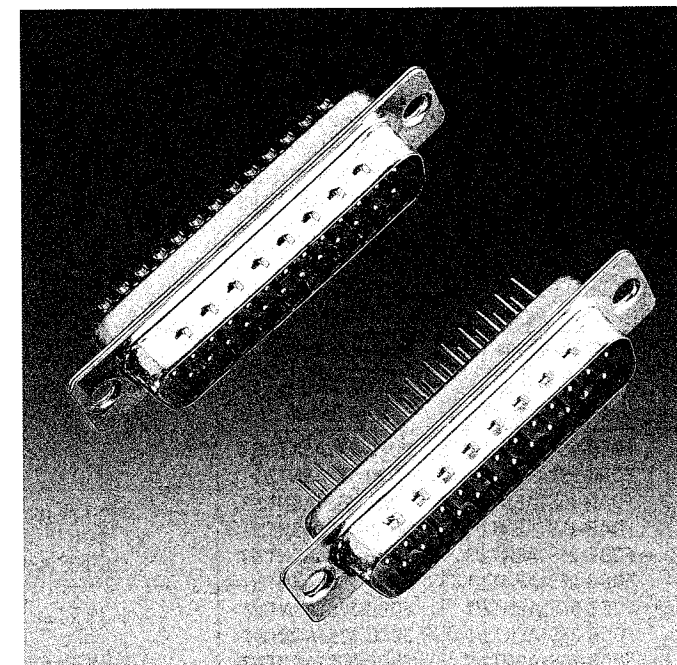
<b>Termination Style</b>	<b>90° Flow Solder</b>
<b>European Footprint</b>	<b>1A0N</b> - Without brackets (Standard) <b>1A2N</b> - With plastic brackets and keeper moulding <b>1AEN</b> - With earthing straps on plastic brackets (Standard) with keeper moulding* <b>1ASN</b> - With board locks, earthing straps, plastic (Standard) bracket and keeper moulding*
	*Please specify rivnuts or screw locks, mounting types B, P, or D (rivnuts Standard)

<b>Straight Flow Solder</b>	<b>OL2</b> - Termination 0.6 mm, 5.3 mm long (Standard) <b>BL2</b> - As OL2 with vertical Boardlocks 4/40 threads <b>F179A</b> - 0.61 mm square section pins for up to 3 wrap.
-----------------------------	--

<b>Solder Bucket No designation required (Standard)</b>	
<b>Shell Finish</b>	<b>T</b> - Bright tin (Standard) <b>TI</b> - Bright tin with grounding indents (plugs only) - Nickel on rear shell

(Standard)	
<b>Performance Level</b>	<b>1</b> - Exceeds Din Class 2 <b>2</b> - Din Class 2 (Standard) <b>3</b> - Exceeds DIN Class 3

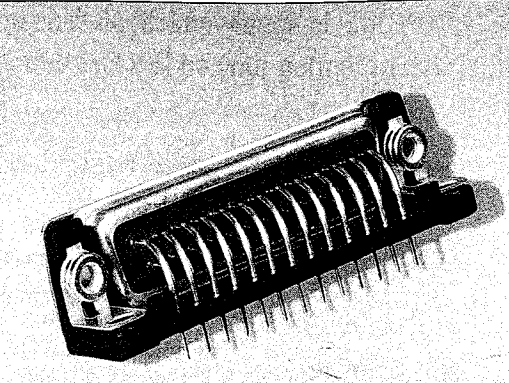
<b>Capacitance</b>	<b>1</b> - 1000 pF <b>2</b> - 2000 pF <b>3</b> - 330 pF
	Custom or selectively loaded products available. Consult sales office.





**Solder Bucket**

Number of Contacts	Performance Level	Capacitance Value		Plug		Socket	
				Tin/Nickel Indent Plated Shell	Tin/Nickel Plated Shell	Tin/Nickel Indent Plated Shell	Tin/Nickel Plated Shell
9	2	330pf	1,000pf	FDE-9PTI2/3	FDE-9ST2/3	FDE-9PTI2/1	FDE-9ST2/1
				FDA-15PTI2/3	FDA-15ST2/3		
15	2	330pf	1,000pf	FDB-25PTI2/3	FDB-25ST2/3	FDB-25PTI2/1	FDB-25ST2/1
				FDC-37PTI2/3	FDC-37ST2/3		
25	2	330pf	1,000pf	FDD-50PTI2/3	FDD-50ST2/3	FDD-50PTI2/1	FDD-50ST2/1
				FDC-37PTI2/1	FDC-37ST2/1		
37	2	330pf	1,000pf	FDE-9PTI2/3	FDE-9ST2/3	FDE-9PTI2/1	FDE-9ST2/1
				FDA-15PTI2/3	FDA-15ST2/3		
50	2	330pf	1,000pf	FDB-25PTI2/3	FDB-25ST2/3	FDB-25PTI2/1	FDB-25ST2/1
				FDC-37PTI2/3	FDC-37ST2/3		



**Straight PCB Mount**

Number of Contacts	Performance Level	Capacitance Value		Plug		Socket	
				Tin/Nickel Indent Plated Shell	Tin/Nickel Plated Shell	Tin/Nickel Indent Plated Shell	Tin/Nickel Plated Shell
9	2	330pf	1,000pf	FDE-9POL2TI2/3	FDE-9PBL2TI2/3	FDE-9SOL2T2/3	FDE-9SBL2T2/3
				FDA-15POL2TI2/3	FDA-15PBL2TI2/3		FDA-15SOL2T2/3
15	2	330pf	1,000pf	FDB-25POL2TI2/3	FDB-25PBL2TI2/3	FDB-25SOL2T2/3	FDB-25SBL2T2/3
				FDC-37POL2TI2/3	FDC-37PBL2TI2/3		FDC-37SOL2T2/3
25	2	330pf	1,000pf	FDD-50POL2TI2/3	FDD-50PBL2TI2/3	FDD-50SOL2T2/3	FDD-50SBL2T2/3
				FDC-37POL2TI2/1	FDC-37PBL2TI2/1		FDC-37SOL2T2/1
37	2	330pf	1,000pf	FDE-9POL2TI2/3	FDE-9PBL2TI2/3	FDE-9SOL2T2/3	FDE-9SBL2T2/3
				FDA-15POL2TI2/3	FDA-15PBL2TI2/3		FDA-15SOL2T2/3
50	2	330pf	1,000pf	FDB-25POL2TI2/3	FDB-25PBL2TI2/3	FDB-25SOL2T2/3	FDB-25SBL2T2/3
				FDC-37POL2TI2/3	FDC-37PBL2TI2/3		FDC-37SOL2T2/3

**90° PCB - Plug**

Number of Contacts	Performance Level	Capacitance Value		Open Frame		Earthing Straps		Snap In Boardlock	
				Tin/Nickel Indent Plated Shell	Tin Indent Shell 4-40 Rivnut	Tin Indent Shell 4-40 Rivnut	Tin Indent Shell 4-40 Rivnut		
9	2	330pf	1,000pf	FDE-9P1AONTI2/3	FDEB-9P1AENTI2/3	FDEB-9P1AENTI2/1	FDEB-9P1ASNTI2/3	FDEB-9P1ASNTI2/1	
				FDA-15P1AONTI2/3	FDAB-15P1AENTI2/3		FDAB-15P1ASNTI2/3		
15	2	330pf	1,000pf	FDB-25P1AONTI2/3	FDBB-25P1AENTI2/3	FDBB-25P1AENTI2/1	FDBB-25P1ASNTI2/3	FDBB-25P1ASNTI2/1	
				FDC-37P1AONTI2/3	FDCB-37P1AENTI2/3		FDCB-37P1ASNTI2/3		
25	2	330pf	1,000pf	FDD-50P1AONTI2/3	FDDB-50P1AENTI2/3	FDDB-50P1AENTI2/1	FDDB-50P1ASNTI2/3	FDDB-50P1ASNTI2/1	
				FDC-37P1AONTI2/1	FDCB-37P1AENTI2/1		FDCB-37P1ASNTI2/1		
37	2	330pf	1,000pf	FDE-9P1AONTI2/3	FDEB-9P1AENTI2/3	FDEB-9P1AENTI2/1	FDEB-9P1ASNTI2/3	FDEB-9P1ASNTI2/1	
				FDA-15P1AONTI2/3	FDAB-15P1AENTI2/3		FDAB-15P1ASNTI2/3		
50	2	330pf	1,000pf	FDB-25P1AONTI2/3	FDBB-25P1AENTI2/3	FDBB-25P1AENTI2/1	FDBB-25P1ASNTI2/3	FDBB-25P1ASNTI2/1	
				FDC-37P1AONTI2/3	FDCB-37P1AENTI2/3		FDCB-37P1ASNTI2/3		

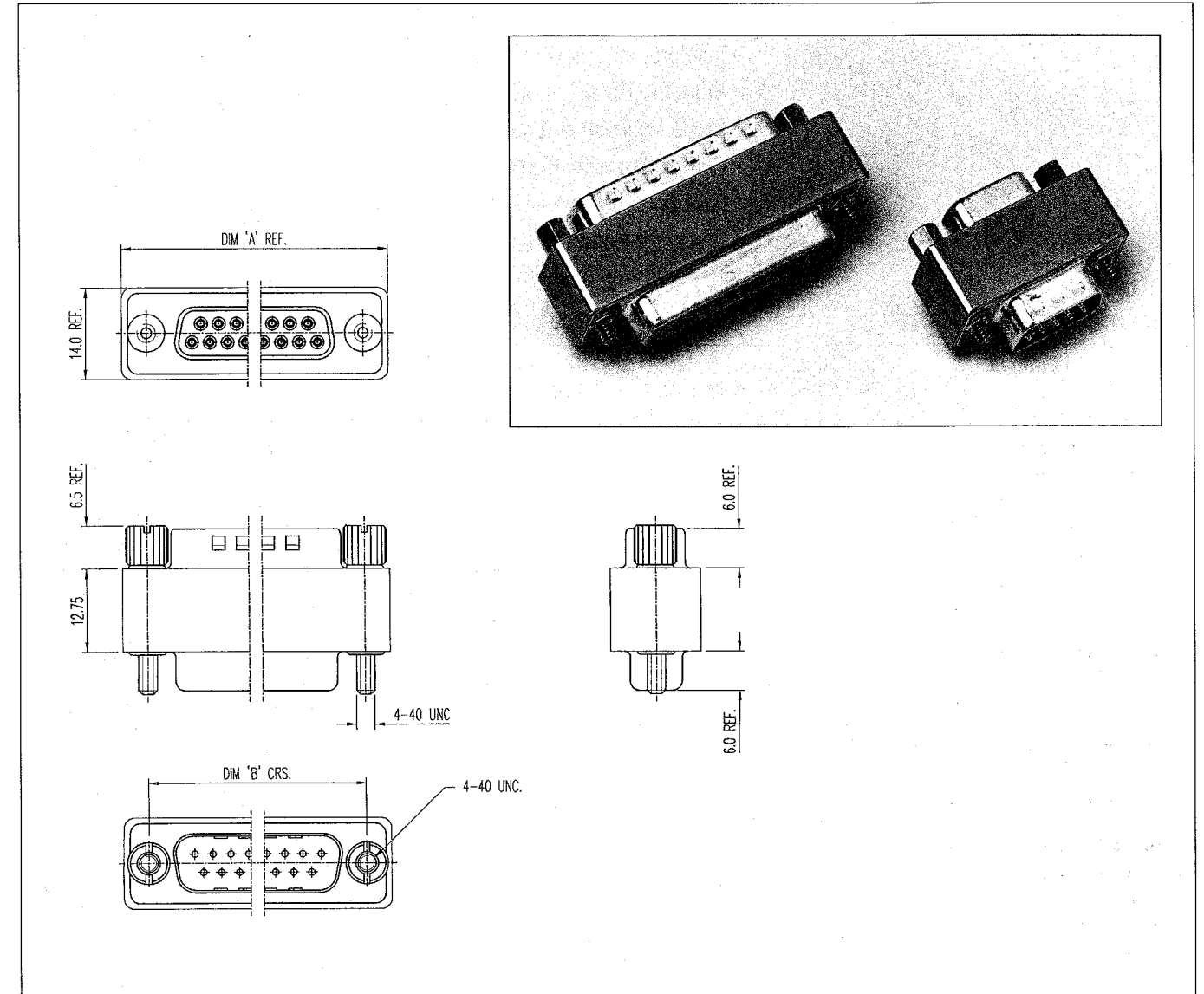
**90° PCB - Socket**

Number of Contacts	Performance Level	Capacitance Value		Open Frame		Earthing Straps		Snap In Boardlock	
				Tin/Nickel Plated Shell	Tin Shell 4-40 Rivnut	Tin Shell 4-40 Rivnut			
9	2	330pf	1,000pf	FDE-9S1AONT2/3	FDEB-9S1AENT2/3	FDEB-9S1AENT2/1	FDEB-9S1ASNT2/3	FDEB-9S1ASNT2/1	
				FDA-15S1AONT2/3	FDAB-15S1AENT2/3		FDAB-15S1ASNT2/3		
15	2	330pf	1,000pf	FDB-25S1AONT2/3	FDBB-25S1AENT2/3	FDBB-25S1AENT2/1	FDBB-25S1ASNT2/3	FDBB-25S1ASNT2/1	
				FDC-37S1AONT2/3	FDCB-37S1AENT2/3		FDCB-37S1ASNT2/3		
25	2	330pf	1,000pf	FDD-50S1AONT2/3	FDDB-50S1AENT2/3	FDDB-50S1AENT2/1	FDDB-50S1ASNT2/3	FDDB-50S1ASNT2/1	
				FDC-37S1AONT2/1	FDCB-37S1AENT2/1		FDCB-37S1ASNT2/1		
37	2	330pf	1,000pf	FDE-9S1AONT2/3	FDEB-9S1AENT2/3	FDEB-9S1AENT2/1	FDEB-9S1ASNT2/3	FDEB-9S1ASNT2/1	
				FDA-15S1AONT2/3	FDAB-15S1AENT2/3		FDAB-15S1ASNT2/3		
50	2	330pf	1,000pf	FDB-25S1AONT2/3	FDBB-25S1AENT2/3	FDBB-25S1AENT2/1	FDBB-25S1ASNT2/3	FDBB-25S1ASNT2/1	
				FDC-37S1AONT2/3	FDCB-37S1AENT2/3		FDCB-37S1ASNT2/3		

**FILTER ADAPTOR**



**Male / Female Filtering Adaptor**



**Technical, Part Numbering Information**

	Working Voltage	Proof Voltage	Capacitance To Ground	Capacitance Tolerance	Temperature Range	DIM "A" REF.	DIM "B" REF.
FA 9 PS/1	200V DC OR AC PEAK	500V	1000 pF	+80% - 20%	- 40° +125°C	32.7	24.99
FA 9 PS/3			330 pF	+50% - 20%			
FA 15 PS/1	200V DC OR AC PEAK	500V	1000 pF	+80% - 20%	- 40° +125°C	41.0	33.32
FA 15 PS/3			330 pF	+50% - 20%			
FA 25 PS/1	200V DC OR AC PEAK	500V	1000 pF	+80% - 20%	- 40° +125°C	54.9	47.04
FA 25 PS/3			330 pF	+50% - 20%			
FA 37 PS/1	200V DC OR AC PEAK	500V	1000 pF	+80% - 20%	- 40° +125°C	71.2	63.50
FA 37 PS/3			330 pF	+50% - 20%			

GENERAL SPECIFICATION - MECHANICAL, ELECTRICAL & ENVIROMENTAL PERFORMANCE IN LINE WITH REQUIREMENTS OF DIN CLASS 2