



Hosiden Besson Ltd
 St. Joseph's Close
 Brighton & Hove
 East Sussex BN3 7EZ
 England
 Tel: +44 1273 861166
 Fax: +44 1273 777501
 Email: info@hbl.co.uk
 www.hbl.co.uk

product release

Flashtone^{MT} Multi-Tone Sounder / Beacon

- EN54 part 3* approved LPC + VdS
- Ultra low current consumption
- 32 user selectable tones
- Choice of 3 volume levels
- Rated IP66 or IP45
- Installation via side & rear cable entry
- Easy push & twist lockable bayonet mounting
- Temperature range from -40 to +70°C
- Simple in & out wiring blocks offering continuous override and dual signalling
- Full range of accessories & colours available

The Flashtone^{MT} combines the modern traits of the Banshee^{MT} multi-tone sounder with the very latest strobe technology to create an extremely efficient Zenon Beacon/sounder combination. Available in a wide range of colours, the Flashtone^{MT} will suit the majority of fire and security needs where conventional sound requires the backup of a visual alarm.

Manufactured in flame retardant polymer in a choice of and lens colours, the Flashtone^{MT} is suitable for many applications and environments.

Designed and constructed by utilising the easy push and twist bayonet fitting, the Flashtone^{MT} can be mounted on a common bracket used on the Banshee Multitone.



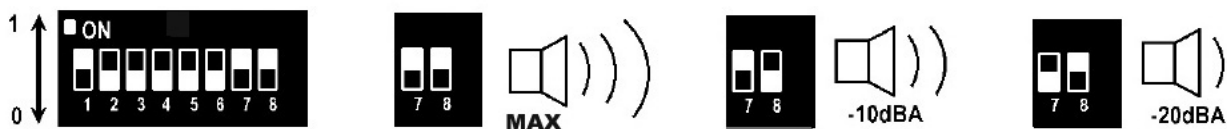
Product Order no:

8571000/HB Red / Red Std Base	8571050/HB Red / Red Deep Base	8571100/HB Red / Clear Std Base
8571150/HB Red / Clear Deep Base	8571200/HB Red / Amber Std Base	8571250/HB Red / Amber Deep Base
8571300/HB Red / Blue Std Base	8571350/HB Red / Blue Deep Base	8571400/HB Red / Green Std Base
8571450/HB Red / GreenDeep Base	8571500/HB White / Red Std Base	8571550/HB White / Red Deep Base
8571600/HB White / Clear Std Base	8571650/HB White / Clear Deep Base	8571700/HB White / Amber Std Base
8571750/HB White / Amber Deep Base	8571800/HB White / Blue Std Base	8571850/HB White / Blue Deep Base
8571900/HB White / Green Std Base	8571950/HB White / Green Deep Base	

*Pending

Flashtone^{MT} Multi-Tone Sounder / Beacon

Switch bank



Sound selection 1 to 5, output level 7 & 8, 6 not used

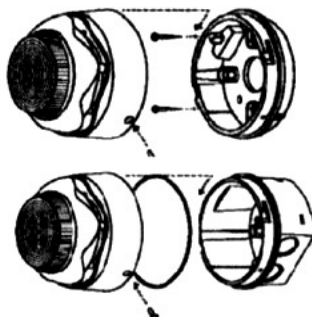
INSTALLATION

ANLAGE

INSTALACIÓN

INSTALLAZIONE

MONTAGE



WIRING

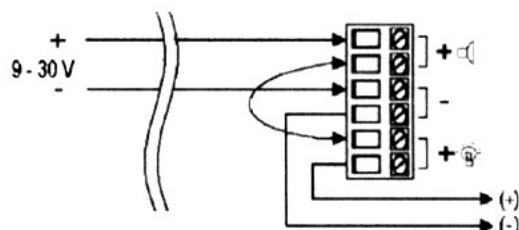
CÂBLAGE

VERDRÄHTUNG

CABLEADO

COLLEGAMENTI

INSTELLINGEN



Flasher Information: Flash rate: 1/sec Current @ 12V: 90mA Current @ 24V: 40mA

Tone Information		Banshee 12v			Banshee 24v			
No.	Description	Frequency and Timing	2nd tone	dBA (Typ)	mA (Typ)	dBA (Typ)	mA (Typ)	12345
1	Banshee LF Buzz	800Hz to 950Hz swept at 120Hz*	4	94	6	100	12	00000
2	Banshee LF Fast Sweep	800Hz to 950Hz swept at 9Hz*	4	94	6	100	12	10000
3	Banshee LF Slow Sweep	800Hz to 950Hz swept at 3Hz*	4	94	6	100	12	01000
4	Banshee LF Continuous	Continuous at 850Hz*	4	95	6	101	12	11000
5	Banshee LF Fast Sweep (New)	830Hz to 970Hz swept at 9Hz*	4	95	6	101	12	00100
6	Medium Sweep LF	800Hz to 970Hz swept at 1Hz*	7	95	6	102	12	10100
7	Continuous LF	Continuous at 970Hz*	7	97	6	103	12	01100
8	Backup Alarm LF	Intermittant at 950Hz 1s on, 1s off*	4	97	4	103	7	11100
9	Alternate LF	Alternating 800Hz/1000Hz, 0.5s each sound*	4	94	8	101	14	00010
10	Medium Sweep LF	800Hz/1000Hz swept at 0.5s*	4	95	5	101	12	10010
11	Alternate LF	Alternating tones 800/950Hz*	4	96	6	103	14	01010
12	Banshee/Bedlam HF buzz	2400Hz to 2900Hz at 120Hz	15	102	12	110	25	11010
13	Banshee/Bedlam HF Fast Sweep	2400Hz to 2900Hz at 9Hz	15	103	12	110	25	00110
14	Banshee/Bedlam HF Slow Sweep	2400Hz to 2900Hz at 3Hz	15	103	12	110	25	10110
15	Banshee/Bedlam HF Continuous	Continuous 2900Hz at 3Hz	15	105	12	112	30	01110
16	Banshee/Bedlam HF Fast Sweep (New)	2450Hz to 3100Hz swept at 9Hz	15	103	12	110	25	11110
17	Backup Alarm LF	Intermittant at 2900Hz 1s on, 1s off	15	105	7	112	15	00001
18	Alternate LF	Alternating tones 2400/2900Hz at 3Hz	15	104	12	110	25	10001
19	Slow Whoop	500Hz rising to 1200Hz over 3.5, silence 0.5s, repeat	4	96	6	101	12	01001
20	Din Tone (DK)	1200Hz falling to 500Hz over 1s, silence 10ms, repeat	4	93	6	101	14	11001
21	French Fire Sound	554Hz for 100ms and 440Hz for 400ms	4	90	5	96	10	00101
22	Australian Alert Signal	420Hz repeating 0.625s on, 0.625s off	4	88	3	94	6	10101
23	Australian Evacuation Signal	500Hz rising to 1200Hz over 3.75s on, 0.25s off	4	96	6	103	12	01101
24	US Temporal Tone LF	950Hz for 0.5s on 0.5s off, for 3 phases, silence for 1.5s & repeat	4	96	3	103	6	11101
25	US Temporal Tone HF	2900Hz for 0.5s on 0.5s off, for 3 phases, silence for 1.5s & repeat	15	105	6	112	12	00011
26	Swedish Tone (Fire)	Intermittant 660Hz 150ms on, 150ms off	26	81	4	87	7	10011
27	Swedish Tone (All Clear)	Continuous 660Hz	27	84	5	89	14	01011
28	ISO8201 LF	Intermittant 970Hz 500ms on, 500ms off*	28	96	4	103	7	11011
29	ISO8201 HF	Intermittant 2900Hz 500ms on, 500ms off	29	106	8	112	15	00111
30	BT Banshee (FP1063.1)	Yodel 800Hz/1000Hz, 0.25s each frequency*	31	93	8	101	14	10111
31	BT Banshee (FP1063.1)	Continuous 1000Hz*	31	95	8	102	17	01111
32	Bell Tone	Bell Tone*	32	96	8	101	17	11111

*Tone meets frequency requirements of BS 5839 pt. 1 1988