

XC6206 Series

Low ESR Cap. Compatible, Positive Voltage Regulators



June 18, 2004 V6

- CMOS Low Power Consumption
- Dropout Voltage 160V @ 100mA
400mV @ 200mA
- Output Current more than 250mA <5.0V type>
- Highly Accurate $\pm 2\%$
- Output Voltage Range 1.2V to 5.0V
- Current Limiter Circuit Built-in
- Low ESR Ceramic Capacitor Compatible

■ APPLICATIONS

- Battery powered equipment
- Reference voltage sources
- Cameras, Video cameras
- Portable AV systems
- Mobile phones
- Communication tools
- Portable games

■ GENERAL DESCRIPTION

The XC6206 series are precise, low power consumption, high voltage, positive voltage regulators manufactured using CMOS and laser trimming technologies. The series provides large currents with a significantly small dropout voltage.

The XC6206 series consists of a current limiter circuit, a driver transistor, a precision reference voltage and an error correction circuit.

The series is compatible with low ESR ceramic capacitors.

The current limiter's foldback circuit also operates as a short protect for the output current limiter and the output pin.

Output voltage can be set internally by laser trimming technologies. It is selectable in 100mV increments within a range of 1.2V to 5.0V.

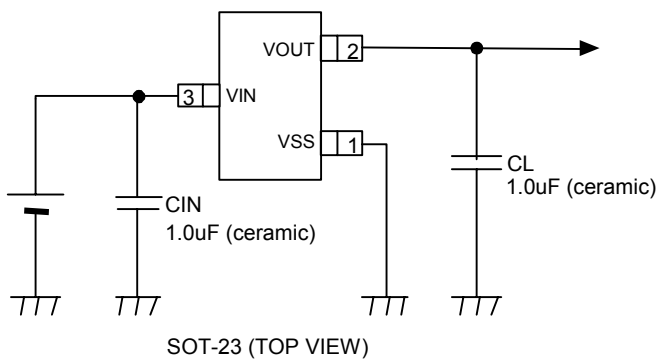
SOT-23, SOT-89, TO-92 and USP-6B packages are available.

■ FEATURES

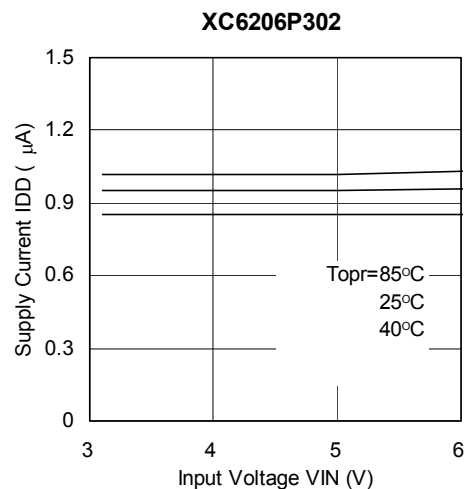
Maximum Output Current	250mA (5.0V type)
Dropout Voltage	160mV@100mA (5.0V type)
Maximum Operating Voltage	6.0V
Output Voltage Range	1.2V to 5.0V (100mV increments)
Highly Accurate	$\pm 2\%$
Low Power Consumption	1.0 μ A (TYP.)
Operational Temperature Range	- 40°C to 85°C
Ultra Small Packages	SOT-23 SOT-89 USP-6B TO-92

Low ESR ceramic capacitor compatible

■ TYPICAL APPLICATION CIRCUIT



■ TYPICAL PERFORMANCE CHARACTERISTICS

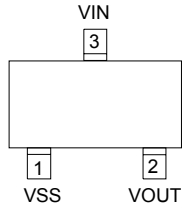


XC6206 Series

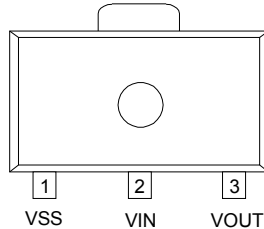
Low ESR Cap. Compatible, Positive Voltage Regulators



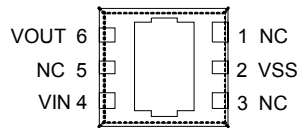
PIN CONFIGURATION



SOT-23
(TOP VIEW)

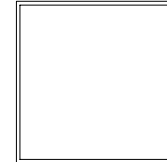


SOT-89
(TOP VIEW)

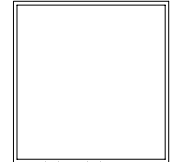


USP-6B
(BOTTOM VIEW)

* Please do not connect a heat dissipation pad to the circuitry. If the pad needs to be connected to other pins, it should be noted that the pin configuration of the USP-6B package is different depending on the IC series.



VSS VIN VOUT
TO-92, T type
(TOP VIEW)



VIN VSS VOUT
TO-92, L type
(TOP VIEW)

PIN ASSIGNMENT

PIN NUMBER					PIN NAME	FUNCTIONS
SOT-23	SOT-89	TO-92 (T)	TO-92 (L)	USP-6B		
1	1	1	2	2	VSS	Ground
3	2	2	1	4	VIN	Power Input
2	3	3	3	6	VOUT	Output
-	-	-	-	1, 3, 5	NC	No Connection

PRODUCT CLASSIFICATION

Ordering Information

XC6206P ①②③④⑤

DESIGNATOR	DESCRIPTION	SYMBOL	DESCRIPTION
① ②	Output Voltage	Integer	ex.) VOUT = 3.0V ⇔ ② = 3, ③ = 0
③	Output Accuracy	2	+2.0% ⇔ ④ = 2
④	Packages	M	SOT-23
		P	SOT-89
		D	USP-6B
		T	TO-92 (Standard)
		L	TO-92 (Custom pin configuration)
⑤	Taping Direction	R	Embossed tape, standard feed
		L	Embossed tape, reverse feed
		H	Fanfold paper type (TO-92)
		B	Bulk, bag (TO-92)

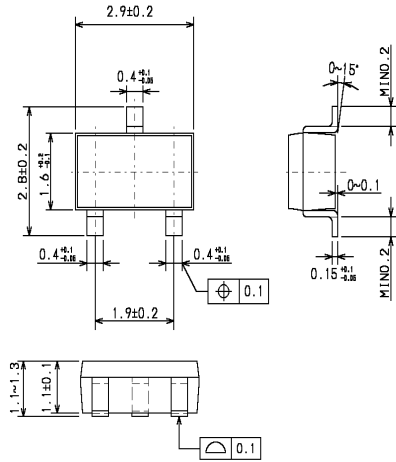
XC6206 Series

Low ESR Cap. Compatible, Positive Voltage Regulators

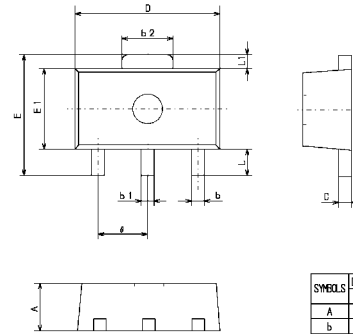


PACKAGING INFORMATION

○ SOT-23

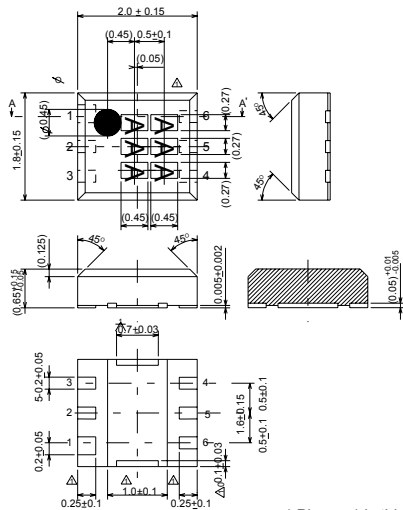


○ SOT-89



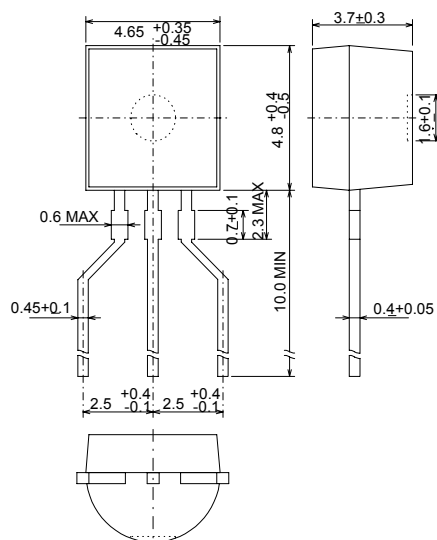
SYMBOL	DIMENSIONS IN MILLIMETERS		
	MIN	NEW	MAX
A	1.40	1.50	1.60
b	0.36	0.42	0.48
b1	0.41	0.47	0.53
b2	1.40	1.60	1.75
C	0.38	0.40	0.43
D	4.40	4.50	4.60
E	—	—	4.25
E1	2.40	2.50	2.60
e	1.40	1.50	1.60
L	0.80	—	—
L1	—	0.40	—

○ USP-6B

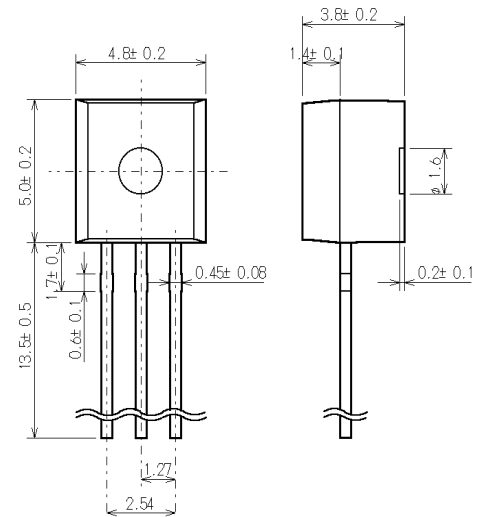


* Pin no. 1 is thicker than other pins.

○ TO-92 (Fanfold paper type :TH&LH)



○ TO-92 (Bulk, Bag : TB&LB)

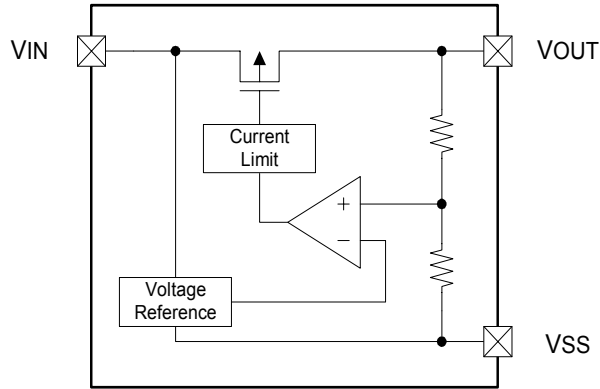


XC6206 Series

Low ESR Cap. Compatible, Positive Voltage Regulators



■ BLOCK DIAGRAM

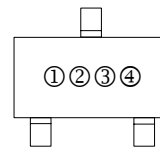


■ MARKING RULE

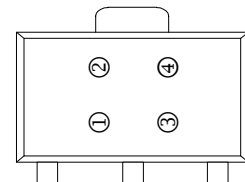
○ SOT-23 & SOT-89

① Represents product series

SYMBOL	PRODUCT SERIES
6	XC6206Pxxxxx



SOT-23 (TOP VIEW)



SOT-89 (TOP VIEW)

② Represents three pins regulator

SYMBOL		PRODUCT SERIES
VOLTAGE : 0.1 ~ 3.0V	VOLTAGE : 3.1 ~ 6.0V	
5	6	XC6206Pxxxxx

③ Represents output voltage

SYMBOL	OUTPUT VOLTAGE			SYMBOL	OUTPUT VOLTAGE		
0	-	3.1	-	F	1.6	4.6	-
1	-	3.2	-	H	1.7	4.7	-
2	-	3.3	-	K	1.8	4.8	-
3	-	3.4	-	L	1.9	4.9	-
4	-	3.5	-	M	2.0	5.0	-
5	-	3.6	-	N	2.1	-	-
6	-	3.7	-	P	2.2	-	-
7	-	3.8	-	R	2.3	-	-
8	-	3.9	-	S	2.4	-	-
9	-	4.0	-	T	2.5	-	-
A		4.1	-	U	2.6	-	-
B	1.2	4.2	-	V	2.7	-	-
C	1.3	4.3	-	X	2.8	-	-
D	1.4	4.4	-	Y	2.9	-	-
E	1.5	4.5	-	Z	3.0	-	-

④ Represents production lot number

0 to 9, A to Z, reversed character of 0 to 9 and A to Z repeated. (G, I, J, O, Q, W excepted)

XC6206 Series

Low ESR Cap. Compatible, Positive Voltage Regulators



MARKING RULE (Continued)

○ TO-92

① Represents product series

SYMBOL	PRODUCT SERIES
P	XC6206PxxxTx

②③ Represents output voltage

SYMBOL		OUTPUT VOLTAGE	PRODUCT SERIES
②	③		
3	3	3.3	XC6206P33xTx
5	0	5.0	XC6206P50xTx

④ Represents detect voltage accuracy

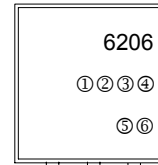
SYMBOL	DETECT VOLTAGE ACCRACY	PRODUCT SERIES
1	Within $\pm 1\%$	XC6206Pxx1Tx
2	Within $\pm 2\%$	XC6206Pxx2Tx

⑤ Represents a least significant digit of the produced year

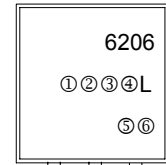
SYMBOL	YEAR
0	2000
1	2001
2	2002
3	2003
4	2004

⑥ Represents the production lot number

0 to 9, A to Z, repeated. (G, I, J, O, Q, W excepted)
* No character inversion is used.



TO-92, T type
(TOP VIEW)

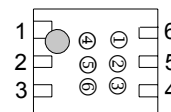


TO-92, L type
(TOP VIEW)

○ USP-6B

①② Represents product series

SYMBOL		PRODUCT SERIES
①	②	
0	6	XC6206PxxxDx



USP-6B (TOP VIEW)

③ Represents three pins regulator

SYMBOL	TYPE	PRODUCT SERIES
P	Three pins regulator	XC6206PxxxDx

④⑤ Represents output voltage

SYMBOL		OUTPUT VOLTAGE (V)	PRODUCT SERIES
④	⑤		
3	3	3.3	XC6206P33xDx
5	0	5.0	XC6206P50xDx

⑥ Represents the production lot number

0 to 9, A to Z reversed (G, I, J, O, Q, W excepted)
* No character inversion is used.

XC6206 Series

Low ESR Cap. Compatible, Positive Voltage Regulators



■ ABSOLUTE MAXIMUM RATINGS

Ta=25°C

PARAMETER	SYMBOL	RATINGS	UNITS	
Input Voltage	VIN	6.0	V	
Output Current	IOUT	500 *	mA	
Output Voltage	VOUT	VSS - 0.3 ~ VIN + 0.3	V	
Power Dissipation	SOT-23	Pd	250	mW
	SOT-89		500	
	USP-6B		100	
	TO-92		300	
Operating Temperature Range	Topr	- 40 ~ + 85	°C	
Storage Temperature Range	Tstg	- 55 ~ + 125	°C	

* IOUT=Pd / (VIN-VOUT)

■ ELECTRICAL CHARACTERISTICS

○ XC6206B302 (3.0V product)

Ta=25°C

PARAMETER	SYMBOL	CONDITIONS	MAX	TYP	MIN	UNITS	CIRCUIT
Output Voltage	VOUT(E) (note 2)	IOUT=40mA	x 0.98 2.940	VOUT(T) 3.000	x 1.02 3.060	V	①
Maximum Output Current	IOUTMAX		200	-	-	mA	①
Load Regulation	ΔVOUT	1mA ≤ IOUT ≤ 100mA	-	25	-	mV	①
Dropout Voltage	Vdif1	IOUT=30mA	-	80	-	mV	①
	Vdif2	IOUT=100mA	-	250	-	mV	
Supply Current	IDD	VIN=4.0V	-	1.0	-	μA	②
Line Regulation	$\frac{\Delta VOUT}{\Delta VIN \cdot VOUT}$	VOUT(T)+1.0V ≤ VIN ≤ 6.0V IOUT=40mA	-	0.01	0.30	%/V	①
Input Voltage	VIN		1.8	-	6.0	V	-
Output Voltage Temperature Characteristics	$\frac{\Delta VOUT}{\Delta Topr \cdot VOUT}$	IOUT=40mA -40°C ≤ Topr ≤ 85°C	-	100	-	ppm/°C	①
Short Circuit Current	Ishort	VIN=VOUT+1.5V, VOUT=VSS	-	100	-	mA	①

(note 1) VOUT(T) = Specified output voltage

(note 2) VOUT(E) = Effective output voltage

(I.e. the output voltage when "VOUT(T)+1.0V" is provided at the VIN pin while maintaining a certain IOUT value.)

(note 3) $Vdif = \{VIN1^{(NOTE5)} - VOUT1^{(NOTE4)}\}$

(note 4) VOUT=A voltage equal to 98% of the output voltage whenever an amply stabilized IOUT {VOUT(T)+1.0V} is input.

(note 5) VIN=The Input Voltage when VOUT appears as Input Voltage is gradually decreased.

(note 6) Unless otherwise stated, VIN=VOUT(T)+1.0V.

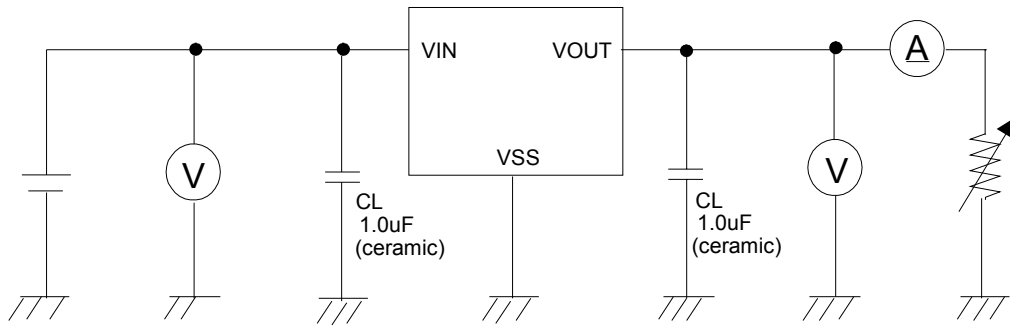
XC6206 Series

Low ESR Cap. Compatible, Positive Voltage Regulators

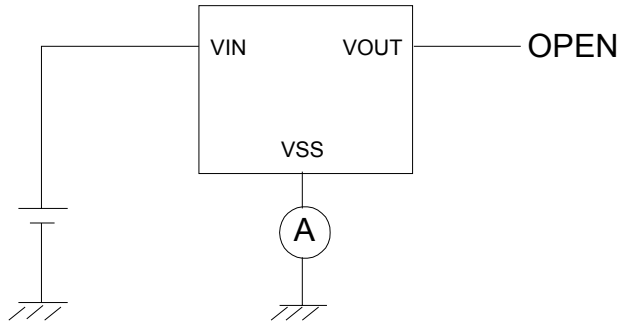


■ TEST CIRCUITS

Circuit ①



Circuit ②



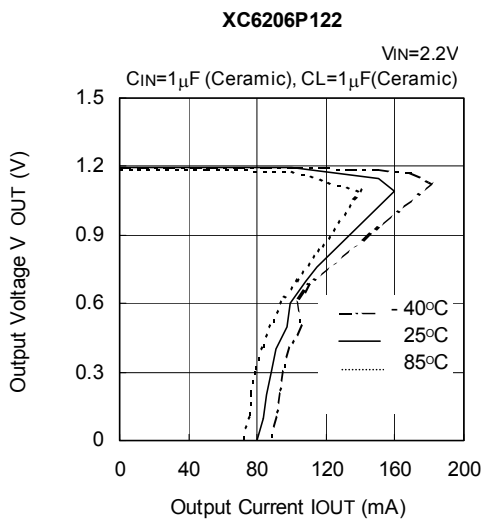
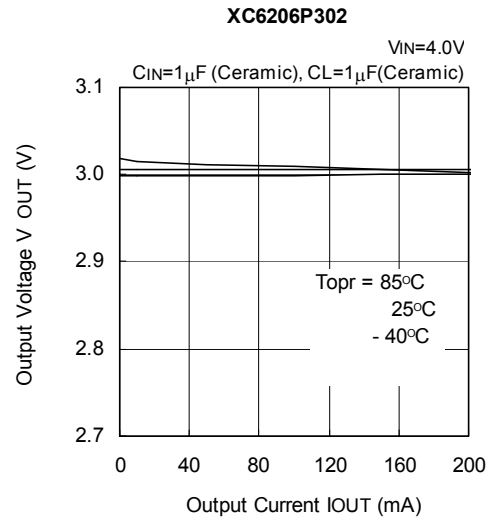
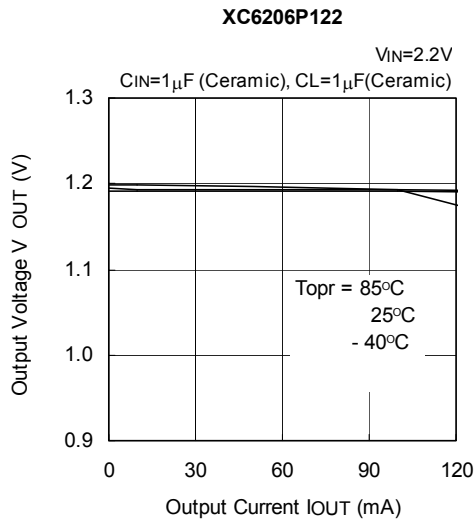
XC6206 Series

Low ESR Cap. Compatible, Positive Voltage Regulators

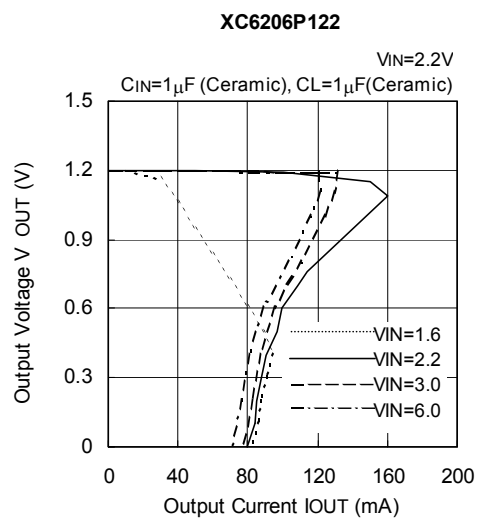
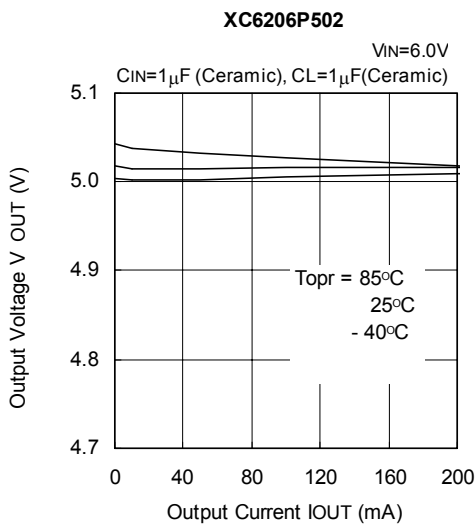


ELECTRICAL CHARACTERISTICS

(1) Output Voltage vs. Output Current



(2) Current Limit



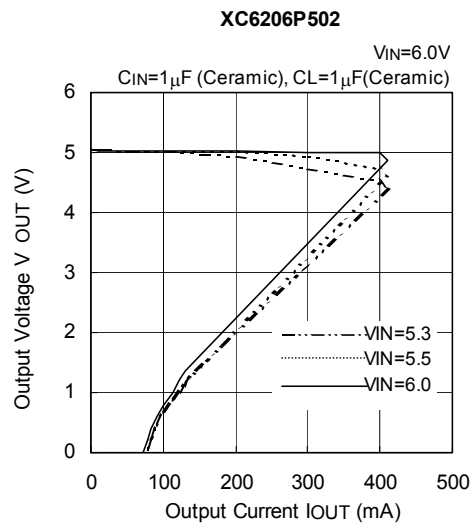
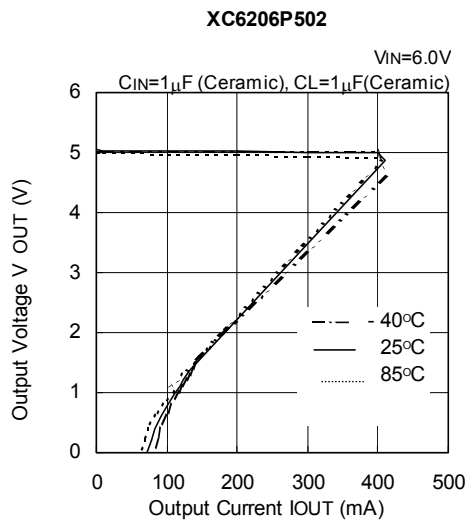
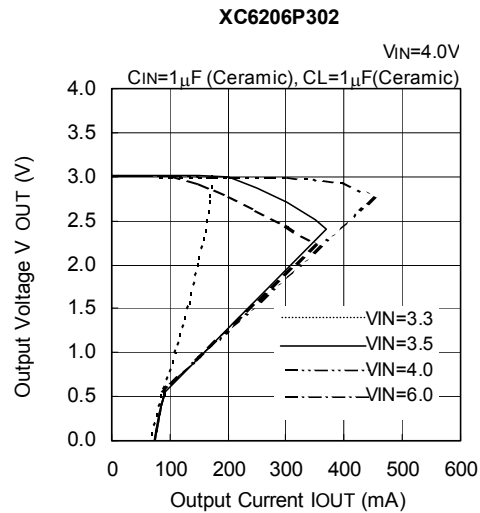
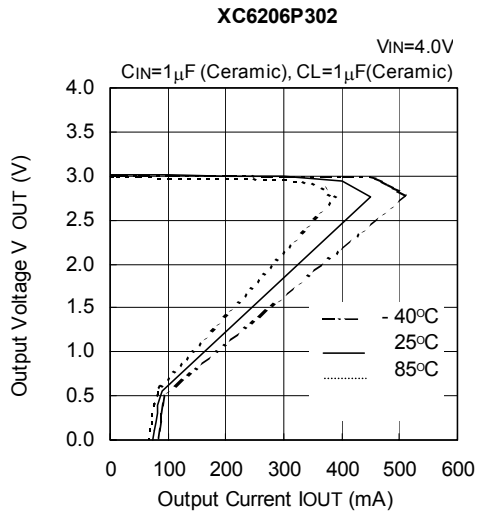
XC6206 Series

Low ESR Cap. Compatible, Positive Voltage Regulators

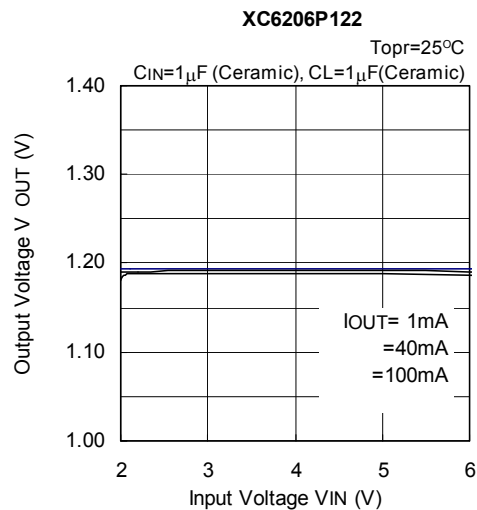
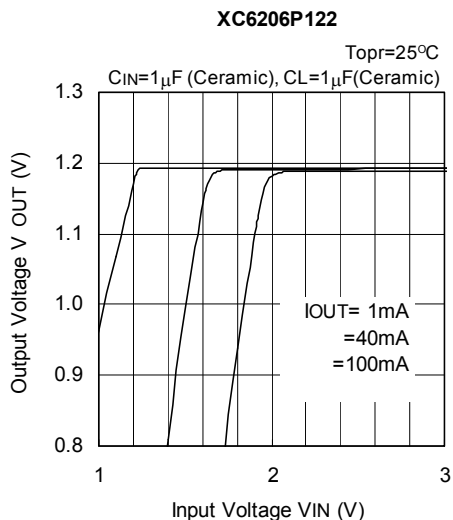


■ ELECTRICAL CHARACTERISTICS (Continued)

(2) Current Limit (Continued)



(3) Output Voltage vs. Input Voltage



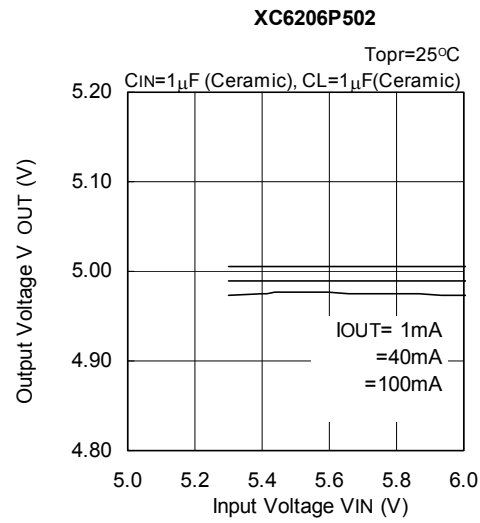
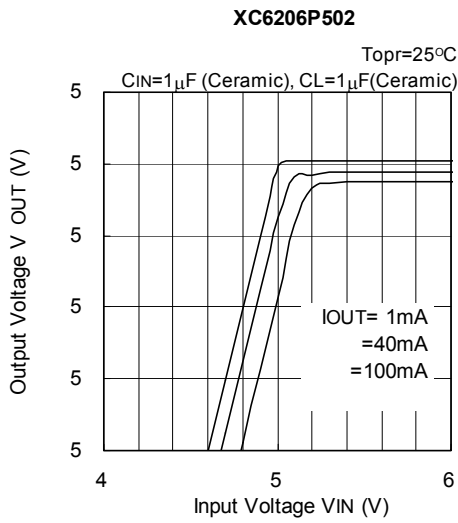
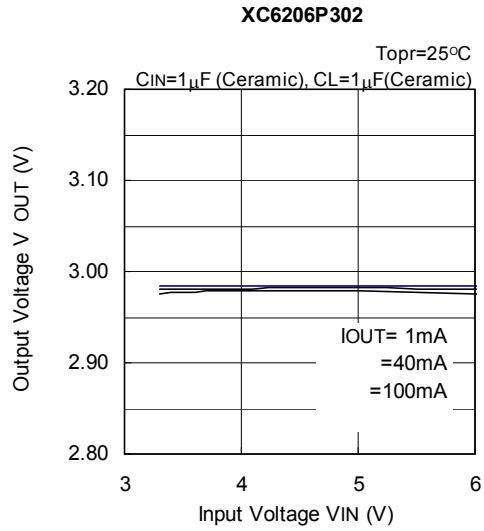
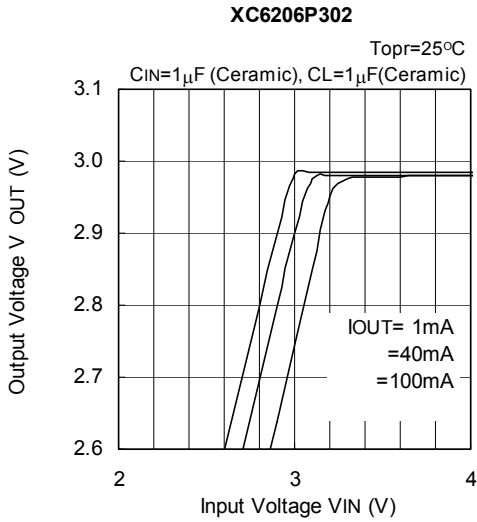
XC6206 Series

Low ESR Cap. Compatible, Positive Voltage Regulators

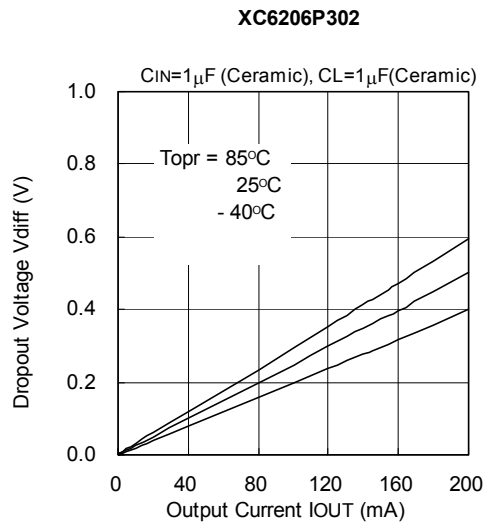
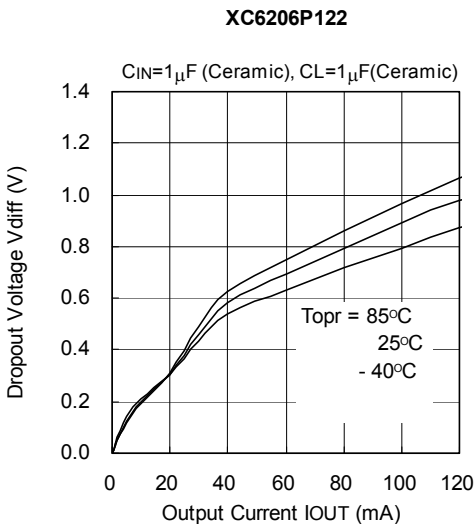


■ ELECTRICAL CHARACTERISTICS (Continued)

(3) Output Voltage vs. Input Voltage (Continued)



(4) Dropout Voltage vs. Output Current



XC6206 Series

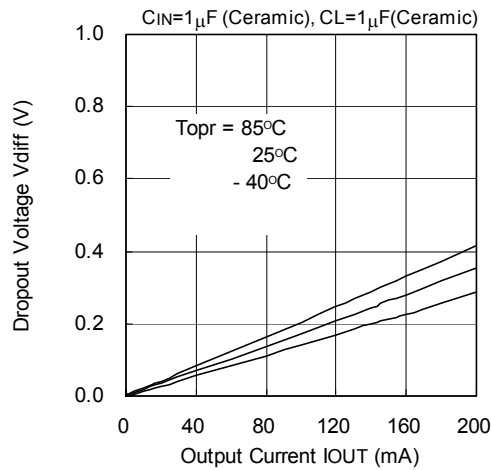
Low ESR Cap. Compatible, Positive Voltage Regulators



■ ELECTRICAL CHARACTERISTICS (Continued)

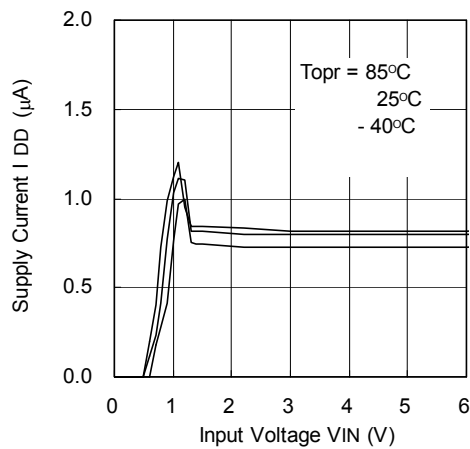
(4) Dropout Voltage vs. Output Current (Continued)

XC6206P502

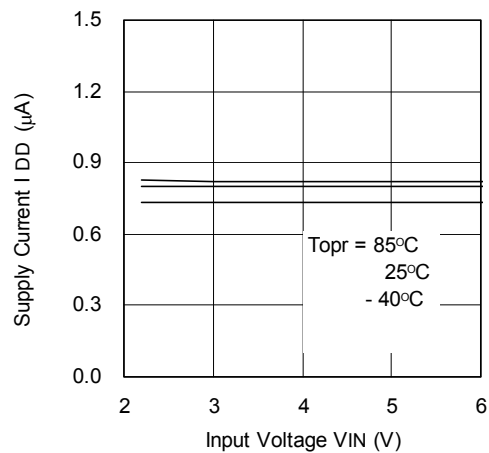


(5) Supply Current vs. Input Voltage

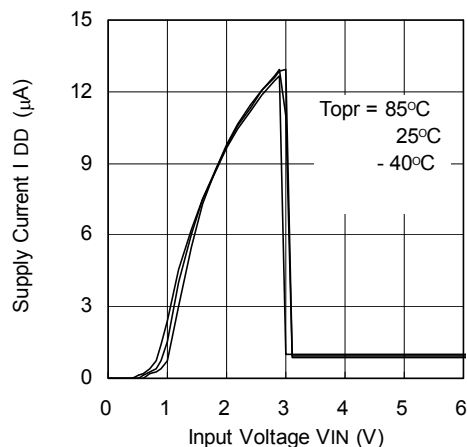
XC6206P122



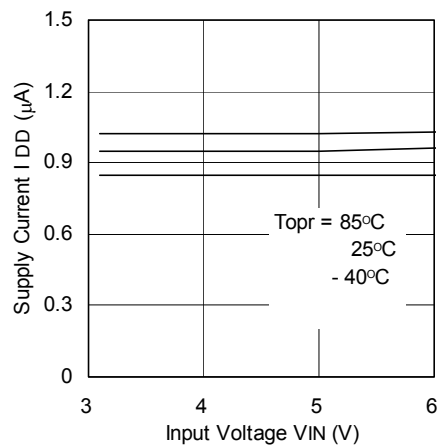
XC6206P122



XC6206P302



XC6206P302



XC6206 Series

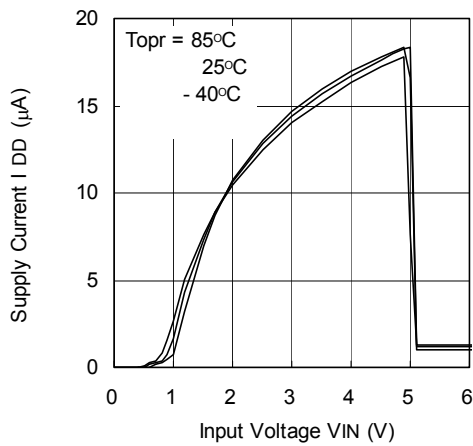
Low ESR Cap. Compatible, Positive Voltage Regulators



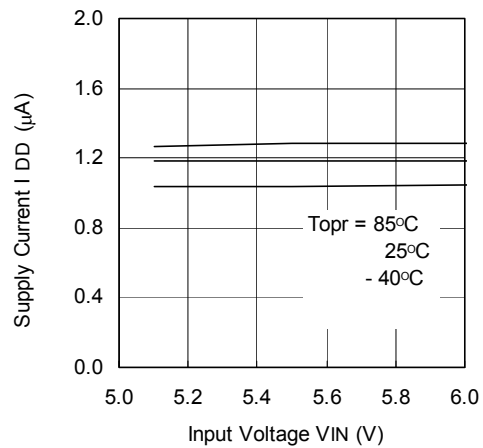
■ ELECTRICAL CHARACTERISTICS (Continued)

(5) Supply Current vs. Input Voltage (Continued)

XC6206P502

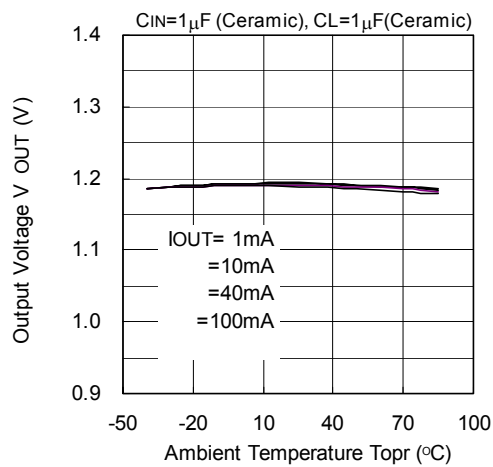


XC6206P502

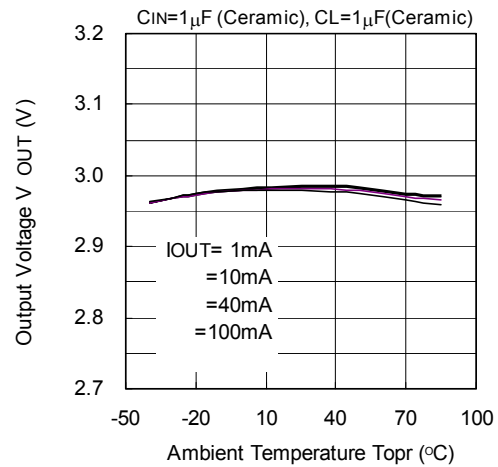


(6) Output Voltage vs. Ambient Temperature

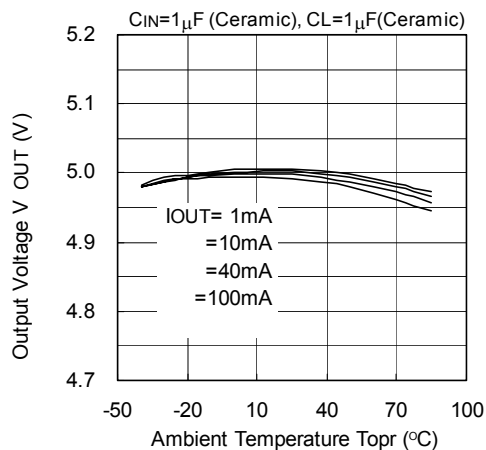
XC6206P122



XC6206P302



XC6206P502



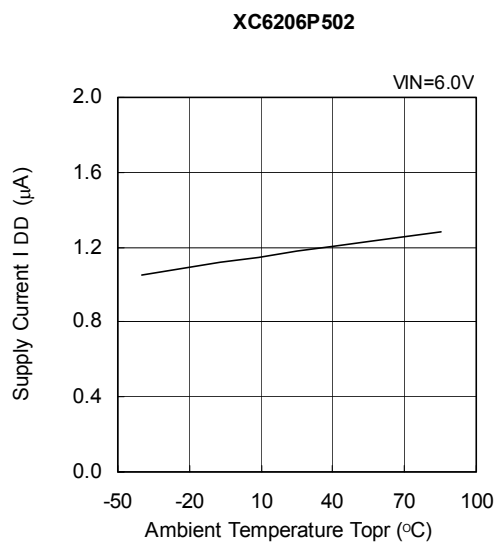
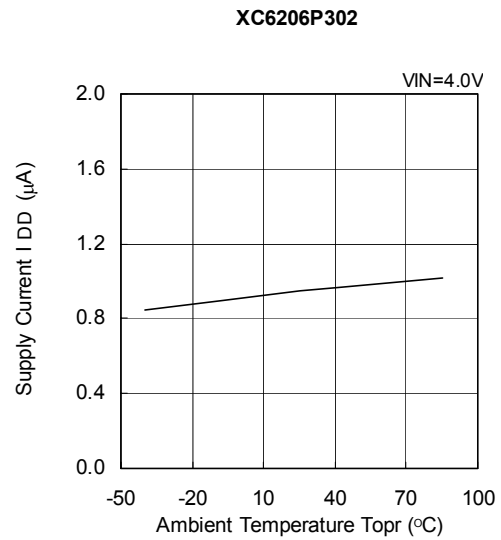
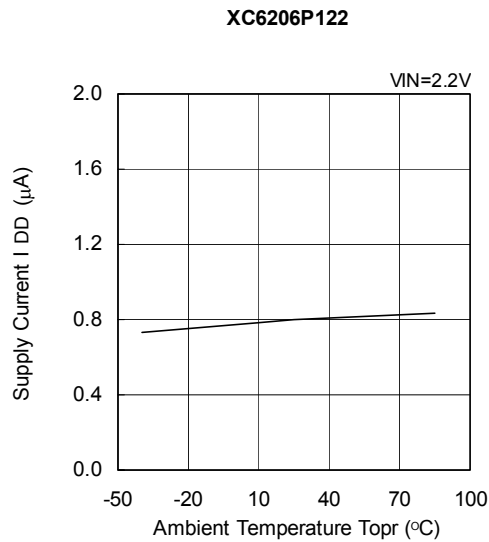
XC6206 Series

Low ESR Cap. Compatible, Positive Voltage Regulators

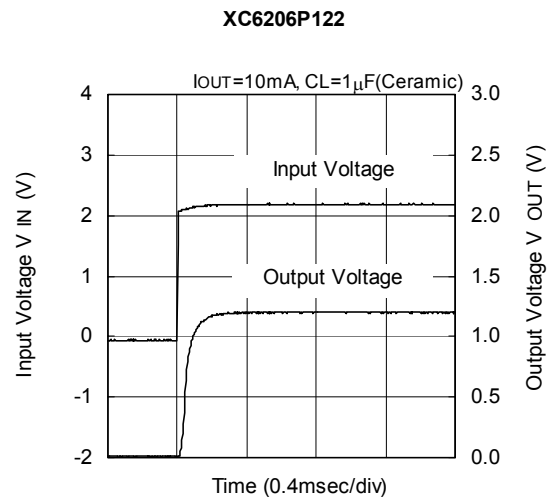
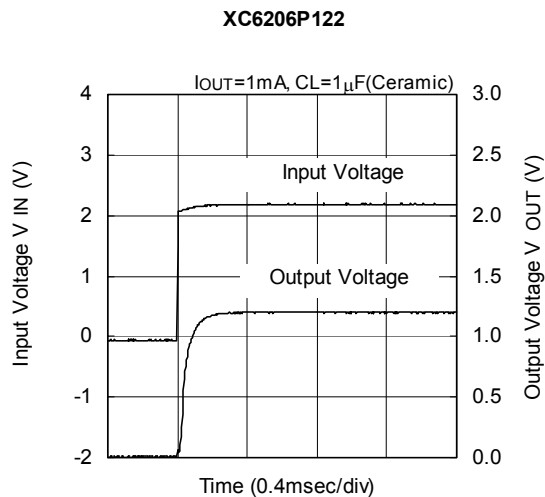


ELECTRICAL CHARACTERISTICS (Continued)

(7) Supply Current vs. Ambient Temperature

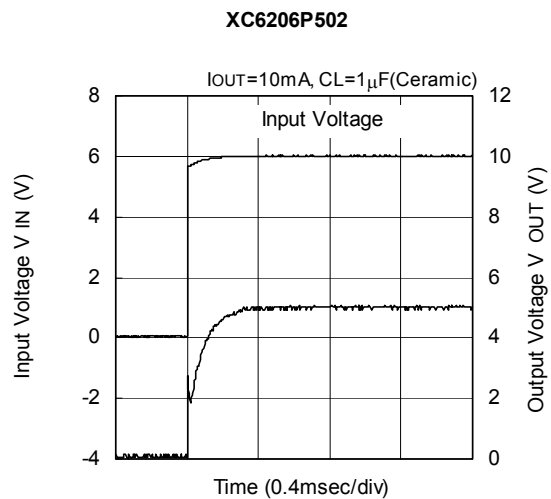
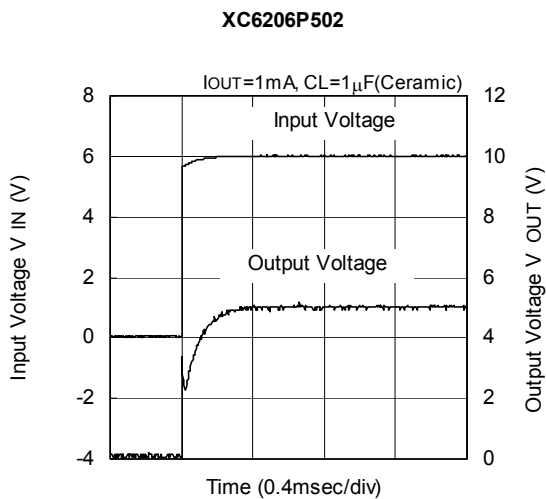
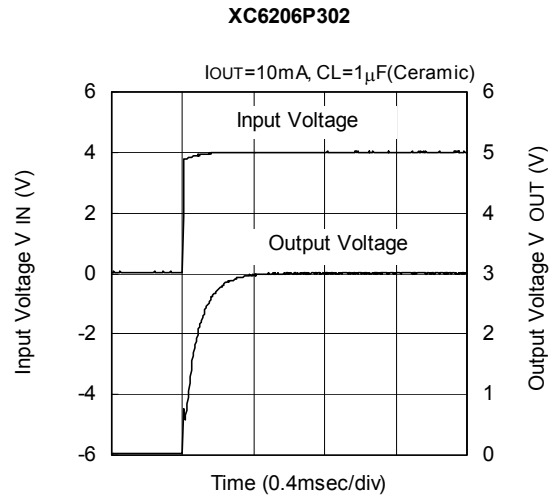
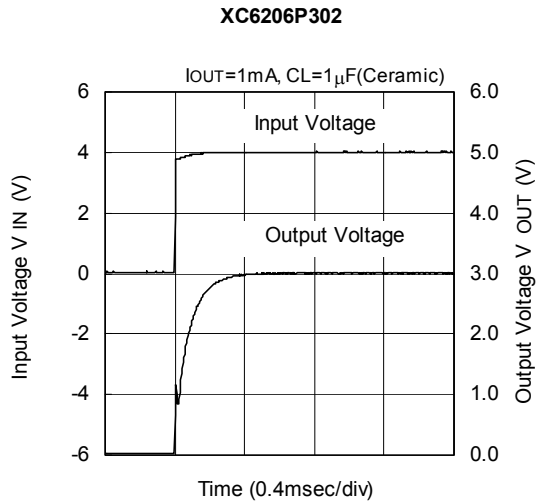


(8) Input Transient Response 1

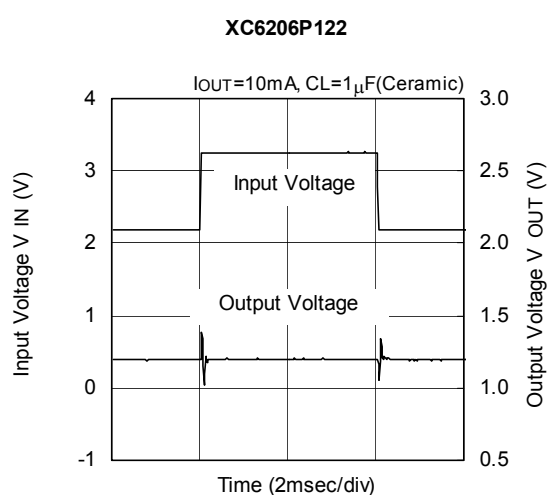
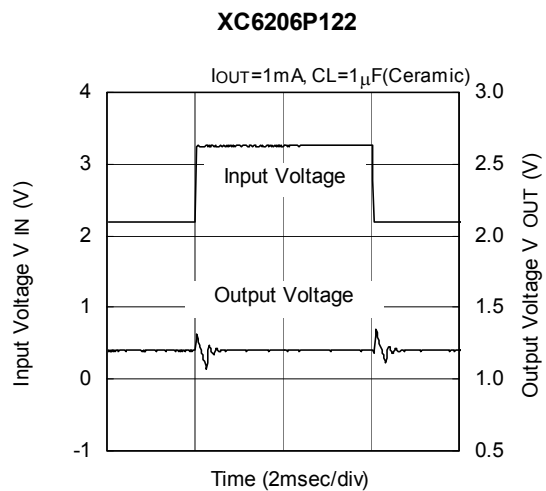


■ ELECTRICAL CHARACTERISTICS (Continued)

(8) Input Transient Response 1 (Continued)



(9) Input Transient Response 2



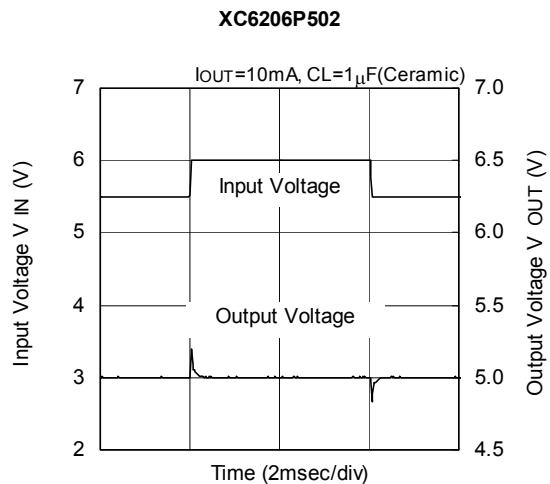
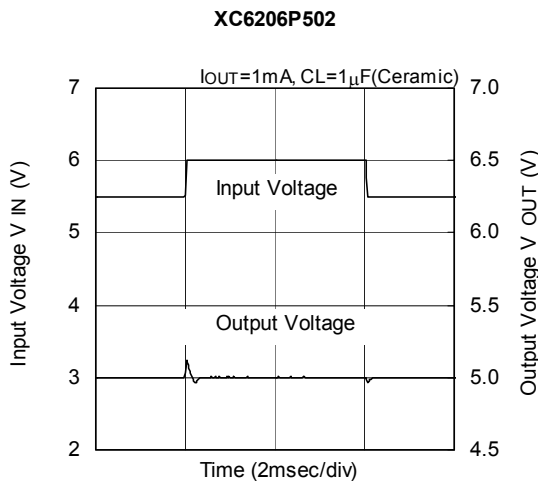
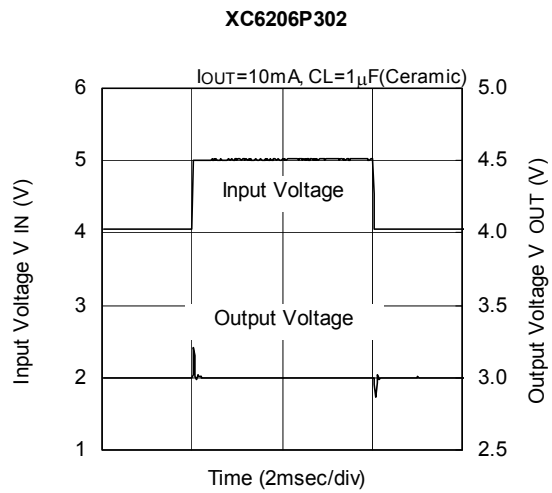
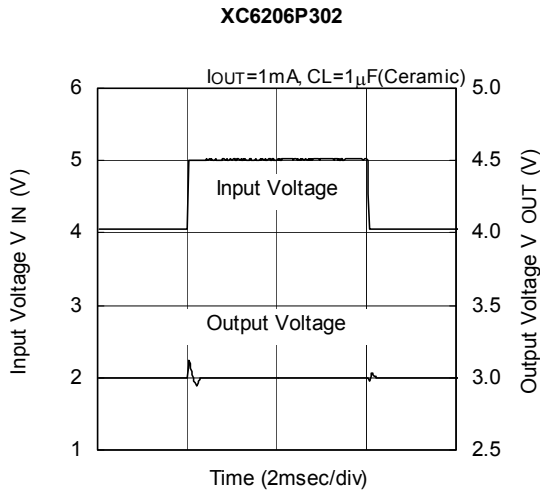
XC6206 Series

Low ESR Cap. Compatible, Positive Voltage Regulators

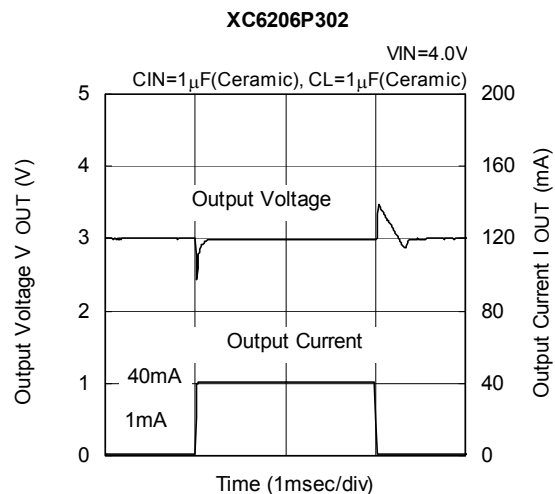
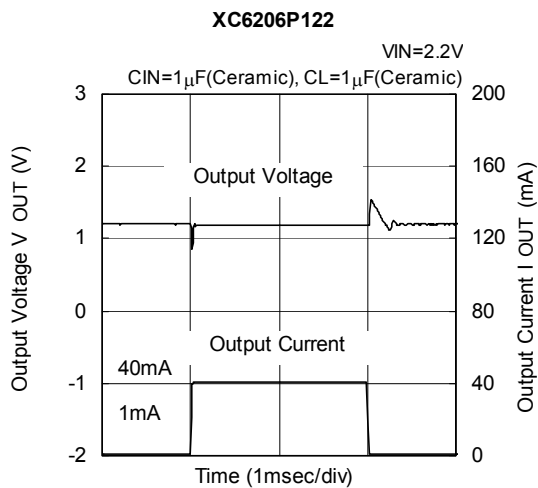


■ ELECTRICAL CHARACTERISTICS (Continued)

(9) Input Transient Response 2 (Continued)

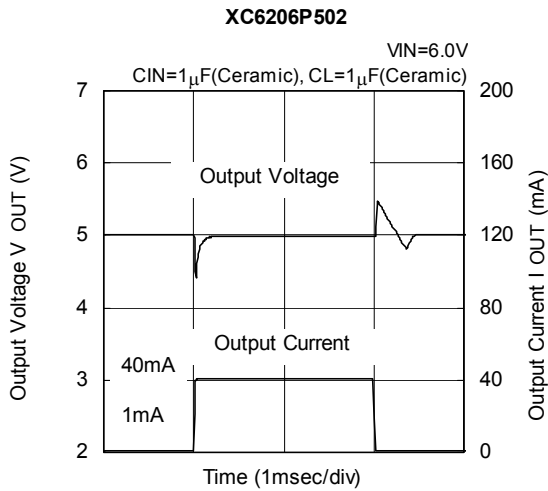


(10) Load Transient Response

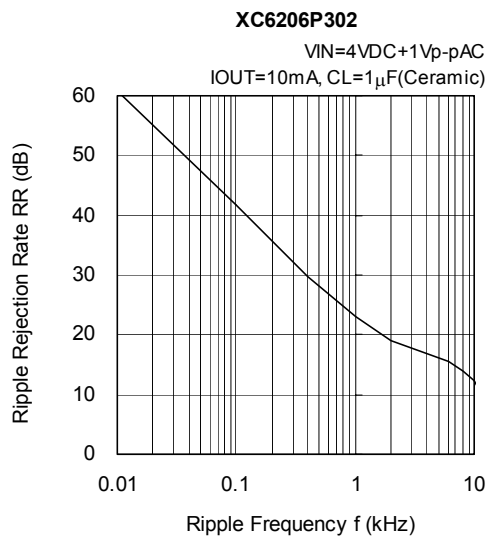
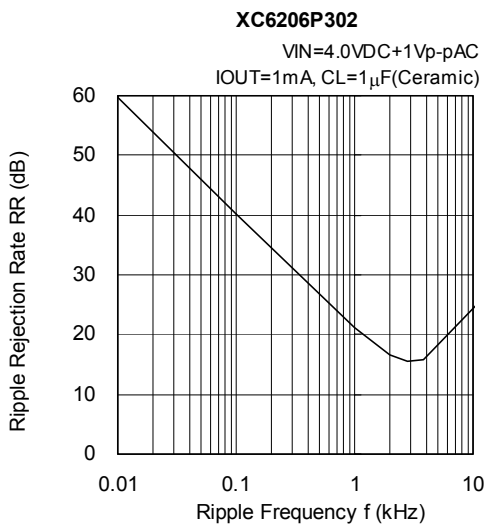
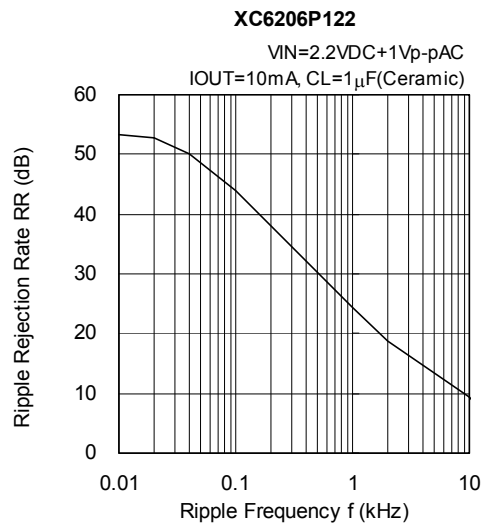
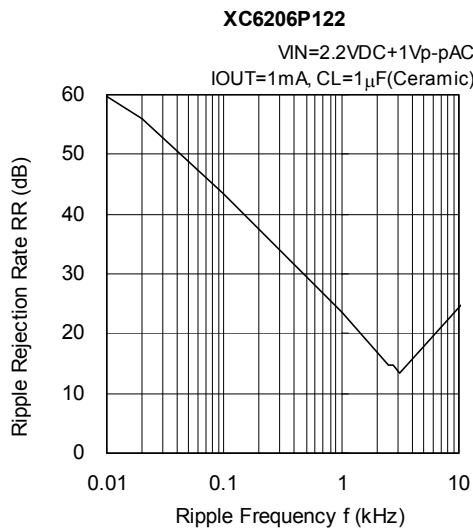


■ ELECTRICAL CHARACTERISTICS (Continued)

(10) Load Transient Response (Continued)



(11) Ripple Rejection Rate



XC6206 Series

Low ESR Cap. Compatible, Positive Voltage Regulators



■ ELECTRICAL CHARACTERISTICS (Continued)

(11) Ripple Rejection Rate

