

● PROFESSIONAL LED INDICATORS Ø8.1mm Mounting

FEATURES



537 SERIES

PACK QUANTITY = 10 PIECES

- Each product will operate over a wide voltage input range
- Bright nickel plated brass housing
- Low profile housing
- Full internal potting to resist shock and vibration
- Sealed to IP67
- Fitted with an internal diode to provide reverse voltage protection to 1000Vdc

SPECIFICATIONS

Ordering Information & Typical Technical Characteristics (Ta = 25°C)

Mean Time Between Failure = 100,000 Hours. Luminous intensity figures refer to the unmodified discrete LED.

| PART NUMBER | COLOUR | LENS | VOLTAGE DC (Vdc) Vopr | CURRENT DC (mA) Iopr | LUMINOUS INTENSITY Iv@20mA (mcd) | WAVE LENGTH λp (nm) | OPERATING TEMP Topr | STORAGE TEMP Tstg | | |
|-----------------------|------------|------|--------------------------|-------------------------|-------------------------------------|------------------------|------------------------|------------------------|------------|-----|
| HIGH INTENSITY | | | | | | | | | | |
| 537-501-63 | Red | | Colour Diffused | 12-28 | 8-20 | 11000 | 643 | -40 ~ +95 [^] | -40 ~ +100 | Yes |
| 537-521-63 | Yellow | | Colour Diffused | 12-28 | 8-20 | 16000 | 591 | -40 ~ +95 [^] | -40 ~ +100 | Yes |
| 537-532-63 | Green | | Colour Diffused | 12-28 | 8-20 | 23000 | 527 | -40 ~ +95 [^] | -40 ~ +100 | Yes |
| 537-930-63 | Blue | | Colour Diffused | 12-28 | 8-20 | 7000 | 470 | -40 ~ +95 [^] | -40 ~ +100 | Yes |
| 537-997-63 | Cool White | | Colour Diffused | 12-28 | 8-20 | 14000 | *see below | -40 ~ +95 [^] | -40 ~ +100 | Yes |
| 537-501-75 | Red | | Colour Diffused | 110Vac | 6 | 11000 | 643 | -40 ~ +95 [^] | -40 ~ +100 | Yes |
| 537-521-75 | Yellow | | Colour Diffused | 110Vac | 6 | 16000 | 591 | -40 ~ +95 [^] | -40 ~ +100 | Yes |
| 537-532-75 | Green | | Colour Diffused | 110Vac | 6 | 23000 | 527 | -40 ~ +95 [^] | -40 ~ +100 | Yes |
| 537-930-75 | Blue | | Colour Diffused | 110Vac | 6 | 7000 | 470 | -40 ~ +95 [^] | -40 ~ +100 | Yes |
| 537-997-75 | Cold White | | Colour Diffused | 110Vac | 6 | 14000 | *see below | -40 ~ +95 [^] | -40 ~ +100 | Yes |
| UNITS | | | Vdc | mA | mcd | nm | °C | °C | | |



[^] = Products must be derated according to the derating information. Each derating graph refers to specific LEDs. Refer to page 3.

| | | | | |
|---------------|-------------------------------------|-------|-------|-------|
| 997F-C | *Typical emission colour cool white | | | |
| x | 0.245 | 0.361 | 0.356 | 0.264 |
| y | 0.229 | 0.385 | 0.351 | 0.220 |

Intensities (Iv) and colour shades of white (x,y co-ordinates) may vary between LEDs within a batch.

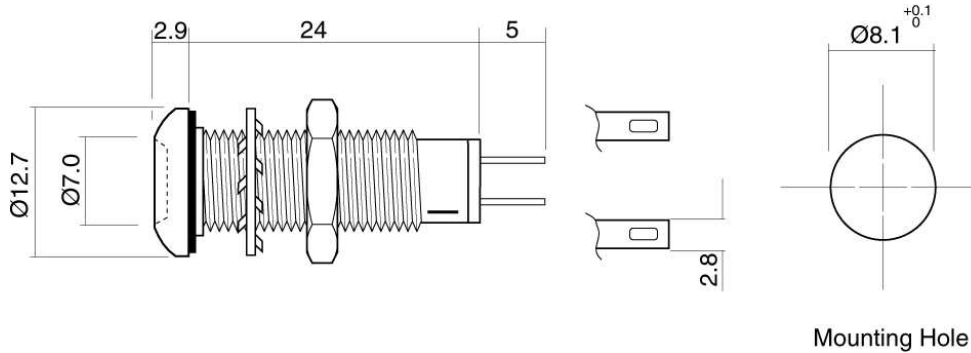
How to Order:

website: www.marl.co.uk • email: sales@marl.co.uk •

• Telephone +44 (0)1229 582430 • Fax: +44 (0)1229 585155

The information contained in this datasheet does not constitute part of any order or contract and should not be regarded as a representation relating to either products or service. Marl International reserve the right to alter without notice the specification or any conditions of supply for products or service.

537 Series



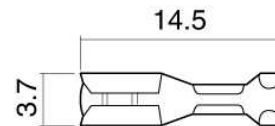
Dimensions in mm (Typical)
Not to scale

Anode termination indicated by red sleeve
Mounting hole to be clean and burr free

MATERIALS

| | |
|---------------|--------------------------------------|
| Body | Nickel plated brass to BS 2874 CZ121 |
| Nut | Stainless Steel grade 303 |
| Panel Seal | Viton |
| Termination | Copper with silver flash finish |
| Lock Washer | Zinc plated steel |
| Fresnel lens | Polycarbonate |
| Encapsulation | PC5430 |
| Header | Nylon6 A82 |

PUSH-ON CONNECTORS



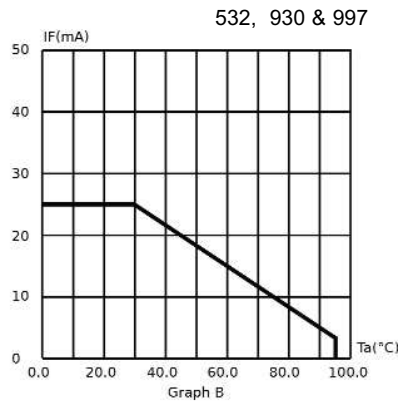
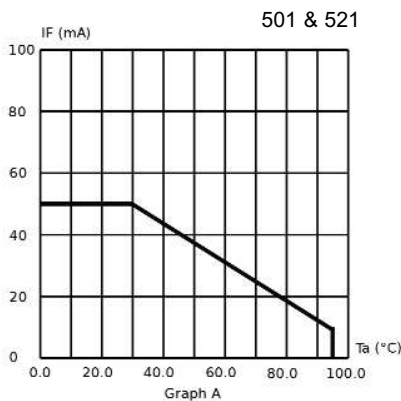
925-000-00 is brass tin plated.
For use with 537 series lamps.

Dimensions in mm (Typical)
Not to scale

TECHNICAL CHARACTERISTICS

| SERIES | MAXIMUM POWER DISSIPATION | PANEL CUTOUT | NUT MOUNTING TORQUE | MINIMUM MOUNTING CENTRES | MIN/MAX. PANEL THICKNESS |
|--------|---------------------------|--------------|---------------------|--------------------------|--------------------------|
| 537 | 825 | 8.1 | 0.65 | x,y = 14.5 | 1.5-13.0 |
| | mW | mm | Nm | mm | mm |

DERATING INFORMATION



How to Order:

website: www.marl.co.uk • email: sales@marl.co.uk •
• Telephone +44 (0)1229 582430 • Fax: +44 (0)1229 585155

The information contained in this datasheet does not constitute part of any order or contract and should not be regarded as a representation relating to either products or service. Marl International reserve the right to alter without notice the specification or any conditions of supply for products or service.



BS EN ISO 9001:2000
Approved Manufacturer