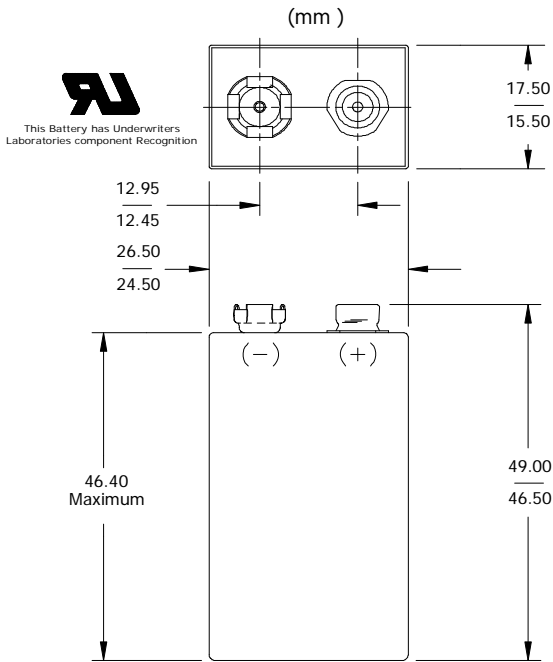


ENERGIZER LA522
Lithium

9V



Industry Standard Dimensions

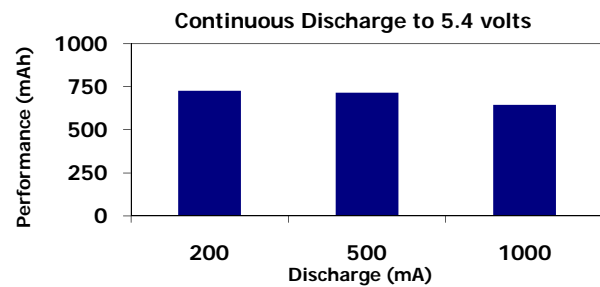
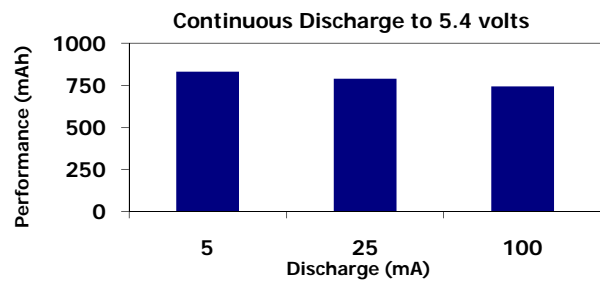


Classification: Lithium 9V
Chemical System: Lithium-Manganese Dioxide (Li/MnO₂)
Designation: ANSI-1604LC
Nominal Voltage: 9.0 volts
Operating Temp: -40°C to 60°C
Storage Temp: -40°C to 60°C
Max Discharge : 1K mA continuous
Safety Features: Positive Temperature Coefficient Switch (PTC)
 Burst Proof Venting Holes

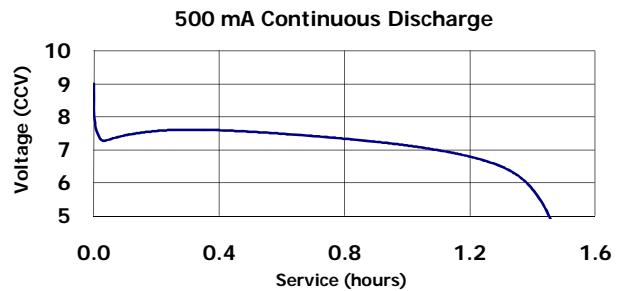
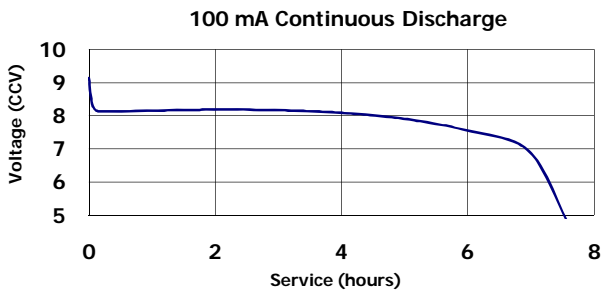
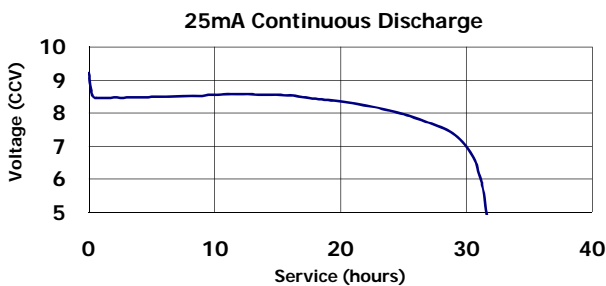
Typical Weight: 33.9 grams
Typical Volume: 21.4 cubic centimeters
Jacket: Plastic Label
Terminal: Miniature Snap
Shelf Life: 10 Years
Typical Li Content: 1.35 grams
UL/UN Listed: MH12454 / 38.3

Shipping: For complete details, please reference:
 Global (except US): Special Provision A45 of the International Air Transport Association Dangerous Goods Regulations

Milliamp-Hours Performance (21°C)



Typical Discharge Performance (21°C)



Important Notice

This datasheet contains typical information specific to products manufactured at the time of its publication.
 ©Energizer Holdings, Inc. - Contents herein do not constitute a warranty.