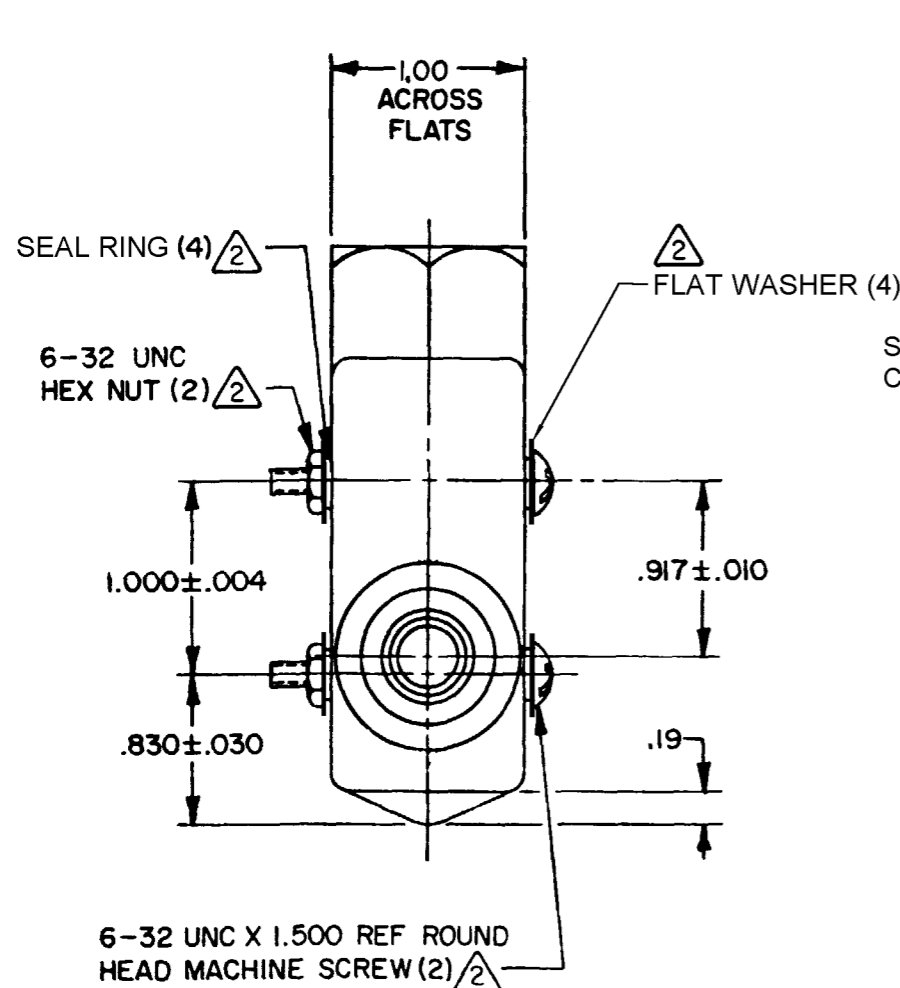


CATALOG LISTING
BZE6-2RN34
 PAGE 1 OF 1
 ISSUE **M**
 15
 PM
 30OCT06
 CHECK
 30OCT06
 REVISIONS
 L 0025947
 KNS
 30OCT06
 B C05319-G
 C JH
 MAY 84
 2
 C C055989
 J A P
 NOV 84
 8
 D C054958
 G J W
 JAN 85
 8
 E C072476
 MAM
 4 SEP 92
 F CO-
 77179A
 K D R
 17 FEB 94
 G 203638
 CSL
 3 AUG 01
 H 204252
 CSL
 26 OCT 01
 J 0017057
 VKR
 23 NOV 05
 K 0023923
 RKP
 24AUG06
 DRAWN
 FO-32851-A
 SLB 24 AUG 77
 CHECK
 K P K
 25
 1100
 77
 RASTER



SILICONE PLUNGER SEAL SECURED TO COMPONENTS BY EXTERNAL BANDING

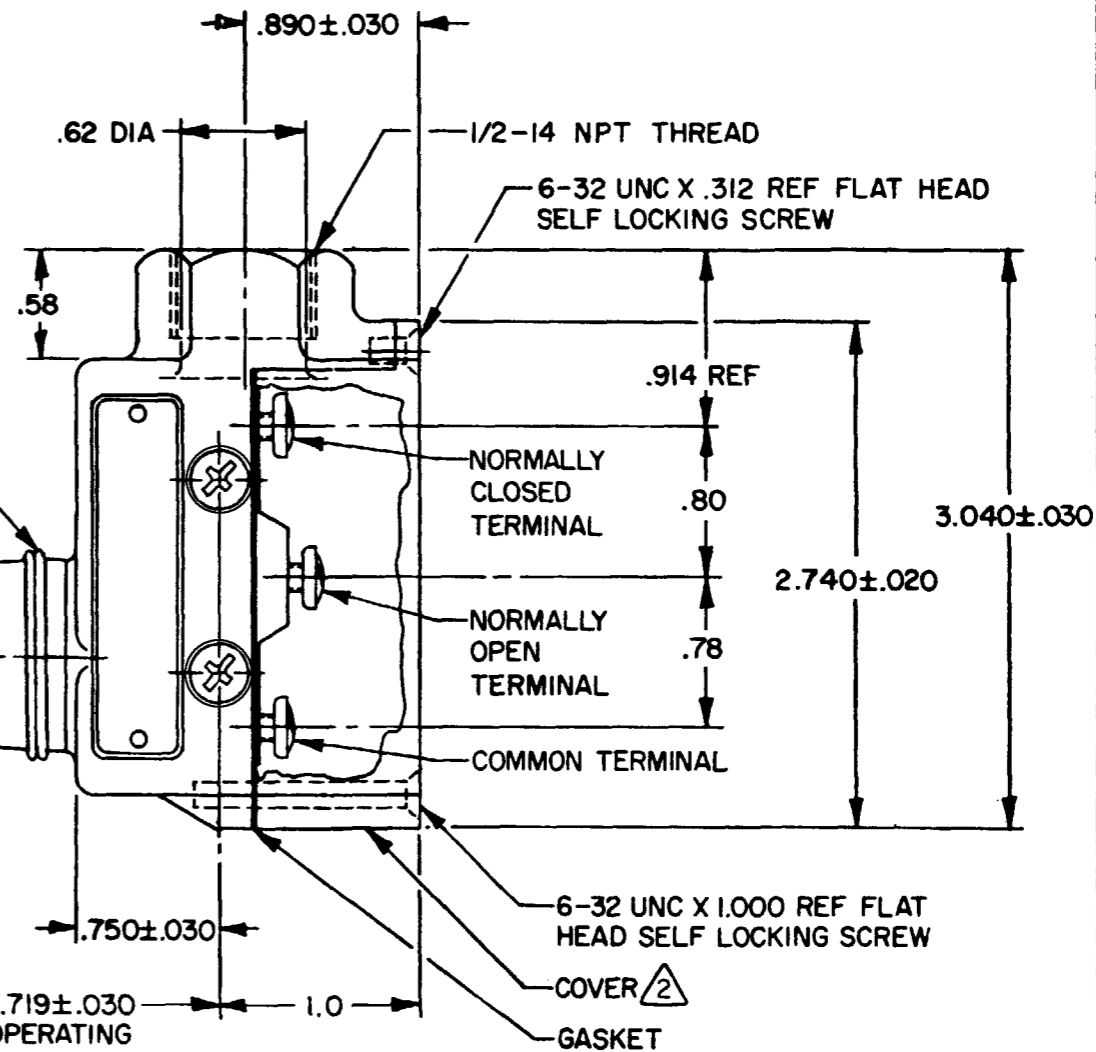
HARDENED STEEL PLUNGER

.33 DIA

.47 SPHERICAL R

.078 MAX PRETRAVEL

1.719 ± .030 OPERATING POSITION



THIS DRAWING COVERS A PROPRIETARY ITEM AND IS THE PROPERTY OF MICRO SWITCH, A DIVISION OF HONEYWELL. THIS DRAWING IS NOT TO BE COPIED OR USED WITHOUT THE APPROVAL OF MICRO SWITCH.

CHARACTERISTICS	ELECTRICAL DATA	SCALE FULL
OPERATING FORCE ----- 15-39 OZ	CONTACT ARRANGEMENT S P D T	DO NOT SCALE PRINT
RELEASE FORCE ----- 10 OZ MIN	15A-125, 250 OR 480 VAC, 2A-600 VAC	UNLESS OTHERWISE NOTED
DIFFERENTIAL TRAVEL ----- .002 MAX	1/8 HP-125 VAC; 1/4 HP-250 VAC	DIMENSIONS ARE IN INCHES
OVERTRAVEL ----- .219 MIN	1/2A-125 VDC; 1/4A-250 VDC	TOLERANCES ARE:
BASIC SWITCH REPLACEMENT --- BZ-2RN753	CODE L74 SP RL	ONE PLACE (.) ±.030
	CE 1.5A, 240 Vac	TWO PLACE (.00) ±.018
		THREE PLACE (.000) ±.008
		ANGLES ±.008
		WEIGHT .56 LB

NOTES

- 1 - 6-32 UNC X .219 REF BINDING HEAD TERMINAL SCREW AND CUPWASHER (3)
- $\triangle 2$ FURNISHED UNASSEMBLED
- 3 - TEMPERATURE RANGE -40°F TO +160°F (-40°C TO +71°C)
- 4 - SEAL RATING: NEMA 1,3,4
IP66