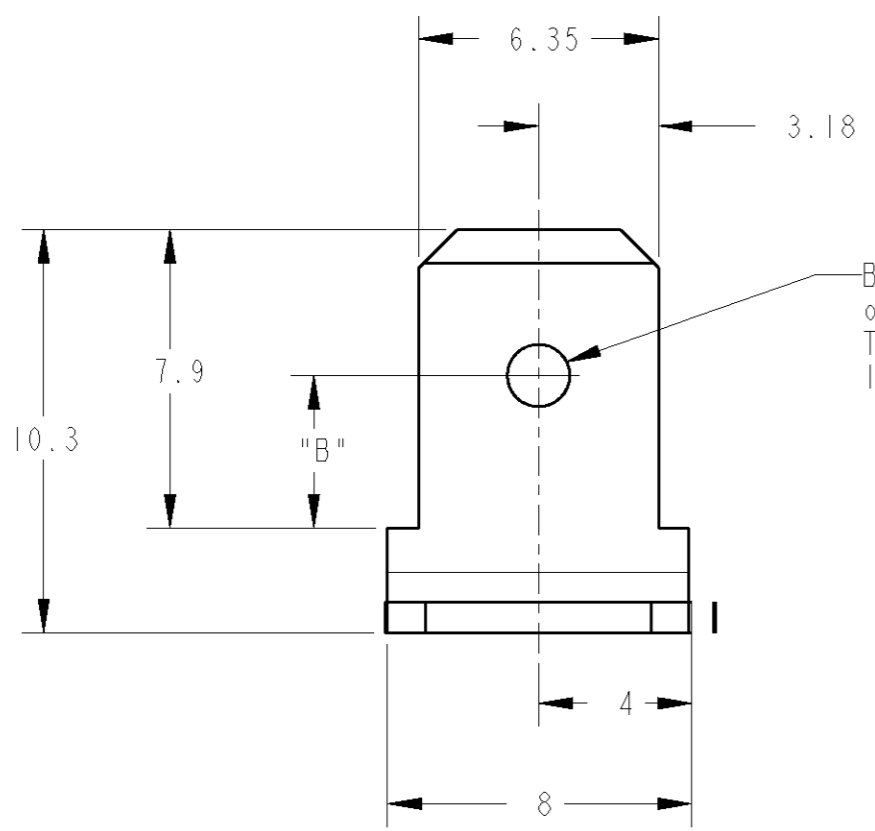
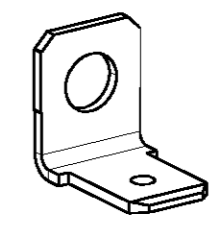
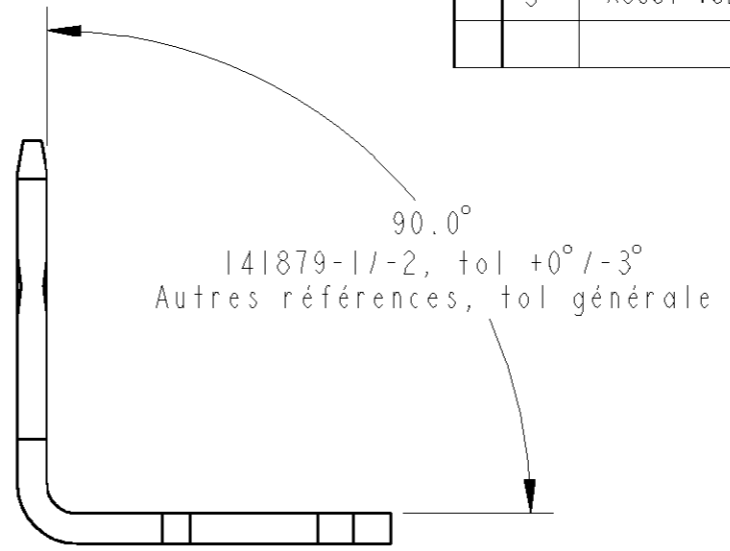


THIS DRAWING IS UNPUBLISHED.  
 DIFFUSION RESTREINTE AMP  
 © COPYRIGHT 20 BY TYCO ELECTRONICS CORPORATION. ALL RIGHTS RESERVED.  
 TOUS DROITS RESERVES

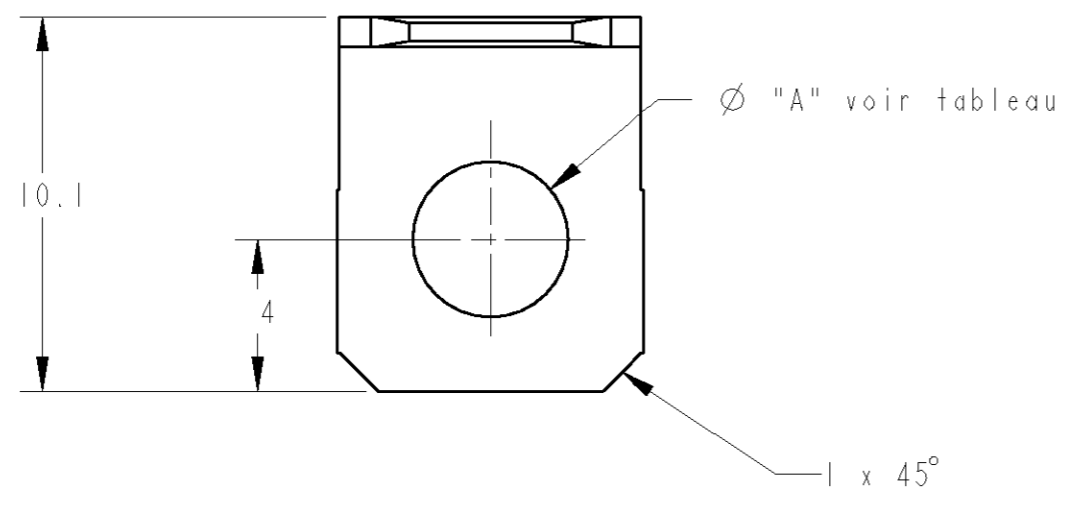
LOC	DIST	REVISIONS				
P	LTR REV	DESCRIPTION MODIFICATIONS	DATE	DWN DESS.	APVD APP.	
F	7	G	Redessine en CAO et revise	30MARS98	O.L	-
		H	CLARIFICATION	09OCT2000	JJD	-
		J	AJOUT VUE DE COTE ET DIM 90°	12MAR2004	GR	gr



Bossage  $\varnothing$  1.7  
 ou  
 Trou  $\varnothing$  2  
 ITEM "C" (voir tableau)



ECHELLE 2:1



1 x 45°

142612-2	etame	3	3.4	trou
142612-1	brut	3	3.4	trou
141879-2	etame	4.1	3.4	trou
141879-1	brut	4.1	3.4	trou
140793-2	etame	4.1	3.4	trou
140793-1	brut	4.1	3.4	trou
140732-2	etame	3.1	4	bossage
140732-1	brut	3.1	4	bossage
140600-0	etame	3.7	4	bossage
140599-0	brut	3.7	4	bossage
140594-0	etame	4.1	4	bossage
140593-0	brut	4.1	4	bossage
Numero	Finition	"A"	"B"	"C"

THIS DRAWING IS A CONTROLLED DOCUMENT FOR TYCO ELECTRONICS CORPORATION IT IS SUBJECT TO CHANGE AND THE CONTROLLING ENGINEERING ORGANIZATION SHOULD BE CONTACTED FOR THE LATEST REVISION. CE PLAN EST UN DOCUMENT CONTROLE PAR AMP INCORPORATED. IL EST SUSCEPTIBLE D'ETRE REVISE. CONTACTER LE SERVICE TECHNIQUE D'AMP DE FRANCE POUR OBTENIR LA DERNIERE REVISION.		DWN/DESSINE 30MARS98 O. LEMPEREUR CHK/VERIFIE - G. ROBERT APVD/APPROUVE - Y. PETRONIN		<b>AMP</b> AMP DE FRANCE 95301 PONTOISE	
DIMENSIONS: mm 		TOLERANCES UNLESS OTHERWISE SPECIFIED: TOLERANCES NON SPECIFIEES (SUIV NB DE DECIMALES): 0 PLC/DEC: ±- 1 PLC/DEC: ±0.2 2 PLC/DEC: ±- 3 PLC/DEC: ±- 4 PLC/DEC: ±- ANGLES ±30'		NAME/TITRE <b>FASTON TABS BENT 90 .250 series</b> <b>LANGUETTE POUR CLIPS</b>	
MATERIAL/MATIERE <b>LAITON</b> Epaisseur : 0.8mm		FINISH/FINITION <b>VOIR TABLE</b>		APPLICATION SPEC SPEC. APPLICATION -	
WEIGHT MASSE APPROX. -		SIZE FORMAT <b>A3</b>		CAGE CODE <b>00779</b>	
CUSTOMER DRAWING /PLAN CLIENT		DRAWING NO No PLAN <b>C=140593</b>		RESTRICTED TO RESERVE A -	
UNIQUEMENT POUR REFERENCE		SCALE ECHELLE 5:1		SHEET FEUILLE OF DE REV J	