

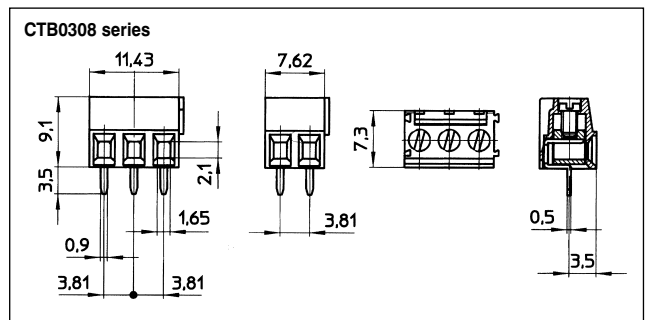
3.81mm Pitch **Ultra Low Profile** Rising Clamp Terminal

Features

- 2-12 pole interlocking
- Ultra low profile
- Moulded in green UL94-V0 flame retardant PA66
- Professional rising clamp terminals
- 0.75mm² cable entry
- cUL, UL & CE approved
- Captive screws
- Guided pin alignment
- Double interlock mechanism for increased strength



Type No.	Poles	Length
CTB0308/2	2	7.62mm
CTB0308/3	3	11.43mm
CTB0308/4	4	15.24mm
CTB0308/5	5	19.05mm
CTB0308/6	6	22.86mm
CTB0308/7	7	26.67mm
CTB0308/8	8	30.48mm
CTB0308/9	9	34.29mm
CTB0308/10	10	38.10mm
CTB0308/11	11	41.91mm
CTB0308/12	12	45.72mm



Specification

Rating	9A/130Vac
Dielectric strength	1.5kV/60sec
Insulation resistance	≥ 5MΩ
Working temperature	-20°C to 125°C
Short period	160°C
Moulding	UL94-V0 flame retardant PA66
Pin/terminal	5μ tinned, nickel plated brass
Rising clamp	Nickel plated brass
Screw/torque	M2 steel, 6μ zinc colour passivated and tropicalised/0.3Nm
Recommended PCB hole size	ø1.1mm

3.81mm Pitch **Ultra Low Profile 90°** Rising Clamp Terminal

Features

- 2-12 pole interlocking
- Ultra low profile
- Moulded in green UL94-V0 flame retardant PA66
- Professional rising clamp terminals
- 0.75mm² cable entry
- cUL, UL & CE approved
- Captive screws
- Guided pin alignment
- Double interlock mechanism for increased strength



Type No.	Poles	Length
CTB0358/2	2	7.62mm
CTB0358/3	3	11.43mm
CTB0358/4	4	15.24mm
CTB0358/5	5	19.05mm
CTB0358/6	6	22.86mm
CTB0358/7	7	26.67mm
CTB0358/8	8	30.48mm
CTB0358/9	9	34.29mm
CTB0358/10	10	38.10mm
CTB0358/11	11	41.91mm
CTB0358/12	12	45.72mm

Specification

Rating	9A/130Vac
Dielectric strength	1.5kV/60sec
Insulation resistance	≥ 5MΩ
Working temperature	-20°C to 125°C
Short period	160°C
Moulding	UL94-V0 flame retardant PA66
Pin/terminal	5μ tinned, nickel plated brass
Rising clamp	Nickel plated brass
Screw/torque	M2 steel, 6μ zinc colour passivated and tropicalised/0.3Nm
Recommended PCB hole size	ø1.1mm

