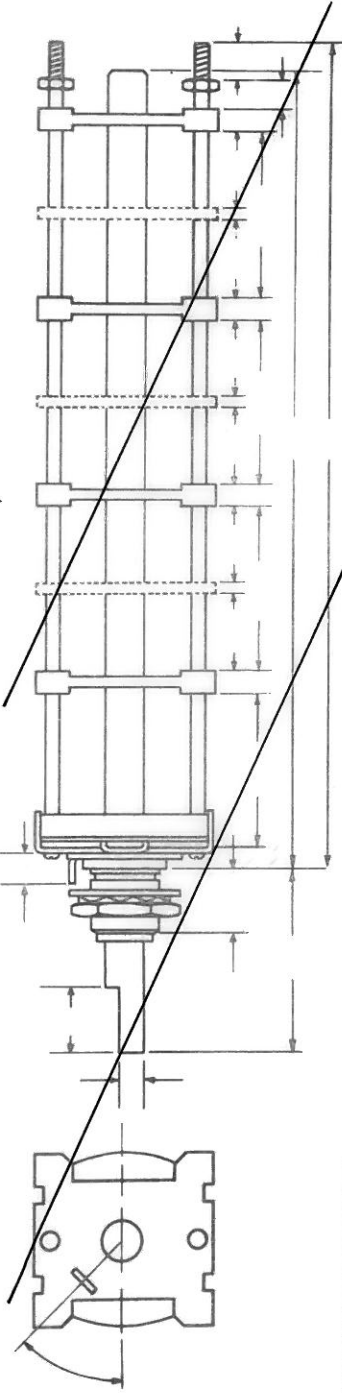


**ROTARY WAFER SWITCH MA ~~MA~~ 30° INDEXING**

N.S.F. SMT 1 OF 2  
 SPEC.

NO. 455772 MA



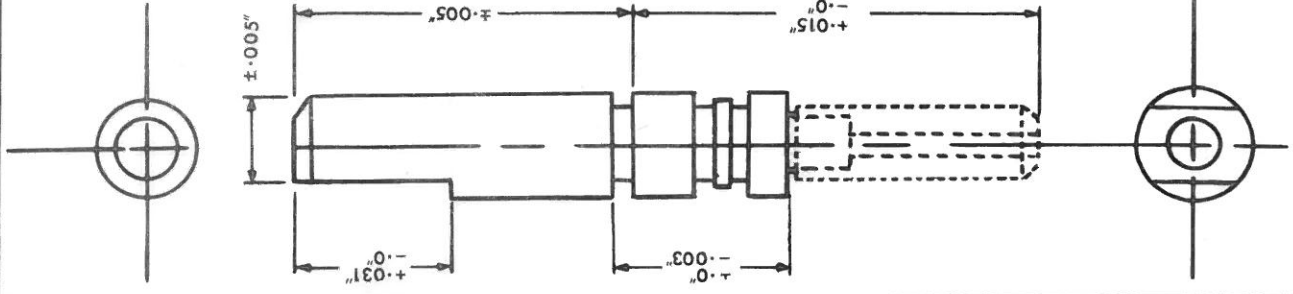
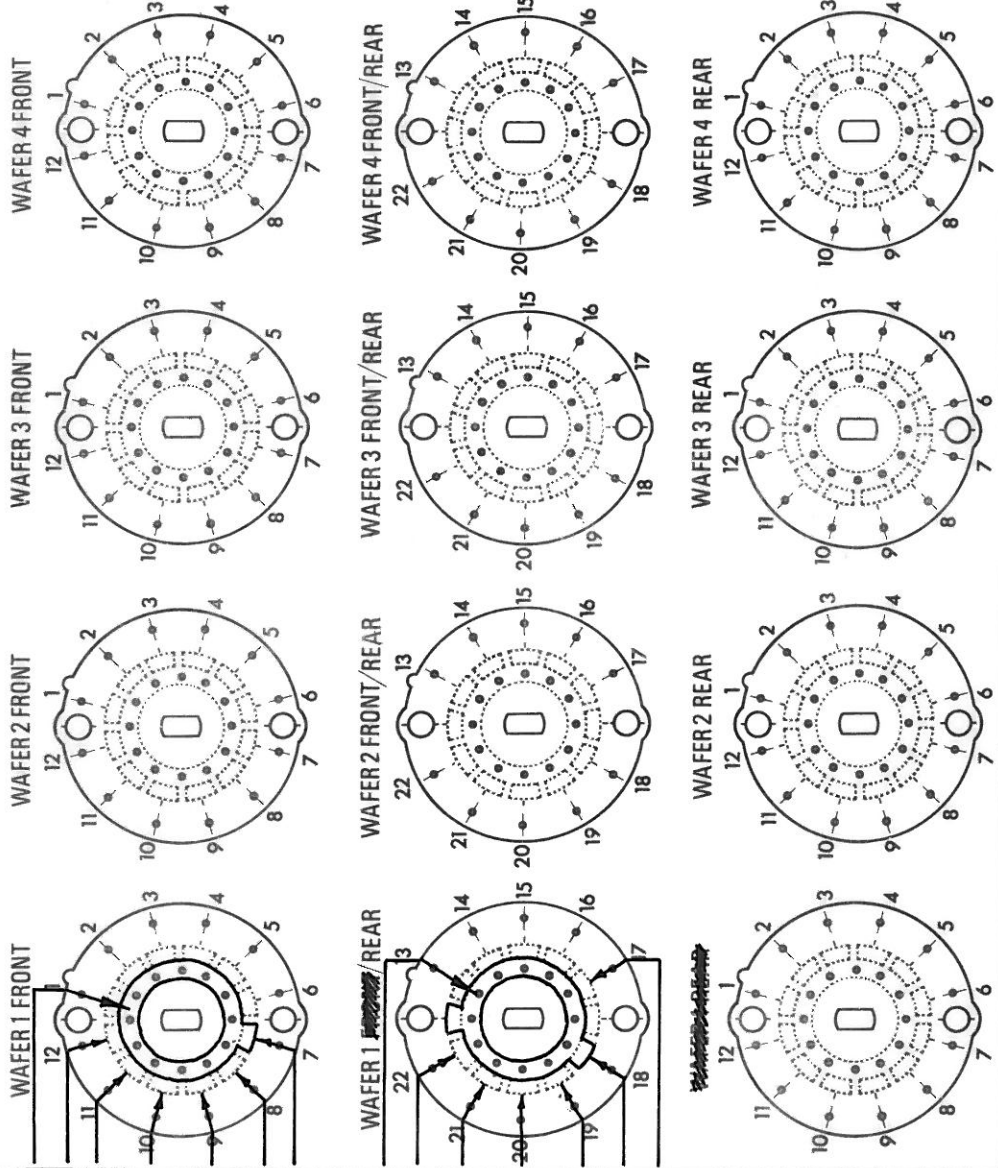
|                                                                       |                               |
|-----------------------------------------------------------------------|-------------------------------|
| <b>NOTES</b>                                                          |                               |
| PREFERRED MECHANISM TYPE MU, see Engineering Data Sheet 101           |                               |
| For STANDARD CONTACT ARRANGEMENTS see Engineering Bulletins 25a & 29a |                               |
| SEALED/NON SEALED                                                     |                               |
| WAFER TYPE MA/MAK                                                     |                               |
| No. of POSITIONS                                                      |                               |
| No. of WAFERS                                                         | WAFER ONLY (if 12 with Stone) |
| WAFER TYPE                                                            | STANDARD                      |
| INDEX SPRINGS                                                         |                               |
| TORQUE: LIGHT/MEDIUM/HEAVY                                            |                               |
| MARKING (if required)                                                 |                               |

WAFER ONLY.  
 FIT P.C. CONTACT FRAMES  
 22198A AND 22199A.  
 FIT DEF. MOULD 222062.

|       |          |          |                 |
|-------|----------|----------|-----------------|
| 2     | 15/10/87 | DATE     | REF MOULD ADDED |
| ISSUE | 79308    | C.N. No. | CHANGE          |

|                    |                        |
|--------------------|------------------------|
| CHANGES            |                        |
| RAISED: <i>ABE</i> | CHECKED: DATE: 15/1/87 |
| CUSTOMER: FARNELL  |                        |
| PART No. 149-178   |                        |

N.S.F.  
 SPEC. No. 455772 MA



ALL OTHER DIMENSIONS AS