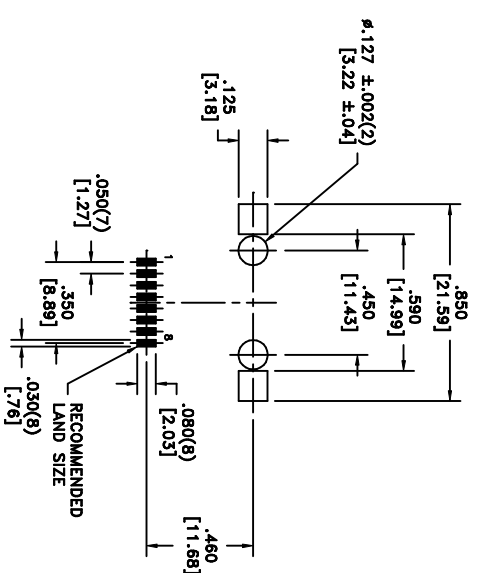
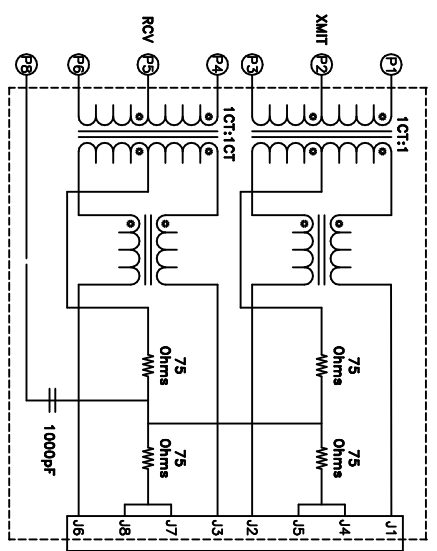
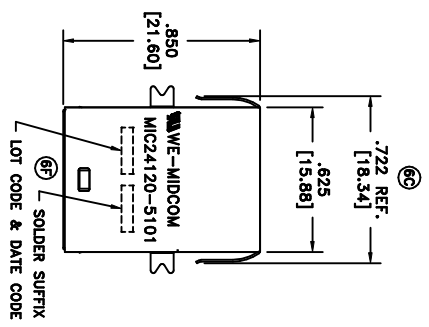
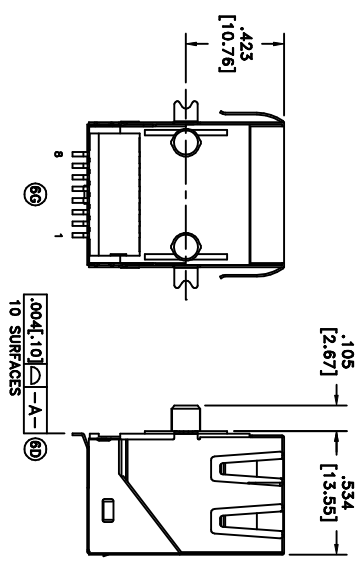
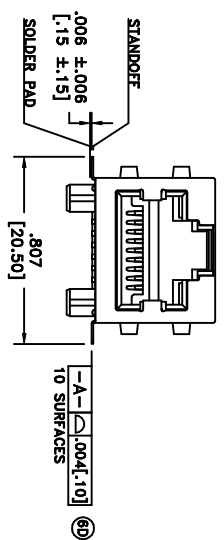


SOLDER SUFFIX	CUSTOMER TERMINAL	RoHS	LEAD(Pb)-FREE
LF3	SN100X	Yes	Yes



P.C. PATTERN, COMPONENT SIDE

ELECTRICAL SPECIFICATIONS @ 25°C unless otherwise noted:

INDUCTANCE: 350uH min., 100kHz, 100mV, 8mADC, J1-J2; J3-J6, Lp.

DIELECTRIC RATING: 1500Vrms for 1 minute between P1-J1 (tie P1+P4).

TURNS RATIO/POLARITY: (P1-P3):(J1-J2) = 1:1, ±2%. (P4-P6):(J3-J6) = 1:1, ±2%.

INSERTION LOSS: -1.0dB max., 1MHz - 100MHz.

RETURN LOSS: -18dB min., 1M - 30MHz. -16dB min., 30M - 45MHz. -14dB min., 45M - 60MHz. -12dB min., 60M - 80MHz.

CROSSTALK: -35dB min., 1MHz - 100MHz.

COMMON MODE REJECTION: -35dB min., 1MHz - 100MHz.

OPERATING TEMPERATURE RANGE: 0°C to +70°C.

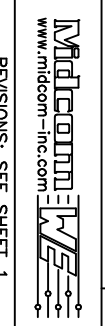
Midcom p/n MIC24120-5101R-LF3 is eISos p/n: 7498011002R. Midcom p/n MIC24120-5101W-LF3 is eISos p/n: 7498011002.

REV.	DATE
6F	6/07
6G	7/08
6H	

Packaging Specifications
Method: Tape & Reel or Tray
PKG-0563 or PKG-0547
www.midcom-inc.com

Unless otherwise specified:
Tolerances: Fractions: ±1/64
Decimals: ±.010 [25]
Angles: ±1°
This drawing is dual dimensioned. Dimensions in brackets are in millimeters.

DRAWING TITLE
TRANSFORMER
10/100Mbs



DRAWING NO. MIC24120-5101X-LF3
SCALE: ---
SHEET 2 OF 7

PACKAGING TABLE		(6E)
X	PACKAGE	
R	TAPE & REEL	
W	TRAY	AGENCY NUMBER UL60950-1 E205930