



Xenon Beacons

- Compact, ultra modern sleek appearance
- Lightweight and easy to install with first-fix option on the standard model
- Weatherproof to IP65
- White high quality polycarbonate housing to suit most decors
- Standard Xenon Beacon offers 12V and 24V option in one user-selectable unit and vandal-resistant safety locking mechanism
- Synchronised model available for an enhanced visual signal

Flashguard multipurpose weatherproof xenon beacons are ideal as visual indicators in industrial and commercial environments, security systems, fire risk and hazard warning situations with a modern profile to compliment any mounting position.

All Flashguard beacons have a Fresnel lens for greater visibility and reverse polarity protection as standard. Four xenon beacon styles are available: Standard, Fire, Ultra Low Profile and Low Profile. A choice of lens colours, voltage and output (1W, 2W and 3W) are also available.

Standard: includes a terminal block and a 27mm deep base supplied with a seal and grommet.

Fire: includes a terminal block with flying leads and a 27mm deep base supplied with a seal and grommet.

Ultra Low Profile: comes complete with a screw and nylon wing nut and is supplied with mounting gasket and 40cm of cable.

A Low Profile style, i.e. without the base, is available on request.

An optional Weatherproof cable connector is also available, upgrading the IP65 rating to IP67.

Applications

- Fire alarm
- Security alert
- Emergency warning
- Process control alarm

Fire ✓

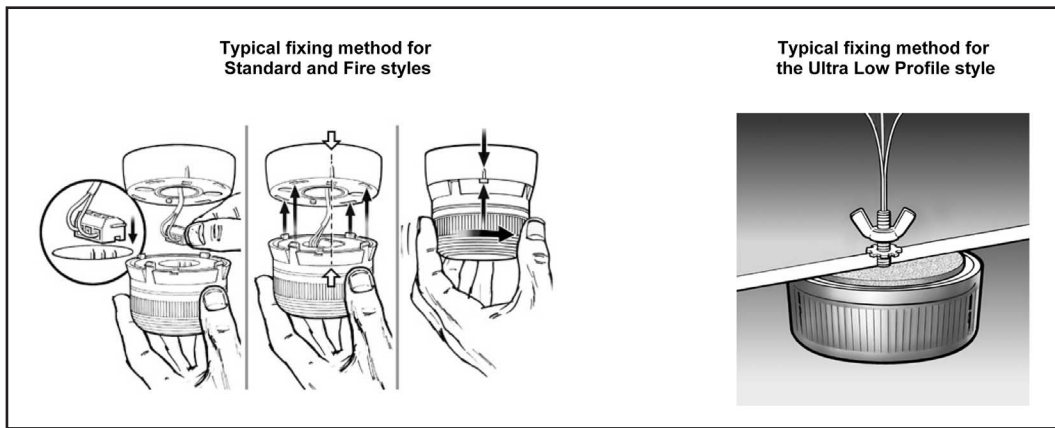
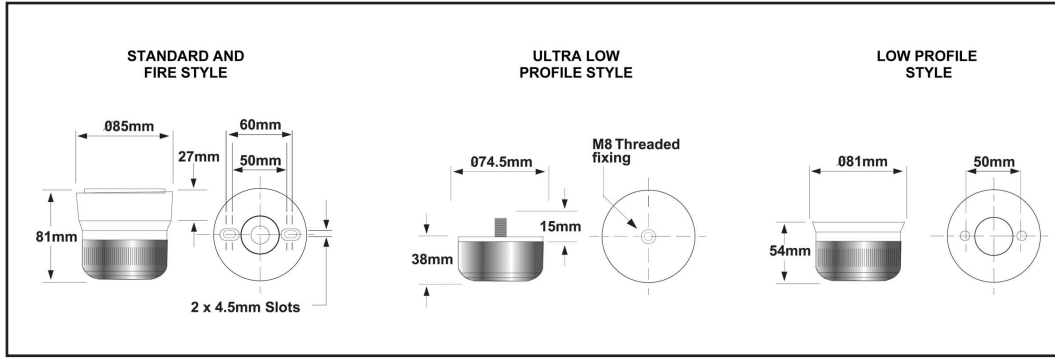
Industrial ✓

Hazardous Area ✗

Security ✓

Railway/Marine ✓

Public Warning ✗



If a higher IP rating is required, a Weatherproof Cable Connector is available, designed to upgrade our Standard and Fire style beacons to IP67 for outdoor/storm applications. Two versions are available, for AC (Part No. 45-710001) and DC (Part No. 45-710002) types.

- Simple push-on installation
- Provides IP67 seal when installed
- 100cm cable length with moulded plug to fit into beacon body



| Type and Style | Part No. Red Lens | Part No. Amber Lens | Part No. Clear Lens | Part No. Blue Lens | Part No Green Lens | Voltage | Power | Current | Flash Rate |
|-------------------------|-------------------|---------------------|---------------------|--------------------|--------------------|------------|-------|------------|------------|
| Xenon Standard | 45-711311 | 45-711321 | 45-711331 | 45-711341 | 45-711351 | 110V AC | 3W | 24mA | 1Hz |
| Xenon Standard | 45-712311 | 45-712321 | 45-712331 | 45-712341 | 45-712351 | 230V AC | 3W | 15mA | 1Hz |
| Xenon Standard | 45-713311 | 45-713321 | 45-713331 | 45-713341 | 45-713351 | 12/24V DC* | 3W | 140mA/85mA | 1Hz |
| Xenon Fire | 45-713318 | 45-713328 | 45-713338 | 45-713348 | 45-713358 | 12/24V DC* | 3W | 140mA/85mA | 1Hz |
| Xenon Synchronised Fire | 45-717318 | 45-717328 | 45-717338 | 45-717348 | 45-717358 | 24V DC | 3W | 50mA | 1Hz |
| Xenon Standard | 45-713211 | 45-713221 | 45-713231 | 45-713241 | 45-713251 | 12/24V DC* | 2W | 115mA/70mA | 1Hz |
| Xenon Fire | 45-713218 | 45-713228 | 45-713238 | 45-713248 | 45-713258 | 12/24V DC* | 2W | 115mA/70mA | 1Hz |
| Xenon Standard | 45-713111 | 45-713121 | 45-713131 | 45-713141 | 45-713151 | 12/24V DC* | 1W | 60mA/45mA | 1Hz |
| Xenon Fire | 45-713118 | 45-713128 | 45-713138 | 45-713148 | 45-713158 | 12/24V DC* | 1W | 60mA/45mA | 1Hz |
| Xenon Ultra Low Profile | 45-713213 | 45-713223 | 45-713233 | 45-713243 | 45-713253 | 12/24V DC* | 2W | 115mA/70mA | 1Hz |

*These units are user-configurable

IP Rating: Standard and Fire versions: IP65; Ultra Low Profile version Standard and Fire versions with Weatherproof Cable Connector: IP67
Operating temp: -20°C to +40°C
Construction: Polycarbonate lens & UV stabilised polycarbonate/ABS body and base
Weight: 138g; Ultra Low Profile version: 83g