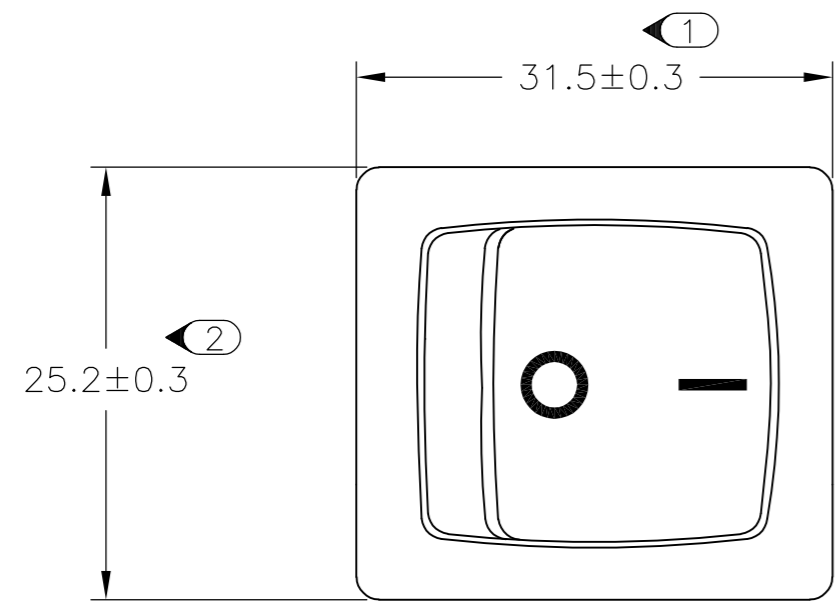
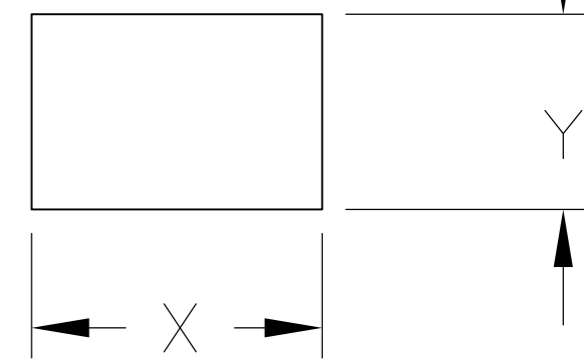


THIS DRAWING IS UNPUBLISHED. RELEASED FOR PUBLICATION 30/OCT ,2003.
 © COPYRIGHT 2003 BY TYCO ELECTRONICS CORPORATION. ALL RIGHTS RESERVED.

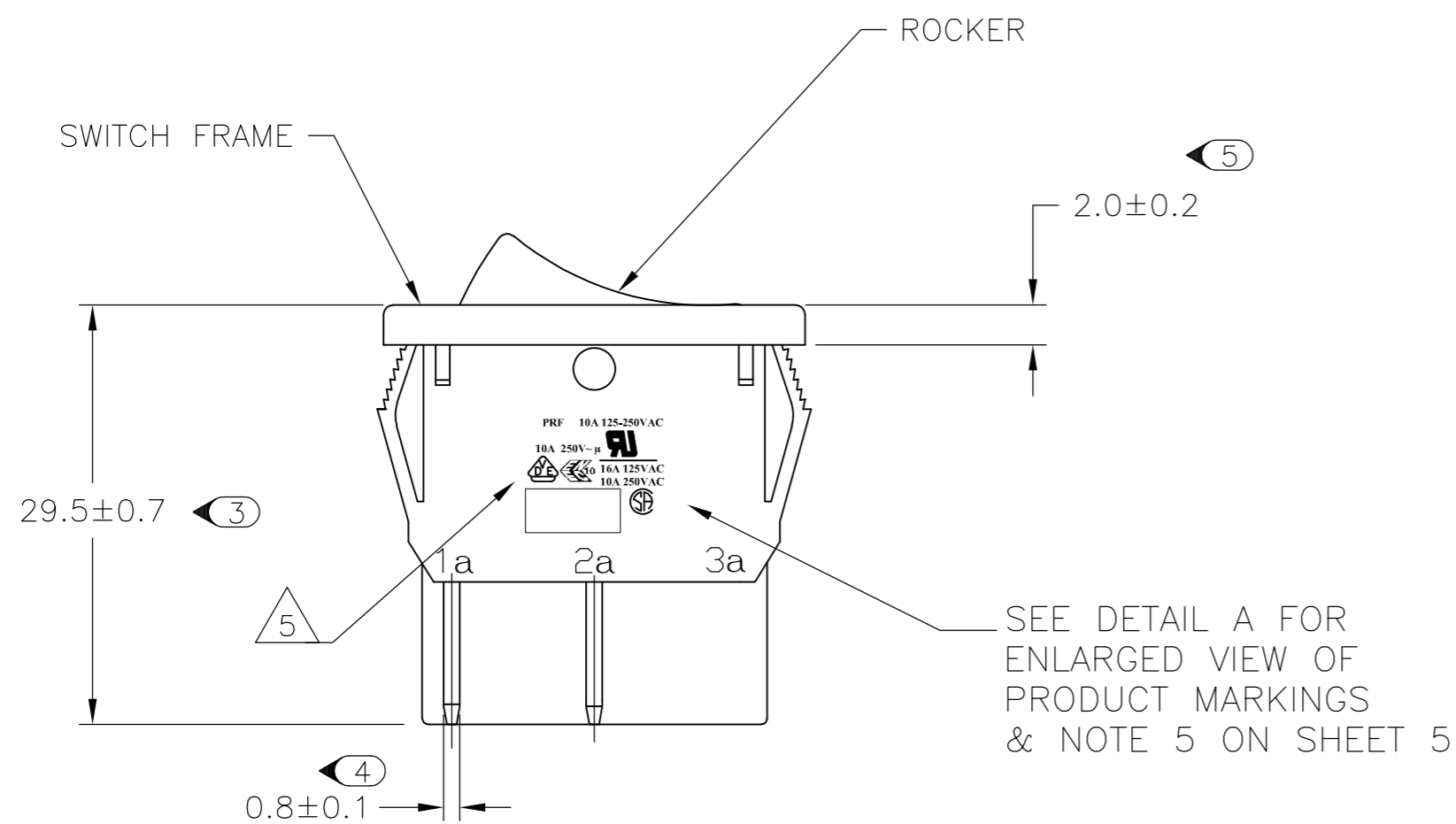
LOC		DIST		REVISIONS			
P	LTR	DESCRIPTION	DATE	DWN	APVD		
C1		REVISED PER ECO-10-007856	14APR10	HMR	NE		



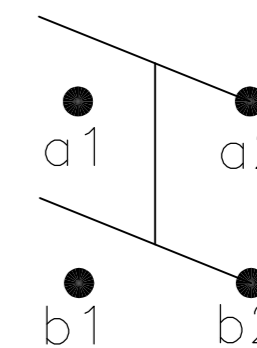
PANEL CUT OUT



2.00-3.00	30.20	22.20
1.25-2.00	30.20	22.20
0.75-1.25	30.20	22.20
PANEL THICKNESS	X	Y



CIRCUIT DIAGRAM



PRODUCT MARKING
DETAIL A

PRF 10A 125-250VAC

10A 250V~μ

16A 125VAC
10A 250VAC

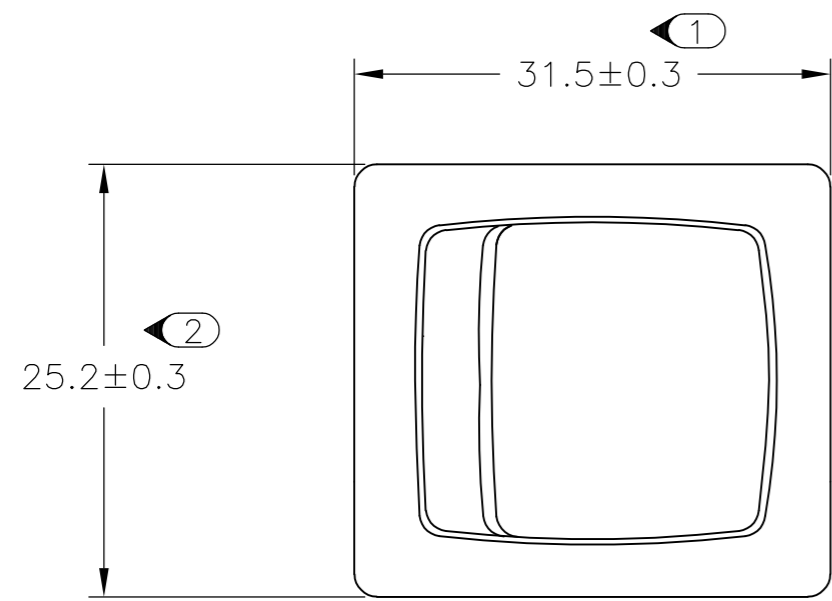
TYCO ELECTRONICS LOGO
PER TEC-202-36

6 1634201-2 SHOWN ON-OFF

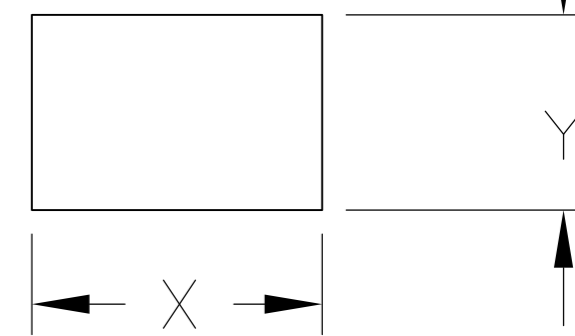
THIS DRAWING IS A CONTROLLED DOCUMENT.		DWN	28JAN2003	Tyco Electronics Corporation	
DIMENSIONS: MM		S.SHACKSON	28JAN2003	Harrisburg, PA 17057	
TOLERANCES UNLESS OTHERWISE SPECIFIED:		CHK	28JAN2003	NAME	
0 PLC	± -	H.KAUTZ	28JAN2003	POWER ROCKER SWITCH, 30.2mm X 22.2mm	
1 PLC	± 0.5	APVD	28JAN2003	PANEL CUT-OUT SIZE, DOUBLE POLE, SINGLE THROW, NON-ILLUMINATED	
2 PLC	±	PRODUCT SPEC		SIZE	CAGE CODE
3 PLC	±	APPLICATION SPEC		A2	00779
4 PLC	±			DRAWING NO	RESTRICTED TO
ANGLES	± -			C=1634201	-
FINISH	± -			SCALE	SHEET
				3:1	1 OF 5
MATERIAL				REV	C1

THIS DRAWING IS UNPUBLISHED. RELEASED FOR PUBLICATION 30/OCT ,2003.
 © COPYRIGHT 2003 BY TYCO ELECTRONICS CORPORATION. ALL RIGHTS RESERVED.

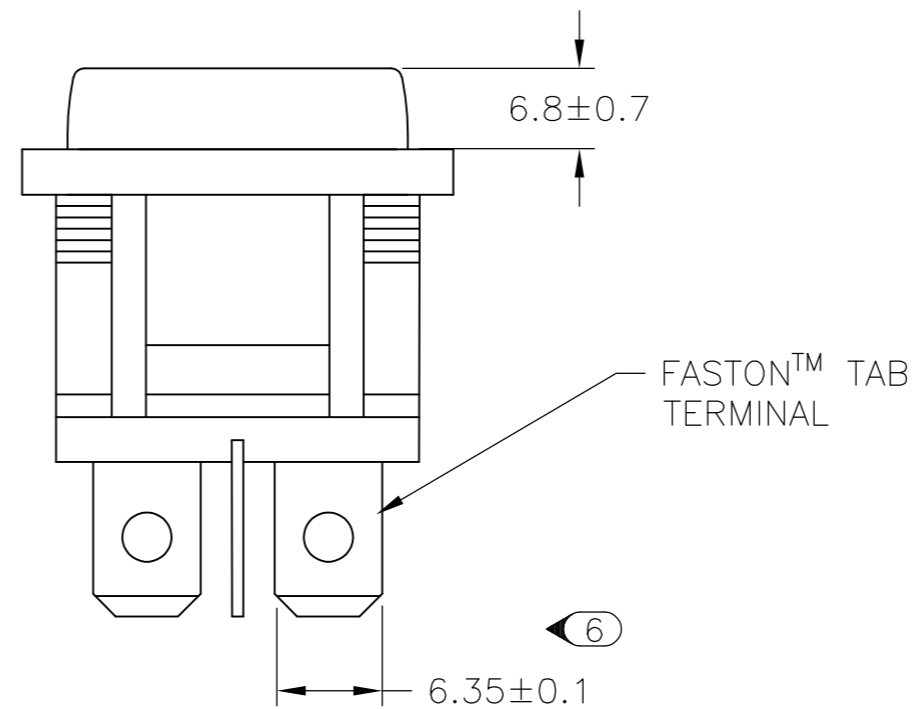
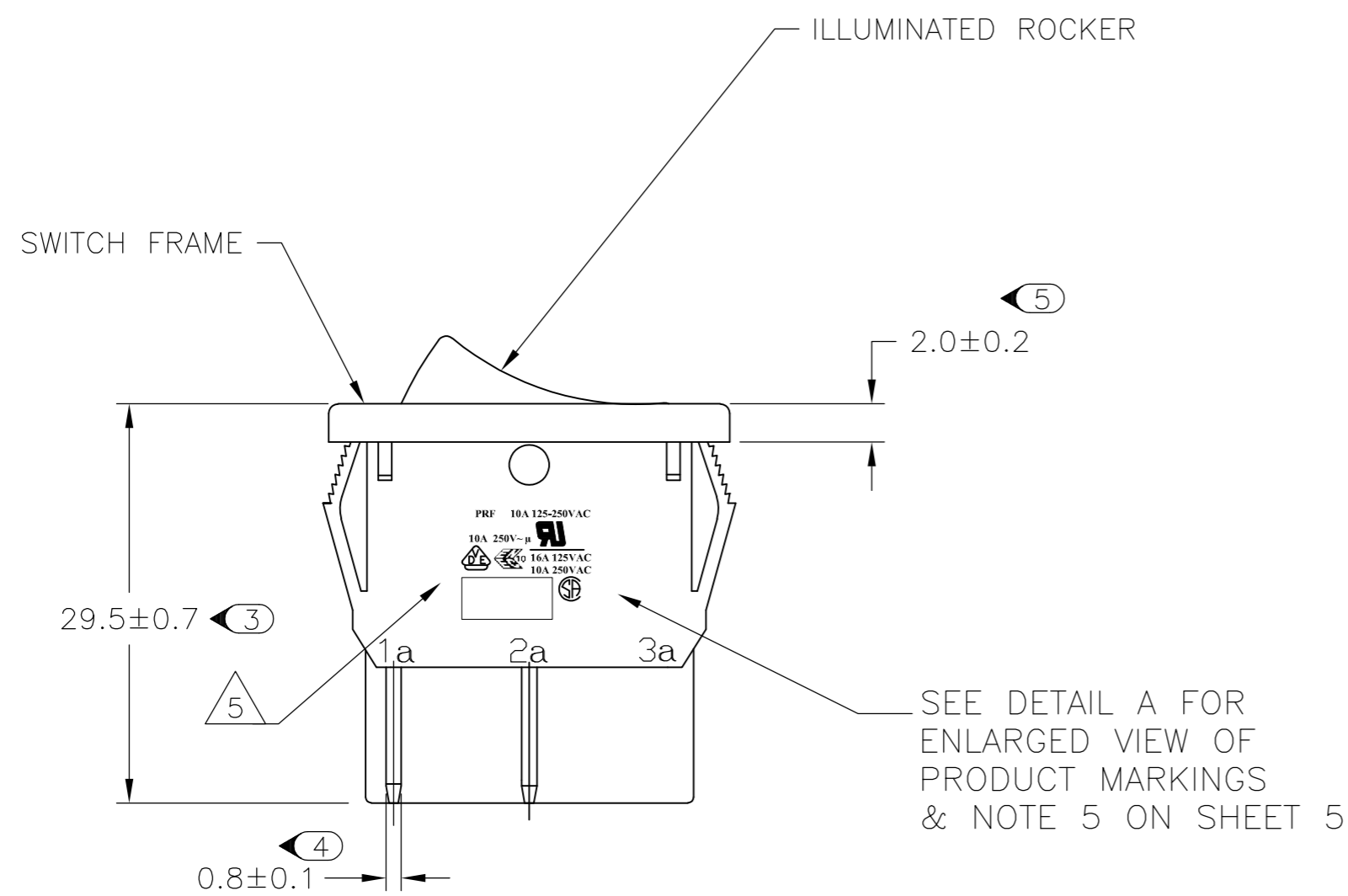
LOC	DIST	REVISIONS					
E	B	P	LTR	DESCRIPTION	DATE	DWN	APVD
		-		SEE SHEET 1		-	-



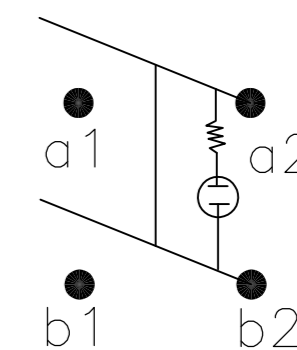
PANEL CUT OUT



2.00-3.00	30.20	22.20
1.25-2.00	30.20	22.20
0.75-1.25	30.20	22.20
PANEL THICKNESS	X	Y

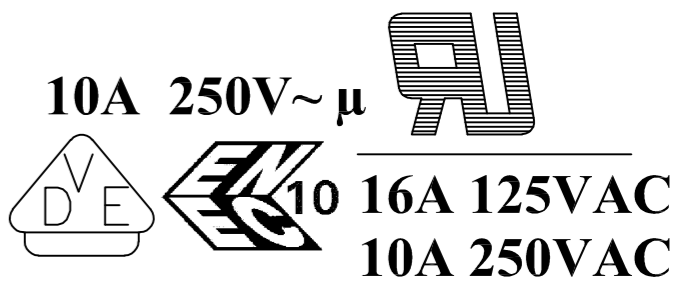


CIRCUIT DIAGRAM



PRODUCT MARKING
DETAIL A

PRF 10A 125-250VAC



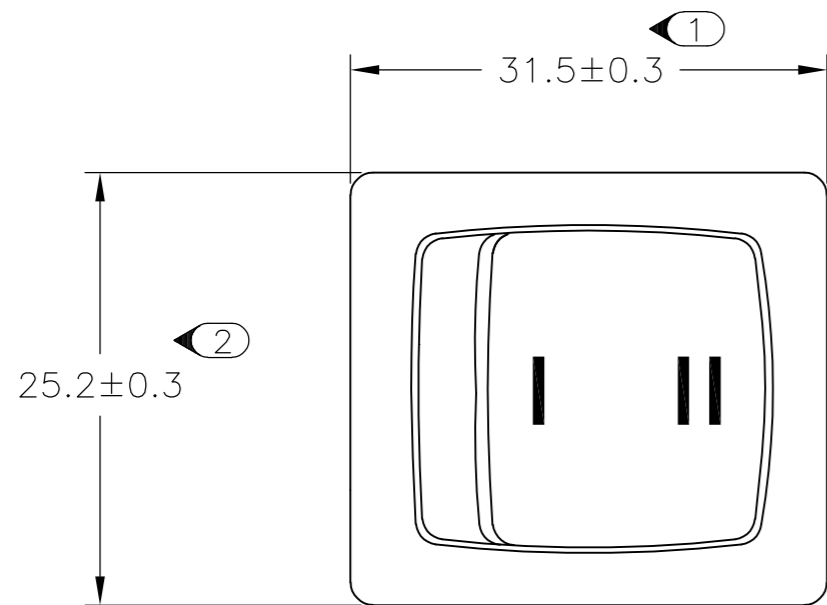
TYCO ELECTRONICS LOGO PER TEC-202-36

7 1634201-5 SHOWN ON-OFF GREEN ILLUMINATED

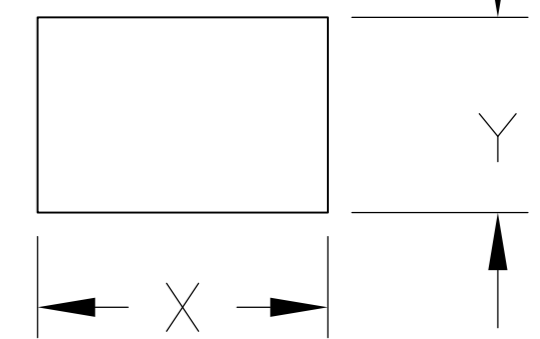
THIS DRAWING IS A CONTROLLED DOCUMENT.		DWN	28JAN2003	Tyco Electronics Corporation	
DIMENSIONS: MM		S.SHACKSON		Harrisburg, PA 17057	
TOLERANCES UNLESS OTHERWISE SPECIFIED:		CHK	28JAN2003	NAME	
0 PLC	± -	H.KAUTZ		POWER ROCKER SWITCH, 30.2mm X 22.2mm	
1 PLC	± 0.5	APVD	28JAN2003	PANEL CUT-OUT SIZE, DOUBLE POLE, SINGLE THROW, NON-ILLUMINATED	
2 PLC	±	PRODUCT SPEC		SIZE	RESTRICTED TO
3 PLC	± -	APPLICATION SPEC		A2	-
4 PLC	± -			CAGE CODE	
ANGLES	± -			00779	
FINISH	± -			DRAWING NO	
MATERIAL				C=1634201	
				SCALE	
				3:1	
				SHEET	
				2	
				OF	
				5	
				REV	
				C1	

THIS DRAWING IS UNPUBLISHED. RELEASED FOR PUBLICATION 30/OCT ,2003.
 © COPYRIGHT 2003 BY TYCO ELECTRONICS CORPORATION. ALL RIGHTS RESERVED.

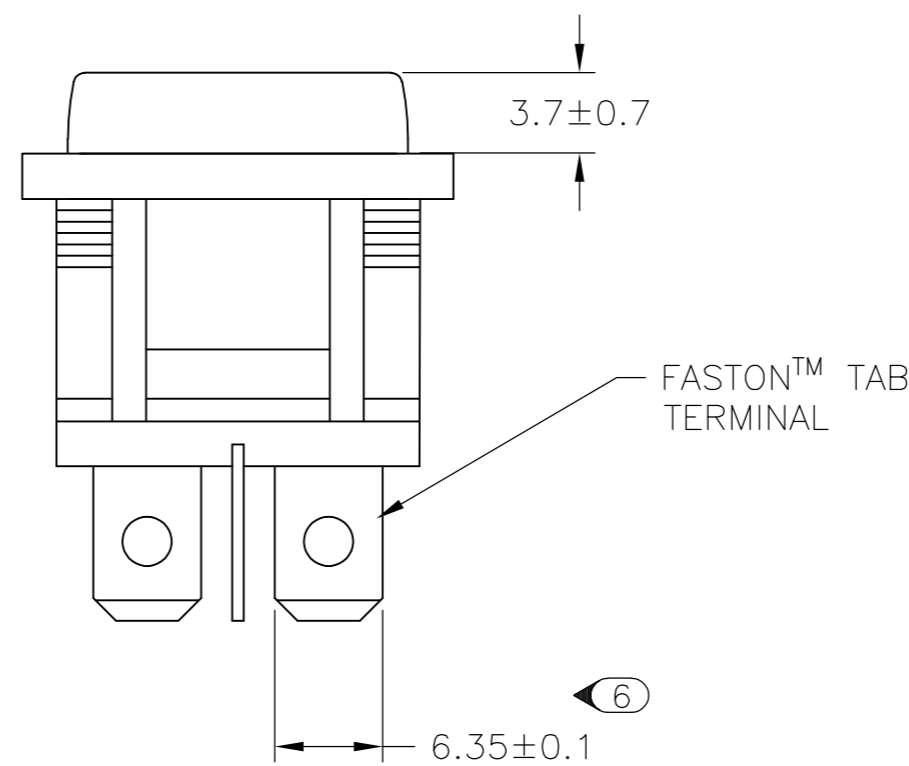
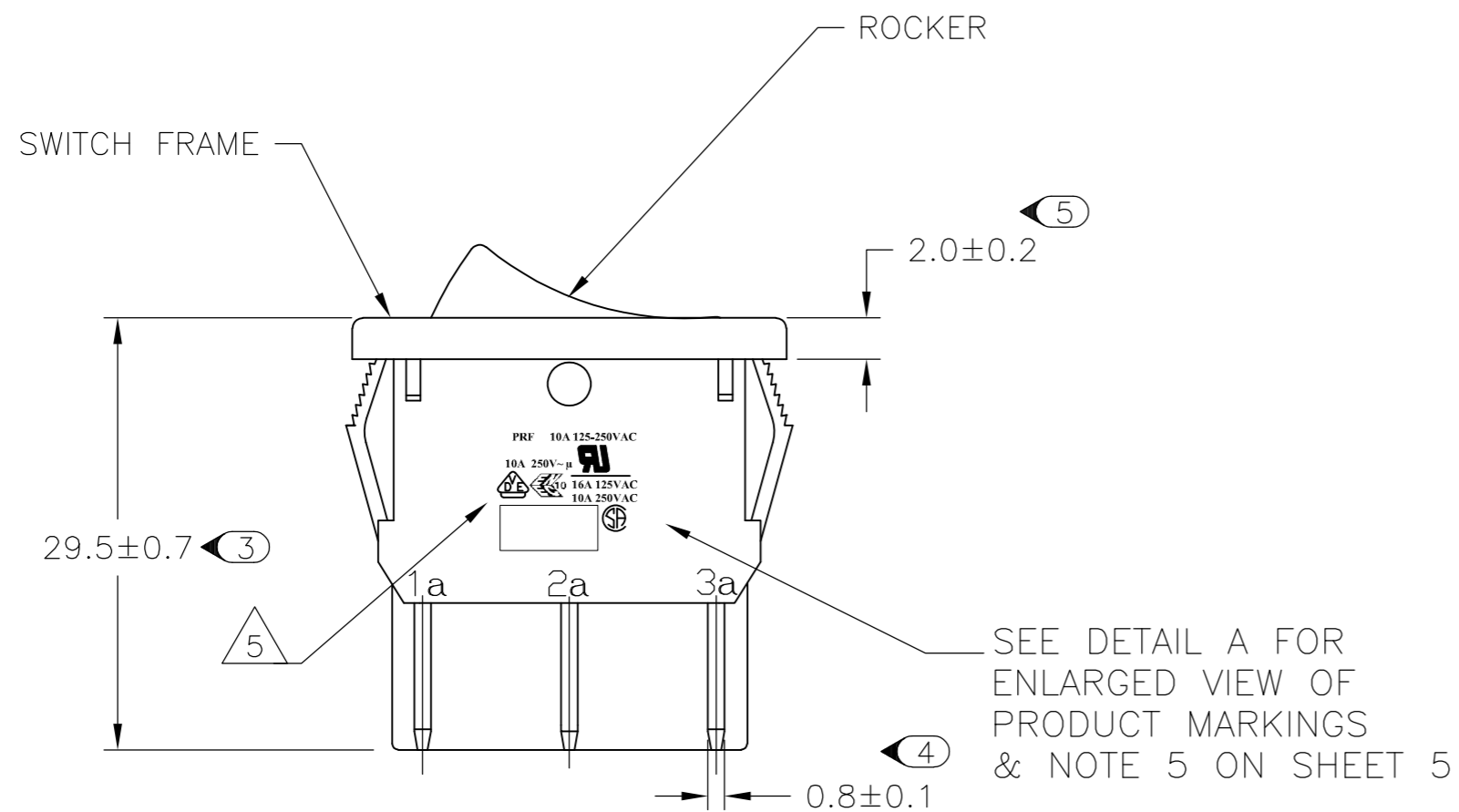
LOC		DIST		REVISIONS			
P	LTR	DESCRIPTION	DATE	DWN	APVD		
-	-	SEE SHEET 1	-	-	-		



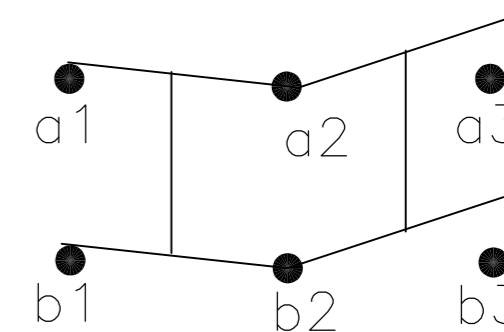
PANEL CUT OUT



2.00-3.00	30.20	22.20
1.25-2.00	30.20	22.20
0.75-1.25	30.20	22.20
PANEL THICKNESS	X	Y



CIRCUIT DIAGRAM



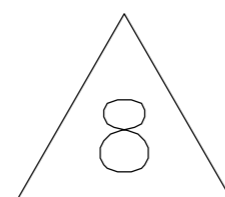
PRODUCT MARKING
DETAIL A

PRF 10A 125-250VAC

10A 250V~μ

16A 125VAC
10A 250VAC

TYCO ELECTRONICS LOGO PER TEC-202-36



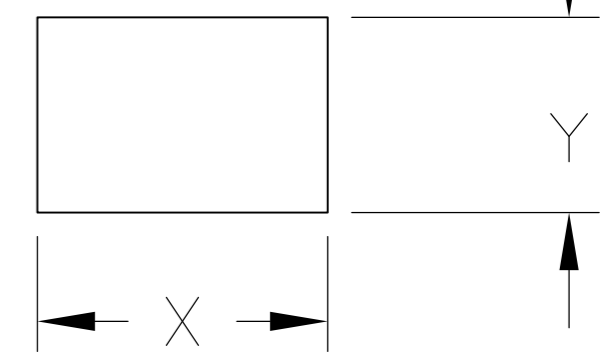
1634201-8 SHOWN ON-ON

THIS DRAWING IS A CONTROLLED DOCUMENT.		DWN	28JAN2003	Tyco Electronics Corporation	
DIMENSIONS: MM		S.SHACKSON	28JAN2003	Harrisburg, PA 17057	
TOLERANCES UNLESS OTHERWISE SPECIFIED:		CHK	28JAN2003	NAME	
0 PLC	± -	H.KAUTZ	28JAN2003	POWER ROCKER SWITCH, 30.2mm X 22.2mm	
1 PLC	± 0.5	APVD	28JAN2003	PANEL CUT-OUT SIZE, DOUBLE POLE, SINGLE THROW, NON-ILLUMINATED	
2 PLC	±	PRODUCT SPEC		SIZE	RESTRICTED TO
3 PLC	± -	APPLICATION SPEC		A2	-
4 PLC	± -			CAGE CODE	DRAWING NO
ANGLES	± -			00779	C=1634201
FINISH	± -			SCALE	SHEET
MATERIAL				3:1	3 OF 5
				CUSTOMER DRAWING	REV C1

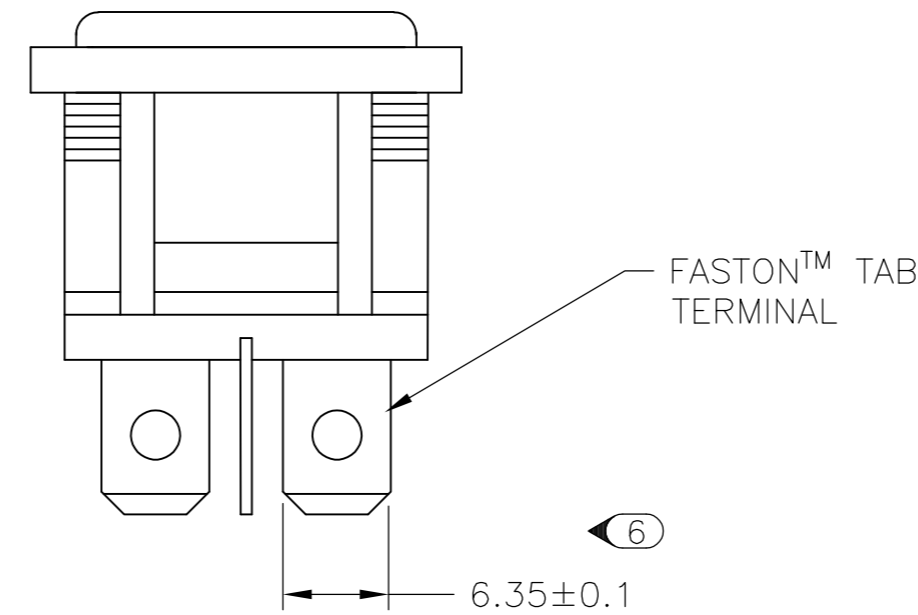
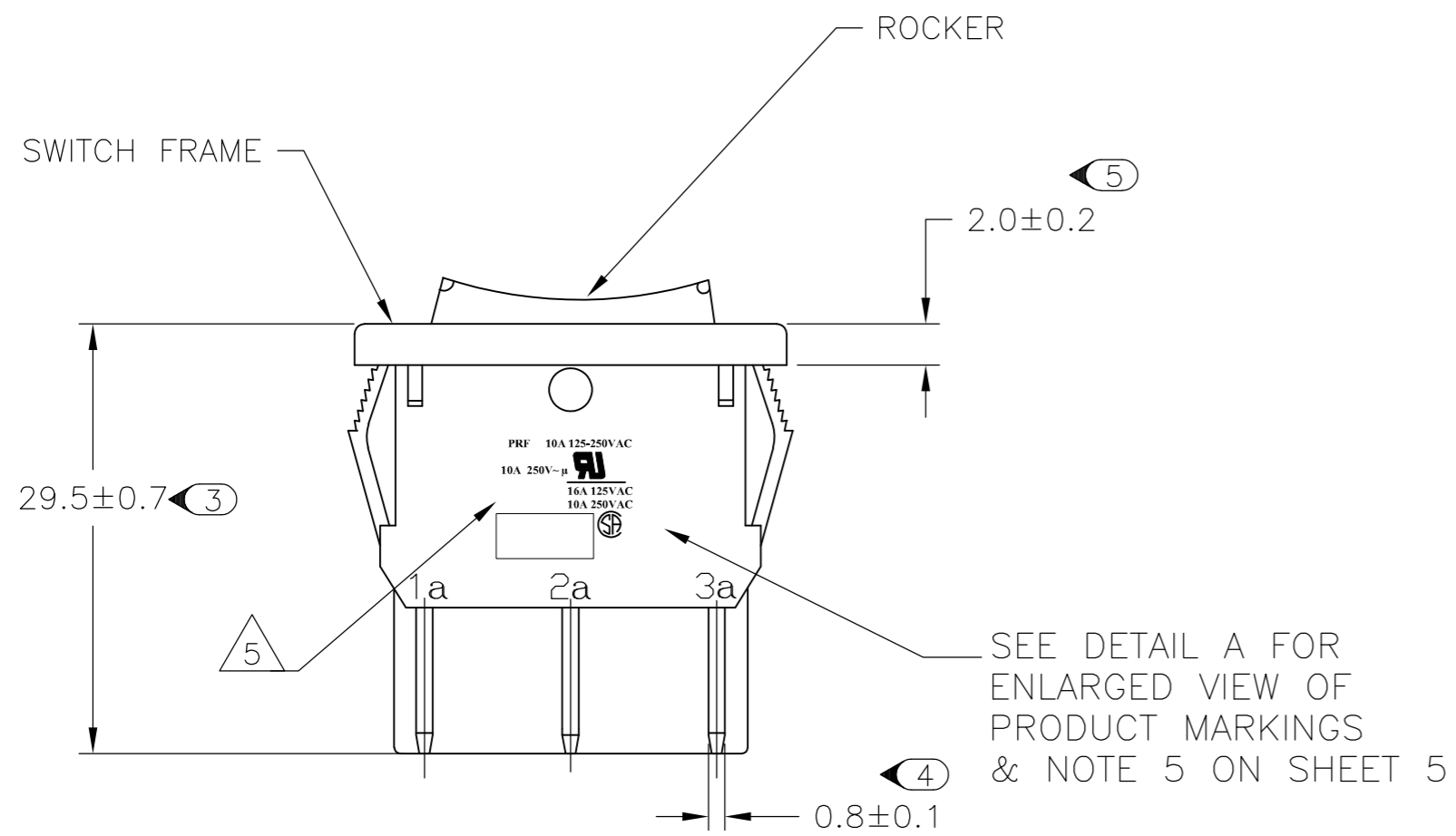
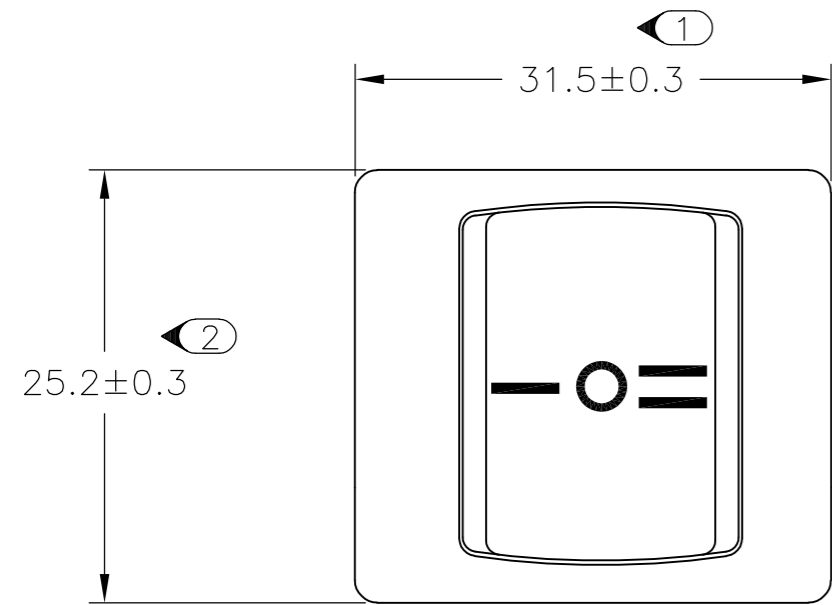
THIS DRAWING IS UNPUBLISHED. RELEASED FOR PUBLICATION 30/OCT ,2003.
 © COPYRIGHT 2003 BY TYCO ELECTRONICS CORPORATION. ALL RIGHTS RESERVED.

LOC	DIST	REVISIONS					
E	B	P	LTR	DESCRIPTION	DATE	DWN	APVD
		-		SEE SHEET 1		-	-

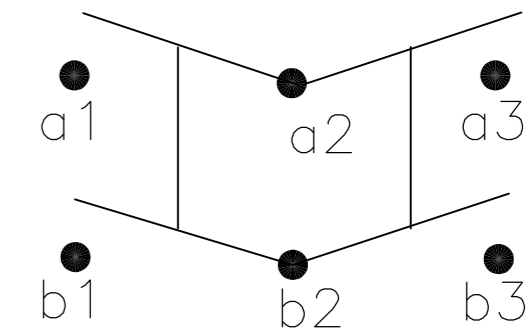
PANEL CUT OUT




2.00-3.00	30.20	22.20
1.25-2.00	30.20	22.20
0.75-1.25	30.20	22.20
PANEL THICKNESS	X	Y



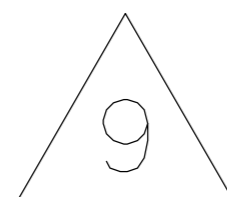
CIRCUIT DIAGRAM



PRODUCT MARKING DETAIL A

PRF 10A 125-250VAC
10A 250V~μ 
16A 125VAC
10A 250VAC

TYCO ELECTRONICS LOGO
PER TEC-202-36



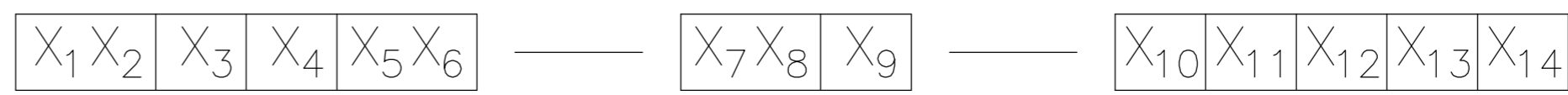
1-1634201-2 SHOWN ON-OFF-ON

THIS DRAWING IS A CONTROLLED DOCUMENT.		DWN	28JAN2003	Tyco Electronics Corporation Harrisburg, PA 17057
DIMENSIONS: MM		S.SHACKSON	28JAN2003	
TOLERANCES UNLESS OTHERWISE SPECIFIED:		CHK	H.KAUTZ	SIZE A2
0 PLC ± -		APVD	H.KAUTZ	
1 PLC ± 0.5		PRODUCT SPEC	DRAWING NO C=1634201	
2 PLC ± -		APPLICATION SPEC	RESTRICTED TO	
3 PLC ± -		WEIGHT	-	
4 PLC ± -		FINISH	-	
ANGLES ± -		CUSTOMER DRAWING	SCALE	3:1
MATERIAL		SHEET		4 OF 5
		REV		C1

THIS DRAWING IS UNPUBLISHED. RELEASED FOR PUBLICATION 30/OCT ,2003.
 © COPYRIGHT 2003 BY TYCO ELECTRONICS CORPORATION. ALL RIGHTS RESERVED.

LOC	DIST	REVISIONS			
P	LTR	DESCRIPTION	DATE	DWN	APVD
-	-	SEE SHEET 1	-	-	-

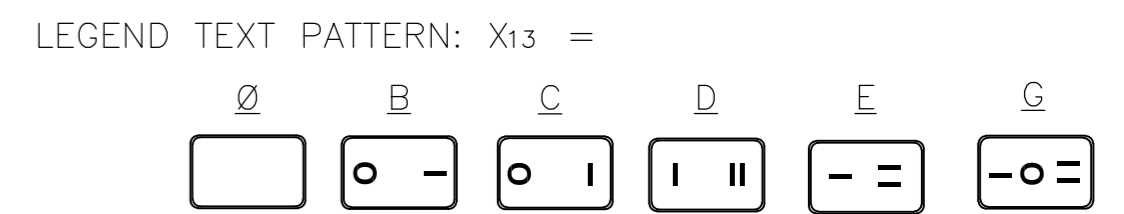
ALCOSWITCH PART NUMBER



- 1 MATERIALS:
HOUSING FRAME: NYLON 66.
ACTUATOR: NYLON 66/ PC(ILLUMINATED)
TERMINALS C1100R-1/2H WITH SILVER PLATED CONTACTS AgALLOY
- 2 FINISH:
TERMINAL, ACTIVE CONTACTOR: 1.0µm [.000039] SILVER
PLUNGER: 3.0mm[.000118] NICKEL
- 3 ELECTRICAL SPECIFICATIONS:
CONTACT RESISTANCE : 50m ohm Max
DIELECTRIC STRENGTH : AC 1500V, 1 MINUTE
OPERATION TEMPERATURE: -20°C~85°C
INSULATION R: DC 500V 100M ohm MIN
- 4 CURRENT AND VOLTAGE 16A@125VAC/10A@250VAC
- 5 ELECTRICAL RATINGS, APPROVED AGENCY LOGOS,
TE LOGO PER TEC-202-36 APPROXIMATELY AS SHOWN
AND PART NUMBER CAN APPEAR ON EITHER SIDE
(FOR FULL DETAIL SEE INDIVIDUAL DRAWING)
- 6 ON-OFF, WITH OPAQUE, SINGLE-COLOR ROCKER BUTTON.
- 7 ON-OFF, WITH TRANSPARENT, LAMP-ILLUMINATED ROCKER BUTTON.
- 8 ON-ON, WITH OPAQUE, SINGLE-COLOR ROCKER BUTTON.
- 9 ON-OFF-ON, WITH OPAQUE, SINGLE-COLOR ROCKER BUTTON.
- 10 PACKAGING TO CONFORM WITH TYCO SPEC. 107-115
- 11 REFER TO QIP DIMENSIONAL REPORT

SWITCH TYPE: X1 X2 = PR - POWER ROCKER
 NOMINAL PANEL CUT OUT SIZE: X3 = F - 30.2X22.2 [.1.189x.874]
 NUMBER OF POLES: X4 = D - DOUBLE
 SWITCH FUNCTION: X5 X6 = A1 - 6
 B1 - 7
 D1 - 8
 D3 - 9
 CURRENT RATING: X7 X8 = 16 - 4
 TERMINAL TYPE: X9 = F - FASTON™ TAB
 FRAME COLOR: X10 = B - BLACK
 W - WHITE
 ROCKER COLOR: X11 = B - BLACK
 G - GREEN
 R - RED
 Y - YELLOW

SECONDARY ROCKER COLOR: X12 = Ø - NOT APPLICABLE
B - BLACK
G - GREEN
R - RED
W - WHITE



LEGEND TEXT COLOR: X14 = Ø - NOT APPLICABLE
G - GREEN
R - RED
B - BLACK
W - WHITE

SHEET REF	ALCO SWITCH PART NUMBER.	TE PART NUMBER.
1	PRFDA 1-16F-BB000	0-1634201-1
1	PRFDA 1-16F-BB0BW	0-1634201-2
1	PRFDA 1-16F-BB0CW	0-1634201-3
2	PRFDB 1-16F-BR000	0-1634201-4
2	PRFDB 1-16F-BG000	0-1634201-5
2	PRFDB 1-16F-BY000	0-1634201-6
3	PRFDD 1-16F-BB000	0-1634201-7
3	PRFDD 1-16F-BB0DW	0-1634201-8
3	PRFDD 1-16F-BB0EW	0-1634201-9
4	PRFDD 3-16F-BB000	1-1634201-0
4	PRFDD 3-16F-BB0EW	1-1634201-1
4	PRFDD 3-16F-BB0GW	1-1634201-2

THIS DRAWING IS A CONTROLLED DOCUMENT.		DWN S.SHACKSON 28JAN2003	Tyco Electronics Corporation Harrisburg, PA 17057	
DIMENSIONS: MM		CHK H.KAUTZ 28JAN2003	NAME POWER ROCKER SWITCH, 30.2mm X 22.2mm PANEL CUT-OUT SIZE, DOUBLE POLE, SINGLE THROW, NON-ILLUMINATED	
TOLERANCES UNLESS OTHERWISE SPECIFIED:		APVD H.KAUTZ 28JAN2003	PRODUCT SPEC NOT APPLICABLE	
0 PLC ± -		APPLICATION SPEC NOT APPLICABLE		
1 PLC ± 0.5		SIZE A2	CAGE CODE 00779	DRAWING NO C=1634201
2 PLC ± -		RESTRICTED TO -		
3 PLC ± -		SCALE 3:1		
4 PLC ± -		SHEET 5 OF 5		
ANGLES ± -		REV C1		
FINISH		CUSTOMER DRAWING		