



Marquardt GmbH
Schloss-Str. 16
78604 Rietheim-Weilheim

Germany

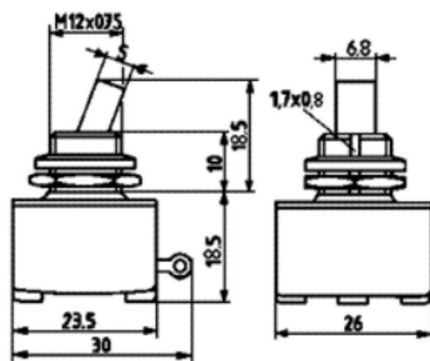
Phone
: +49 (0) 7424 / 99-0
Fax : +49 (0) 7424 / 99-2399

Net : www.marquardt.de
E-mail : marquardt@marquardt.de


Product image / Drawings



Similar to original product



Technical data

Product number	0132.0101
Actuator color / printing	
Business unit	Switches & Sensors
Product Manager	Mattes
Product family	Toggle switches
Weight	23.300 g
ROHS conform	yes
Switching function	ON / OFF switch (DPST)
Material fixed contact	CuZn silver-plated
Number of poles connections	2-polig Solder terminal
Mechanical life endurance	5E4
Rating IEC	2 A 250 V 1E4
Actuators and additional actuators	lever: PA, black
Housing description	base plate: Type 31, black bracket plate: CnZn nickel-plated, with labelling 0 - I threaded socket: CnZn nickel-plated, with knurled nut and hexagonal nut of nickel-plated CuZn
Connection surface	bearing connection silver plated external connection silver plated
Contact material	CuZn silver plated
Contact type	jump contact (roll contact)
Miscellaneous	actuating torque 90.0 Nmm ± 27.0
Type of fastening	central fastening M12 x 0.75