



Marquardt GmbH  
Schloss-Str. 16  
78604 Rietheim-Weilheim

Germany

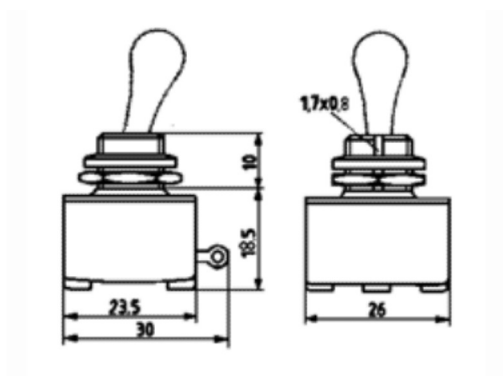
Phone  
: +49 (0) 7424 / 99-0  
Fax : +49 (0) 7424 / 99-2399

Net : [www.marquardt.de](http://www.marquardt.de)  
E-mail : [marquardt@marquardt.de](mailto:marquardt@marquardt.de)


## Product image / Drawings



Similar to original product



## Technical data

<b>Product number</b>	<b>0132.0601</b>
Actuator color / printing	
Business unit	Switches & Sensors
Product Manager	Mattes
Product family	Toggle switches
Weight	27.296 g
ROHS conform	yes
Switching function	ON / OFF switch (DPST)
Material fixed contact	CuZn silver-plated
Number of poles connections	2-polig Solder terminal
Mechanical life endurance	5E4
Rating IEC	2 A 250 V 1E4
Actuators and additional actuators	lever: metal
Housing description	base plate: Duroplast, black bracket plate: CnZn nickel-plated, with labelling 0 - I threaded socket: CnZn nickel-plated, with knurled nut and hexagonal nut of nickel-plated CuZn
Connection surface	bearing connection silver plated external connection silver plated
Contact material	CuZn silver plated
Contact type	jump contact (roll contact)
Miscellaneous	actuating torque 90.0 Nmm ± 27.0
Type of fastening	central fastening M12 x 0.75