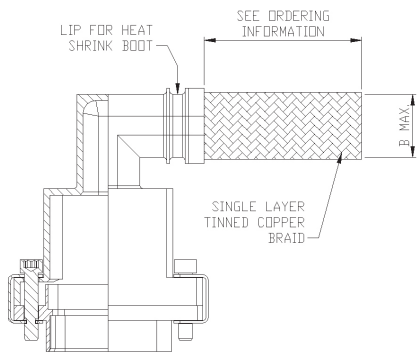
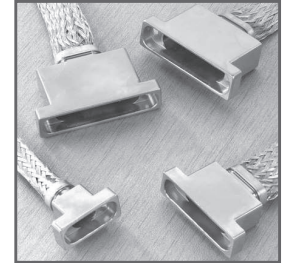


Dura-Con High Reliability Back Shells-MMBS

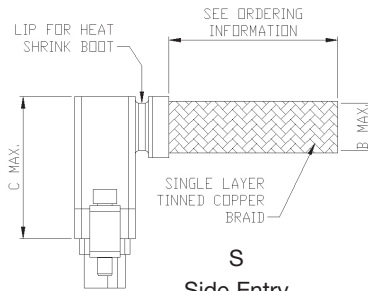


FEATURES

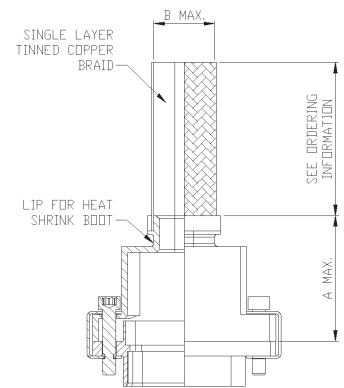
- **MMBS is a complete range of EMC protected back shells, delivered with their braid at specified length available in all shell sizes and 4 cable entry types.**



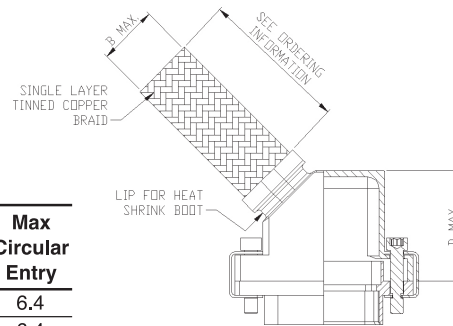
R
Top Entry 90°



S
Side Entry



T
Top Entry



F
45° Entry

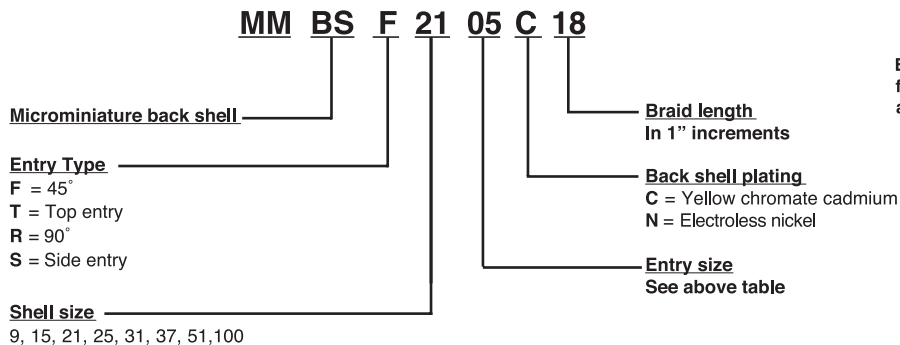
Dimensions Table

Shell size	A Max	C Max	D Max	Max Circular Entry
9	17.5	16.0	17.0	6.4
15	17.5	16.5	18.0	6.4
21	17.5	17.5	19.0	6.4
25	20.5	18.5	21.0	6.4
31	20.5	19.0	22.0	6.4
37	25.5	19.0	24.0	6.4
51	25.5	22.0	25.0	7.9
100	30	25.5	27.0	9.5

Entry Size Table

Entry size	B Max
04	3.2
05	4.0
06	4.8
07	5.6
08	6.4
09	7.1
10	7.9
11	8.7
12	9.5
13	11.1
14	12.7
15	14.3
16	15.9
17	17.5

Ordering Information



Entry sizes 13 to 17 only available for side entry style. Oval spouts also available upon request.