

Connectors for Mini ISO Relays



**Features**

Connectors in 3 different versions

- **PCB Socket**  
With the solderable connector Mini ISO relays with plug-in terminals can be mounted on leadframes. This allows easy and reasonable replacement in case of service.
- **Connector**  
5 pole connector with snap-in pin to lock in frame.
- **Connector with Mounting Flap**  
5 pole connector that can be mounted individually or interlocked. The connector has a snap-in pin to lock in frame. The mounting bracket also allows screw-on.

Please order terminals separately.  
For AWG Conversion Table see page 236.

Please contact Tyco Electronics for relay application support.



333\_3Dco1

**Weight**

- PCB Socket  
Approx. 7.0 g (0.25 oz.)
- Connector  
Approx. 3.9 g (0.11 oz.)
- Connector with Mounting Flap  
Approx. 20.6 g (0.71 oz.)

**Conditions**

All parametric, environmental and endurance tests are performed according to EIA Standard RS-407-A at standard test conditions unless otherwise noted:  
23°C ambient temperature,  
20 - 50% RH, 998.9 ±33.9 hPa.

For general storage and processing recommendations please refer to our Application Notes and especially to *Storage* in the "Glossary" page 23 or at <http://relays.tycoelectronics.com/appnotes/>

**Disclaimer**

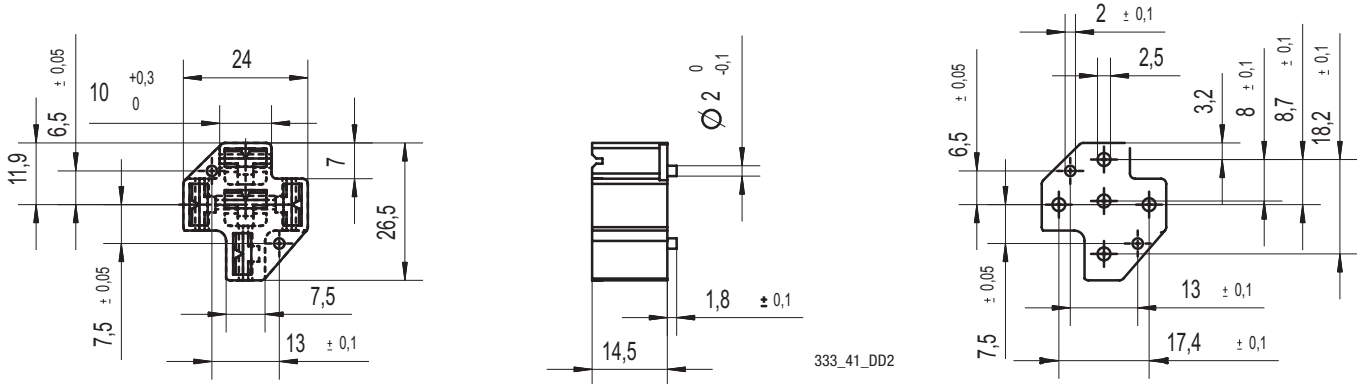
All technical performance data apply to the relay as such, specific conditions of the individual application are not considered. Please always check the suitability of the relay for your intended purpose. We do not assume any responsibility or liability for not complying herewith. We recommend to complete our questionnaire and to request our technical service. Any responsibility for the application of the product remains with the customer only. All specifications are subject to change without notification. All rights of Tyco Electronics are reserved.

Connectors for Mini ISO Relays

**PCB Socket**

**V23333-Z0002-A041**

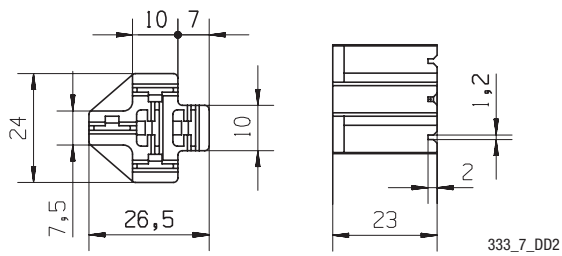
(Mounting Recommendation: To keep insertion force away from the PCB the soldering of the socket to the PCB should be done with already inserted relay)



**Connector**

**V23333-Z0001-A007**

(Terminals to be ordered separately)

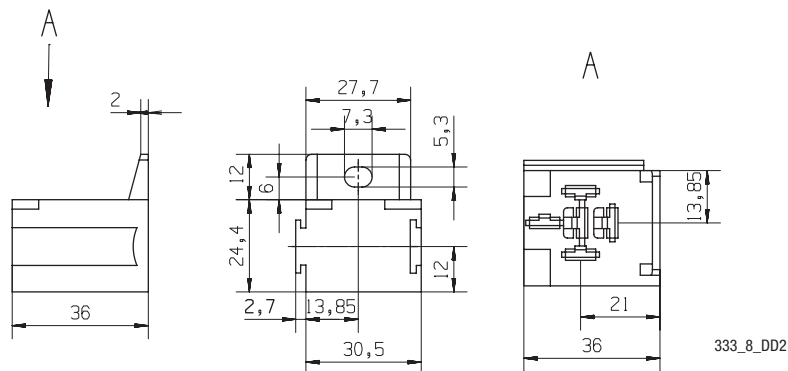


**Connector with Mounting Flap**

(To be mounted individually or can be interlocked)

**V23333-Z1001-A008**

(Terminals to be ordered separately)



Connectors for Mini ISO Relays

Ordering Information

| Part Numbers for Connectors |                              | Selection of Fitting Crimp Terminals <sup>1)</sup> (Ph. bronze tin plated) <sup>2)</sup> |                              |                      |         |                   |        |                 |            |
|-----------------------------|------------------------------|--|------------------------------|----------------------|---------|-------------------|--------|-----------------|------------|
| Connector Description       | Tyco Electronics Part Number | Terminal Size  | Tyco Electronics Part Number | Wire mm <sup>2</sup> | Use for | Quantity Required |        | Use in Cavities |            |
|                             |                              |  |                              |                      |         | Form A            | Form C | Form A          | Form C     |
| V23333-Z0002-A041           | 2-1904045-4                  | –  | –                            | –                    | –       | –                 | –      | –               | –          |
| V23333-Z0001-A007           | 1-1904045-1                  | 6.3 x 0.8  | 5-160526-9                   | 0.5 - 1.5            | Coil    | 2                 | 2      | 1 and 2         | 1 and 2    |
|                             |                              | 6.3 x 0.8  | 160927-4                     | 1.0 - 2.5            | Load    | 2                 | 3      | 3 and 5         | 3, 4 and 5 |
| V23333-Z1001-A008           | 1-1904045-2                  | 6.3 x 0.8  | 5-160526-9                   | 0.5 - 1.5            | Coil    | 2                 | 2      | 1 and 2         | 1 and 2    |
|                             |                              | 6.3 x 0.8  | 160927-4                     | 1.0 - 2.5            | Load    | 2                 | 3      | 3 and 5         | 3, 4 and 5 |

<sup>1)</sup> Crimp terminals to be ordered separately.

<sup>2)</sup> Mentioned crimp terminals are delivered in strip-form, loose pieces and hand tool available on request.

**Standard Delivery Packs** (orders in multiples of delivery pack)

Connector V23333-Z0002-A041: 500 pieces

Connector V23333-Z0001-A008: 500 pieces

Connector V23333-Z1001-A007: 200 pieces