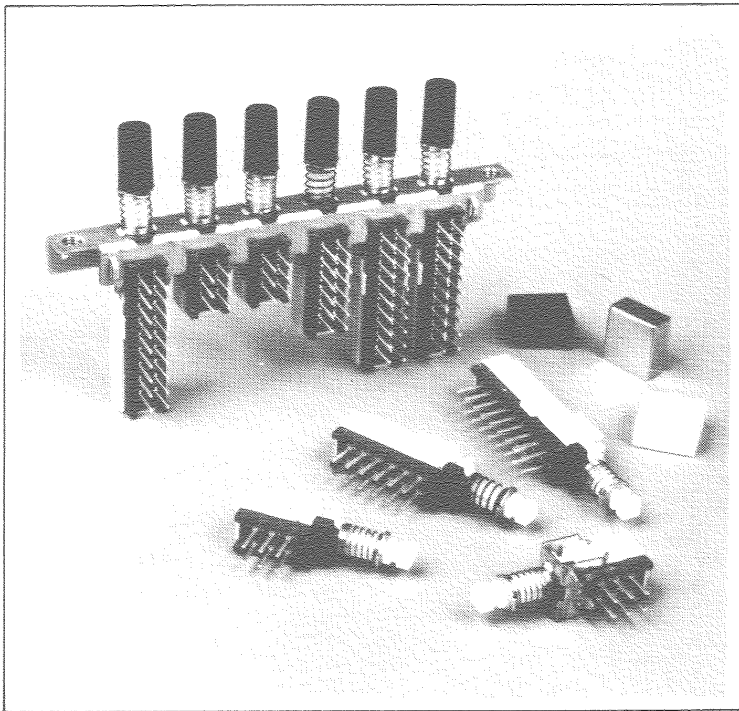


Sub-miniature interlocking push button switches



A series of extremely small switches designed for low current applications such as portable test equipment, instrumentation or other compact devices. They are provided in banks of up to 10 switches with a selection of inter switch spacings. Switch operation may be momentary, alternate, interlocking, or a combination of all three.

Features

- Subminiature size.
- Ideally suited for portable instrumentation miniature test equipment and compact consumer electronics.
- Wide choice of circuits.
- Short stroke — 2mm.
- PCB mounting — standard 2.5 mm pitch.
- Terminals sealed against ingress of flux.
- Wide choice of inter switch spacing, available in banks of up to 10 switches.
- Switches can be momentary, alternate or interlocking.
- 2, 4 or 6 pole versions available.
- Shorting or non-shorting contacts.
- Rectangular and round knobs available in a wide choice of colours.

Options

Inter switch spacing	7.5, 10, 12.5, 15, 20 (mm)
Number of switches	1 to 10
Number of poles	2, 4, or 6
Switch timing	make before break (shorting) or break before make (non-shorting)
Mode of operation	momentary, alternate or interlocking

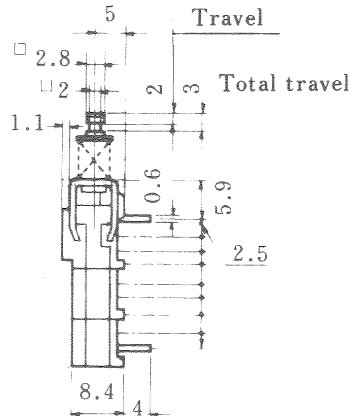
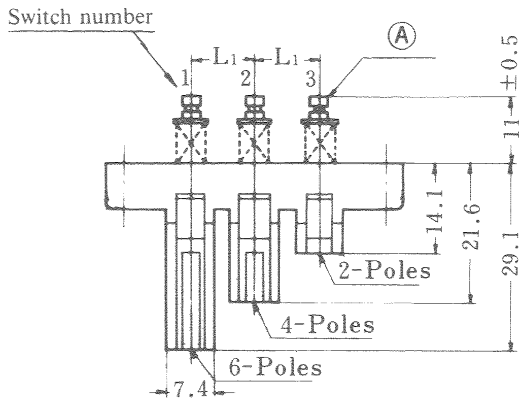
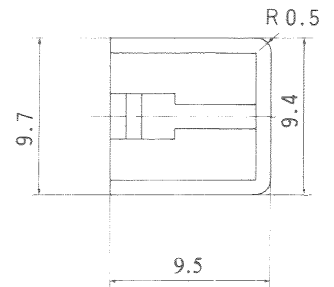
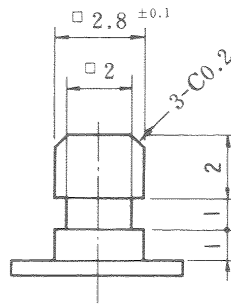
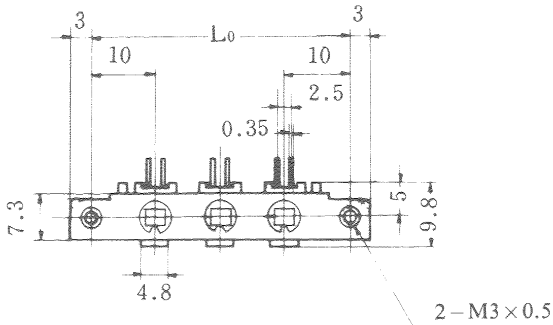
Specification

Electrical	
Contact rating	30Vdc 100 mA
Contact resistance	<20mΩ at 5Vdc, 1A or 1kHz
Insulation resistance	>100MΩ, 500 Vdc for 1 minute
Withstand voltage	500Vac for 1 minute
Electrical life	>10,000 operations
Mechanical	
Operating temp. range	- 10°C to + 60°C
Operating force	2 pole 160g ± 100g 4 pole 220g ± 100g 6 pole 300g ± 100g
Actuator strength	5kg for 15 seconds (in direction of movement) 2.5kg for 15 seconds (at right angles to actuator)
Terminal strength	500g for 1 minute
Mechanical life	>10,000 operations

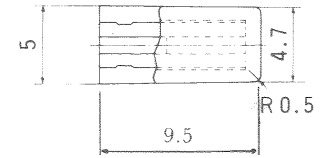
Dimensions

Detail view of portion A

Rectangular knob

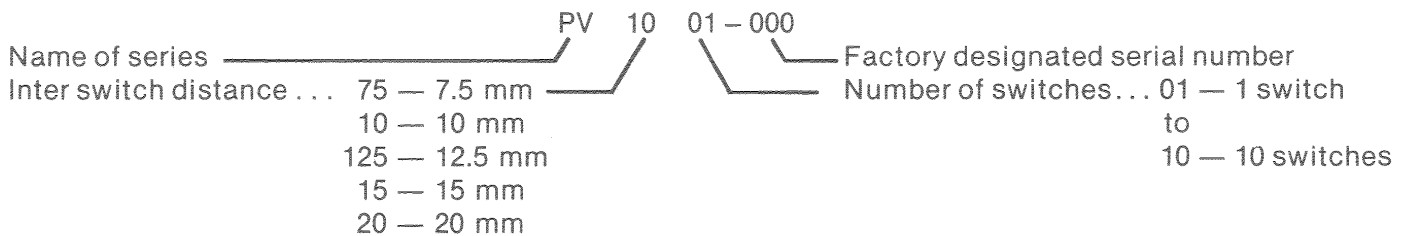


Round knob



inter switch spacing (L ₁) mm	block length (L ₀) mm									
	number of switches in block									
	1	2	3	4	5	6	7	8	9	10
(7.5)		(27.5)	(35)	(42.5)	(50)	(57.5)	(65)	(72.5)	(80)	(87.5)
10	20	30	40	50	60	70	80	90	100	110
12.5		32.5	45	57.5	70	82.5	(95)	(107.5)	(120)	(132.5)
15		35	50	65	80	95	110	(125)	(140)	(155)
20		40	68	80	100	120	(140)	(160)	(180)	(200)

Product identification code



Note 1: A single position PCB mounting bracket is available, consult Sales office for details.
 Note 2: Please check availability of the non-standard specifications which are shown in brackets () above.



Devlin Electronics Limited
 Unit 1, Sherrington Way, Basingstoke, Hants. RG22 4DQ.
 Telephone: Basingstoke (0256) 467367 Telex: 858353

DL140408