

注記  
NOTES:

1. 材質

MATERIAL

ハウジング : ポリアミド (PA)、ガラス充填、UL94V-0、白色  
HOUSING : POLYAMIDE(PA), GLASS FILLED, UL94V-0, WHITE  
ターミナル : りん青銅

TERMINAL : PHOSPHOR BRONZE  
TIN PLATING : 1.0 MICROMETER MINIMUM  
UNDERPLATE : NICKEL 1.0 MICROMETER MINIMUM

ネイル : りん青銅

NAIL : PHOSPHOR BRONZE  
TIN PLATING : 1.0 MICROMETER MINIMUM  
UNDERPLATE : NICKEL 1.0 MICROMETER MINIMUM

2. 嵌合相手 : 503469-\*\*\*\*又は503473-\*\*\*\*  
MATE WITH : 503469-\*\*\*\* OR 503473-\*\*\*\*

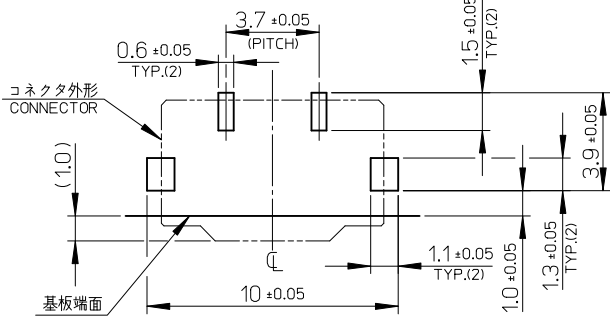
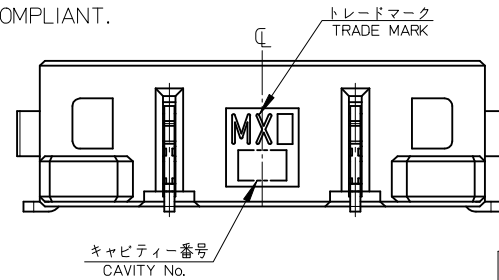
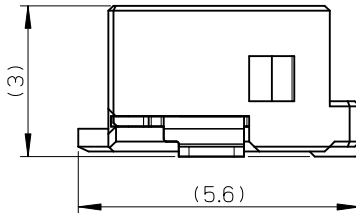
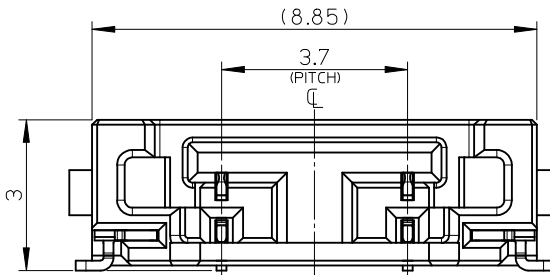
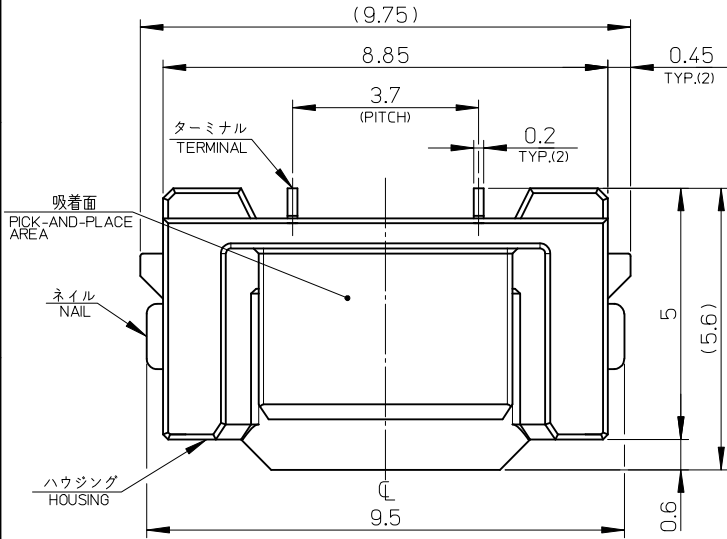
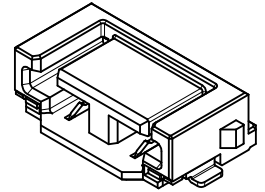
3. 端子テール部及びネイルの平坦度は0.1以下  
TAIL AND NAIL COPLANARITY TO BE 0.1 MAXIMUM.

4. 端子テール部及びネイルに錫めっきを使用しているため、外觀に摺動痕が付く場合があります。  
THE WOUND OF FRICTION MIGHT ADHERE TO EXTERNALS BECAUSE THE TIN PLATING IS USED FOR THE TAIL AND NAIL.

5. 本製品のプラスチック部に黒点等が確認される場合や色合いが異なる場合がありますが、製品性能に影響はありません。  
THERE IS NO INFLUENCE IN THE PRODUCT PERFORMANCE THOUGH THE BLACK SPOT ETC. MIGHT BE CONFIRMED TO THE PLASTIC PART OF THIS PRODUCT AND THE SHADE MIGHT BE DIFFERENT.

6. エンボス梱包品の詳細はSD-503471-002を参照願います。  
REFER TO THE SD-503471-002 FOR EMBOSSED TAPE PACKAGING.

7. ELV及びRoHS適合品  
ELV AND RoHS COMPLIANT.

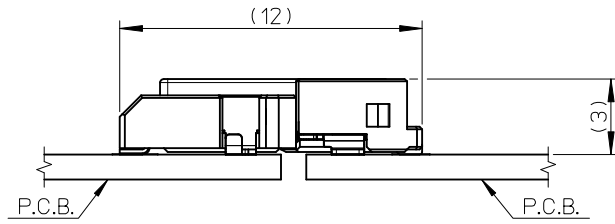
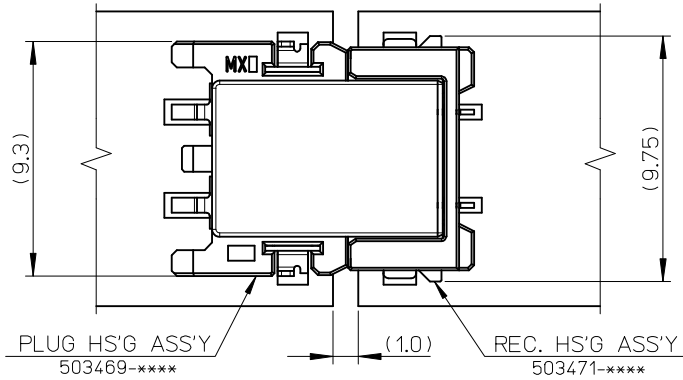


基板パターンレイアウト (参考)  
P.C.B. PATTERN LAYOUT (REFERENCE)  
(SCALE : 5-1)

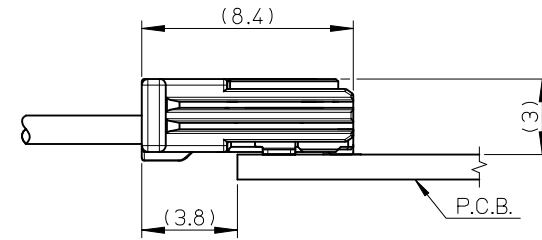
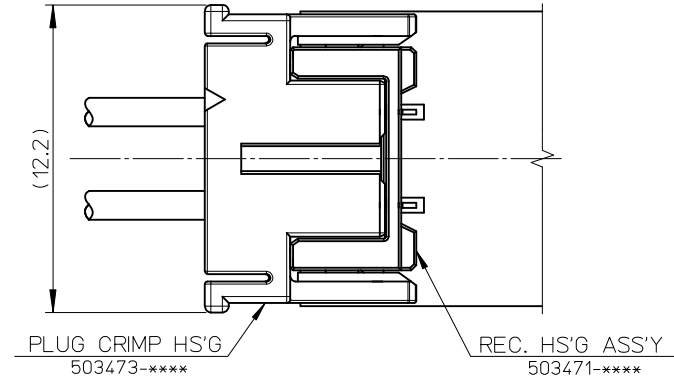
503471-0200	2
EMBOSSD TAPE PACKAGE	CIRCUIT 極数
オーダー番号 ORDER No.	
コネクタシリーズ番号 CONNECTOR SERIES No.	503471-**09

RELEASED EC NO: J2010-0155 DR:W.H.KOBAYASHI 2009/07/24 CHKD:S.SATO03 2009/07/26 APPR:N.UKITA 2009/07/27	GENERAL TOLERANCES (UNLESS SPECIFIED)	DIMENSION STYLE MM ONLY	SCALE 10:1	DESIGN UNITS METRIC	THIRD ANGLE PROJECTION
	10 UNDER ±0.2	DRAWN BY H.KOBAYASHI	DATE 2009/7/24	TITLE 3.7 MULTIPLE CONN. REC. HS'G ASS'Y	
	10 OVER 30 UNDER ±0.25	CHECKED BY S.SATO	DATE 2009/7/24	MOLEX INCORPORATED	
	30 OVER ±0.3	APPROVED BY N.UKITA	DATE 2009/7/24	DOCUMENT NO. SD-503471-001	SHEET NO. 1 OF 2
ANGULAR ±1 °	MATERIAL NO. —//—	SIZE A3	THIS DRAWING CONTAINS INFORMATION THAT IS PROPRIETARY TO MOLEX INCORPORATED AND SHOULD NOT BE USED WITHOUT WRITTEN PERMISSION		
DRAFT WHERE APPLICABLE MUST REMAIN WITHIN DIMENSIONS					

<嵌合状態図 (参考)> 503471-\*\*\*\*/503469-\*\*\*\*  
 <MATED CONNECTOR (REFERENCE)>  
 (503471-\*\*\*\*/503469-\*\*\*\*)



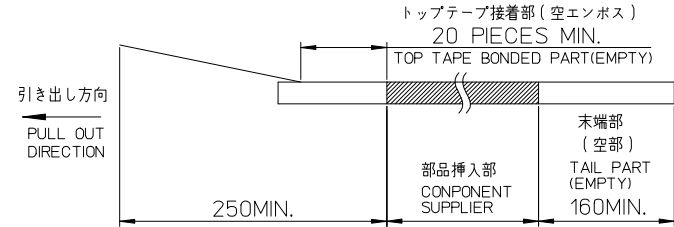
<嵌合状態図 (参考)> 503471-\*\*\*\*/503473-\*\*\*\*  
 <MATED CONNECTOR (REFERENCE)>  
 (503471-\*\*\*\*/503473-\*\*\*\*)



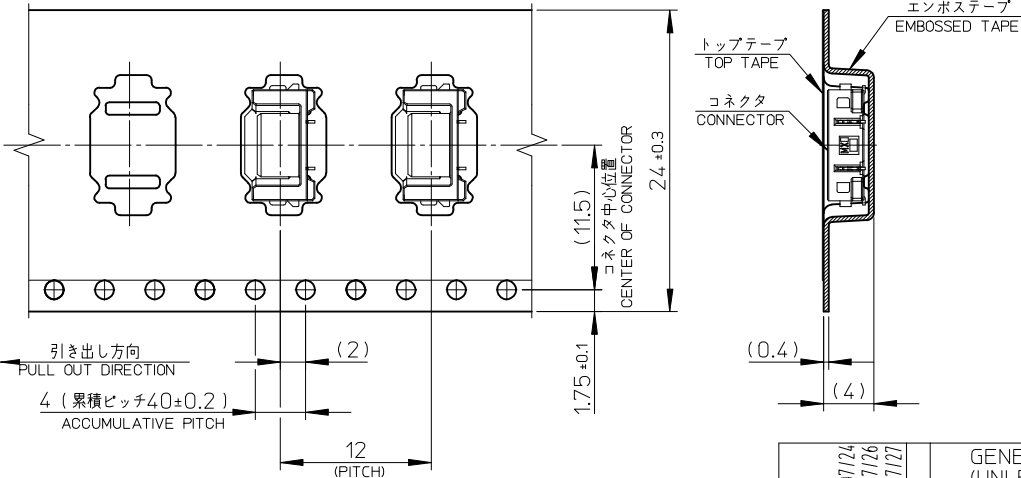
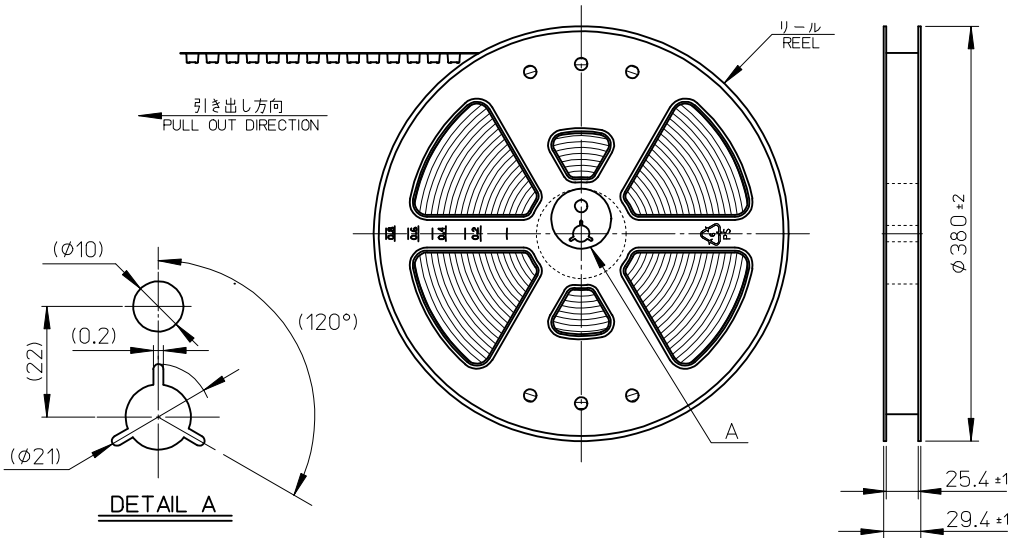
SEE SHEET No.1 EC NO: J2010-0155 DRWN:HKOBAYASHI 2009/07/24 CHKD:SSAT003 2009/07/26 APPR:NUKITA 2009/07/27	GENERAL TOLERANCES (UNLESS SPECIFIED)		DIMENSION STYLE MM ONLY		SCALE 5:1	DESIGN UNITS METRIC	THIRD ANGLE PROJECTION	
	10 UNDER	±0.2	DRAWN BY H.KOBAYASHI	DATE 2009/7/24	TITLE 3.7 MULTIPLE CONN. REC. HS'G ASS'Y			
	10 OVER 30 UNDER	±0.25	CHECKED BY S.SATO	DATE 2009/7/24				
	30 OVER	±0.3	APPROVED BY N.UKITA	DATE 2009/7/24	MOLEX INCORPORATED DOCUMENT NO. SD-503471-001 SHEET NO. 2 OF 2			
	ANGULAR ±1 °		MATERIAL NO. —#—					
DRAFT WHERE APPLICABLE MUST REMAIN WITHIN DIMENSIONS		THIS DRAWING CONTAINS INFORMATION THAT IS PROPRIETARY TO MOLEX INCORPORATED AND SHOULD NOT BE USED WITHOUT WRITTEN PERMISSION						

注記:  
NOTES;

- 製品詳細寸法については、SD-503471-001を参照下さい。  
PLEASE REFER TO SD-503471-001 FOR THE DETAILED DIMENSION OF THE CONNECTOR.
- 梱包数量：2000個/リール  
NUMBER OF REELERS : 2000 PCS/REEL.
- リードテープ長さ  
LEAD TAPE LENGTH.



- 材料  
MATERIAL  
キャリアテープ：ポリスチレン  
CARRIER TAPE : POLYSTYRENE  
トップテープ：ポリエステル, ポリエチレン, ポリエチレンテレフタレート  
TOP TAPE : POLYESTER, POLYETHYLENE, POLYETHYLENE TEREPHTHALATE  
リール：ポリスチレン <リサイクル材含む>  
REEL : POLYSTYRENE (PS) <RECYCLE MATERIAL CONTAINED>
- ELV及びRoHS適合品  
ELV AND RoHS COMPLIANT



24mm	503471-0209	503471-0200	2
エンボステープ幅 CARRIER TAPE WIDTH	装着コネクタ CONNECTOR	EMBOSSD TAPE PACKAGE	CIRCUIT 極数
		オーダー番号 ORDER No.	
		コネクタシリーズ番号 CONNECTOR SERIES No.	
			503471-**00

エンボステープ内の製品の向き  
DIRECTION OF PRODUCTION IN THE  
EMBOSSD TAPE

RELEASED EC No. J2010-0155 DRWN:HKOBAYASHI 2009/07/24 CHKD:SSAT003 2009/07/26 APPR:NUKITA 2009/07/27	GENERAL TOLERANCES (UNLESS SPECIFIED)		DIMENSION STYLE MM ONLY		SCALE ----	DESIGN UNITS METRIC	THIRD ANGLE PROJECTION
	10 UNDER	±0.2	DRAWN BY H.KOBAYASHI	DATE 2009/7/24	TITLE EMBOSSD TAPE PACKAGE FOR 503471-****		
	10 OVER 30 UNDER	±0.25	CHECKED BY S.SATO	DATE 2009/7/24	MOLEX INCORPORATED		
	30 OVER	±0.3	APPROVED BY N.UKITA	DATE 2009/7/24	DOCUMENT NO. SD-503471-002	SHEET NO. 1 OF 1	
REV	DESCRIPTION	ANGULAR ±1 °		MATERIAL NO. //		THIS DRAWING CONTAINS INFORMATION THAT IS PROPRIETARY TO MOLEX INCORPORATED AND SHOULD NOT BE USED WITHOUT WRITTEN PERMISSION	
DRAFT WHERE APPLICABLE MUST REMAIN WITHIN DIMENSIONS		SIZE A3					