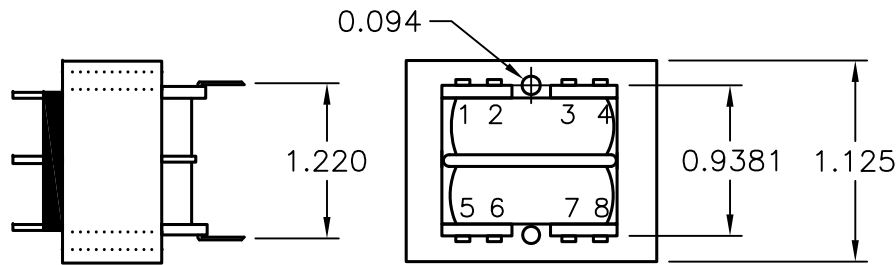
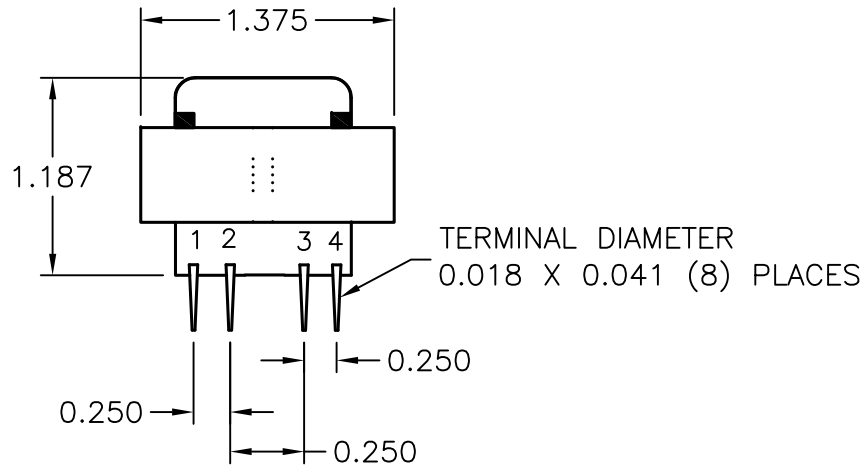


ALL RIGHTS RESERVED. NO PORTION OF THIS PUBLICATION, WHETHER IN WHOLE OR IN PART CAN BE REPRODUCED WITHOUT THE EXPRESS WRITTEN CONSENT OF SPC TECHNOLOGY.

REVISIONS			DOC. NO. SPC-F005 * Effective: 12/21/98 * DCP No: 680					
DCP #	REV	DESCRIPTION	DRAWN	DATE	CHECKD	DATE	APPRVD	DATE
1977	A	Released	JAP	5/21/96	JN	06/26/08	JN	06/26/08



Electrical Characteristics

Primary

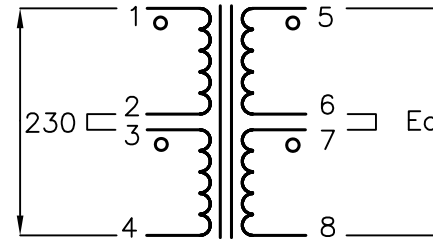
Pri #1 115v +/-15% REQ: (50,60)Hz
 Pri #2 115v +/-15% REQ: (50,60)Hz

Secondary

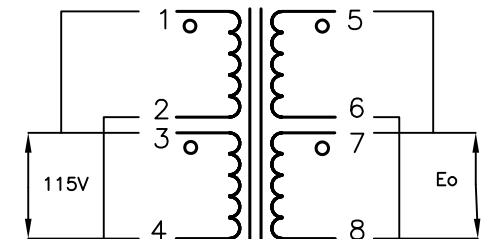
Series 10vct @0.25 ARMS
 Parallel 5v @0.50 ARMS
REGULATION: 31.2% APPROX

Transformer Isolation

Pri/Pri 500v Pri/Sec 2500v
 Sec/Sec 500v Wind/Core 2500v



Series Connection



Dual Connection

DISCLAIMER:
 ALL STATEMENTS AND TECHNICAL INFORMATION CONTAINED HEREIN ARE BASED UPON INFORMATION AND/OR TESTS WE BELIEVE TO BE ACCURATE AND RELIABLE. SINCE CONDITIONS OF USE ARE BEYOND OUR CONTROL, THE USER SHALL DETERMINE THE SUITABILITY OF THE PRODUCT FOR THE INTENDED USE AND ASSUME ALL RISK AND LIABILITY WHATSOEVER IN CONNECTION THEREWITH.



SPC TECHNOLOGY

UNLESS OTHERWISE SPECIFIED, DIMENSIONS ARE FOR REFERENCE PURPOSES ONLY.

DRAWN BY:	DATE:
JAP	2/28/90
CHECKED BY:	DATE:
JN	06/26/08
APPROVED BY:	DATE:
JN	06/26/08

DRAWING TITLE: PC Board Transformer			
SIZE A	DWG. NO. SPC20962	ELECTRONIC FILE 10M5566	REV A
SCALE: NTS	U.O.M.: INCHES [mm]	SHEET: 1 OF 1	