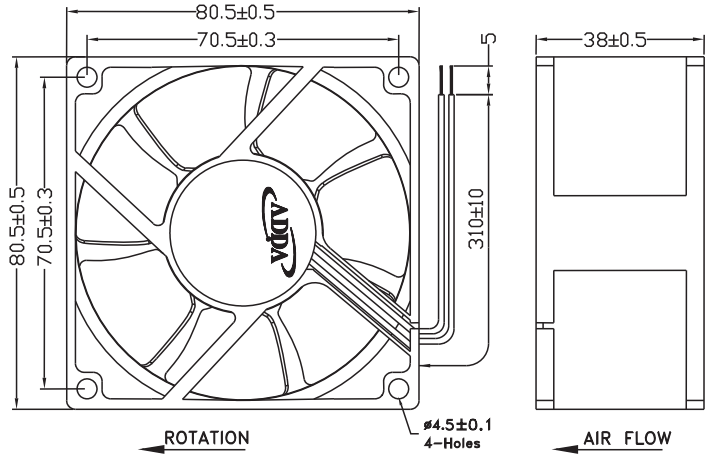


AD8038 SERIES

External Dimensions



Frame: Plastic (UL:94V-0)
 Impeller: Plastic (UL:94V-0)
 Bearing: Ball bearing
 Lead wire: UL 1007 AWG24
 VOLTAGE AVAILABLE: 12V, 24V

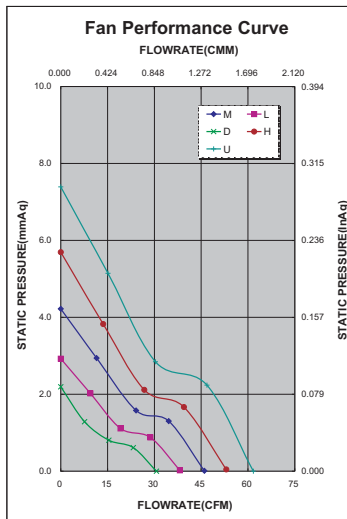
Specifications (Nominal)

*Noise is measured at the distance of one (1) meter from the axis of intake.

Bearing type: ⊙=Ball ⊛=Sleeve ○=1B1S ●=Hypro bearing

Frame size (mm)	Model No.	Bearing System Type	Rated Voltage (VDC)	Current (A)	Power (W)	Rated Speed (rpm)	Maximum AirFlow (CMM)	Maximum AirFlow (CFM)	Maximum Pressure (InAq)	Maximum Pressure (mmAq)	*Noise Level (dB/A)	Weight (g)
80x80x38	AD0812DB-F71	⊙	12	0.07	0.84	2000	0.877	31.00	0.080	2.03	25.0	105.0
	AD0812LB-F71	⊙	12	0.10	1.20	2500	1.091	38.20	0.120	3.05	31.6	
	AD0812MB-F71	⊙	12	0.17	2.04	3000	1.317	46.10	0.170	4.32	36.1	
	AD0812HB-F71	⊙	12	0.26	3.12	3500	1.531	53.60	0.230	5.84	40.2	
	AD0812UB-F71	⊙	12	0.34	4.08	4000	1.751	61.30	0.300	7.62	44.5	
	AD0824LB-F71	⊙	24	0.08	1.92	2500	1.091	38.20	0.120	3.05	31.6	
	AD0824MB-F71	⊙	24	0.10	2.40	3000	1.371	46.10	0.170	4.32	36.1	
	AD0824HB-F71	⊙	24	0.14	3.36	3500	1.531	53.60	0.230	5.84	40.2	

Specifications subject to change without notice.



*Motor protective circuit and third lead wire functions

0	1	2	3	4	6	7	8	9	A	B
	✓	✓	✓							

*Safety approvals

✓	✓		✓	✓