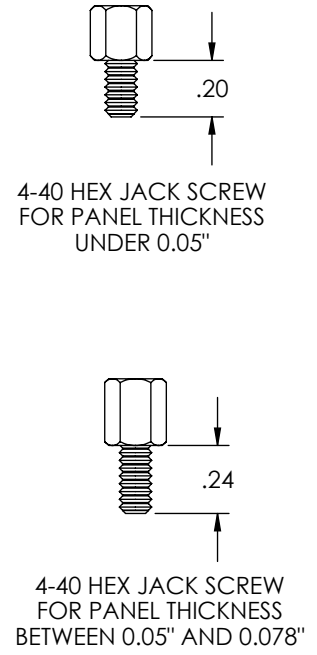
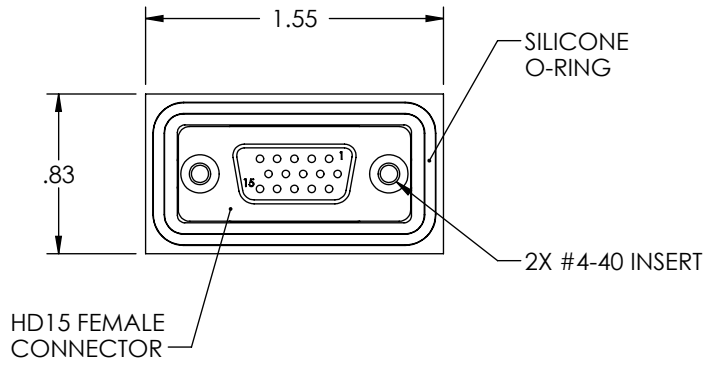
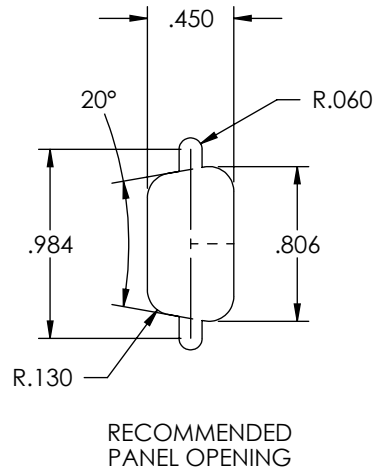
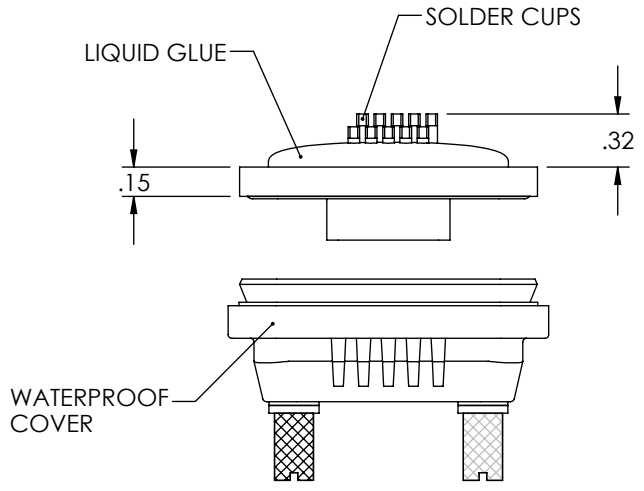


THE INFORMATION CONTAINED IN THIS DRAWING IS THE SOLE PROPERTY OF L-COM, INC. ANY REPRODUCTION IN PART OR WHOLE WITHOUT THE WRITTEN PERMISSION OF L-COM, INC. IS PROHIBITED.

REVISIONS			
REV	DESCRIPTION	DATE	APPROVED
A	INITIAL RELEASE	11/24/08	D.GRIFFIN



- NOTES:
1. IP (INGRESS PROTECTION) RATING: 67
 2. ASSEMBLY TO BE INDIVIDUALLY PACKAGED IN A POLYBAG.

UNLESS OTHERWISE SPECIFIED, DIMENSIONS ARE IN INCHES [mm] OVERALL CABLE LENGTH TOLERANCE: ≤ 12 [305] = +1 [25] / -0 >12 [305] ≤ 60 [1524] = +2 [51] / -0 >60 [1524] ≤ 120 [3048] = +4 [102] / -0 >120 [3048] ≤ 300 [7620] = +6 [152] / -0 >300 [7620] = +5% / -0% ALL OTHER DIMENSIONAL TOLERANCES: .X = .3 .XX = .15 PROJECTION 	APPROVALS D.CASTRO CHECKED BY M.SEDLESKI APPROVED BY G.PEPIN	DATE 11/21/08 11/21/08 11/21/08	 45 BEECHWOOD DRIVE NORTH ANDOVER, MA 01845 CATEGORY	
	CONFIGURATION DETAILS OF UNDIMENSIONED FEATURES MAY VARY			PRODUCT DESCRIPTION CONN KIT HD15F WTR PRF W/CVR
	COLOR VARIATIONS MAY OCCUR	SIZE A	FSCM NO. 43321	DWG. NO. WPSDH15S-KIT
	SCALE: NONE		CAD FILE: WPSDH15S-KIT.SLDDRW	REV. A SHEET 1 OF 1