



ALL RIGHTS RESERVED. NO PORTION OF THIS PUBLICATION, WHETHER IN WHOLE OR IN PART CAN BE REPRODUCED WITHOUT THE EXPRESS WRITTEN CONSENT OF SPC TECHNOLOGY.

SPC-F005.DWG

REVISIONS

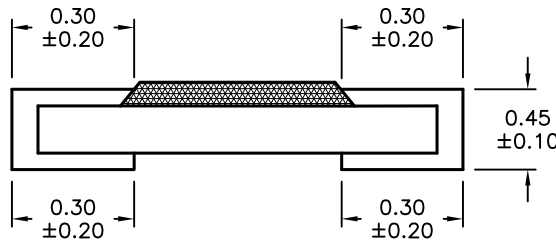
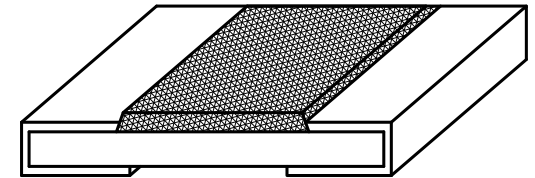
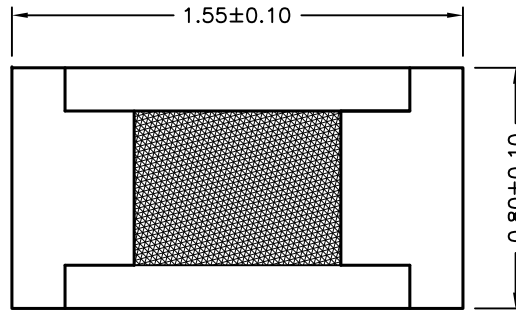
DOC. NO. SPC-F005 \* Effective: 7/8/02 \* DCP No: 1398

DCP #	REV	DESCRIPTION	DRAWN	DATE	CHECKD	DATE	APPRVD	DATE
2097	A	RELEASED	JYC	8/3/10	JYC	8/3/10	JYC	8/3/10

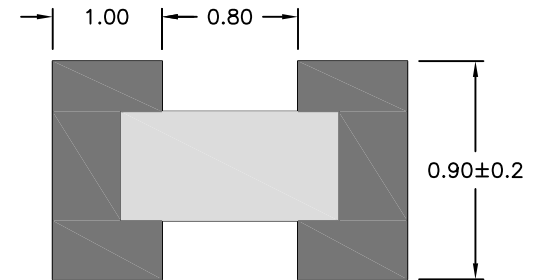


Features:

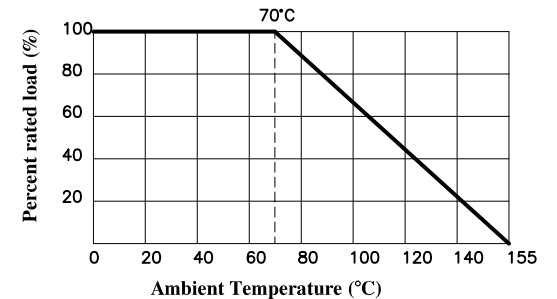
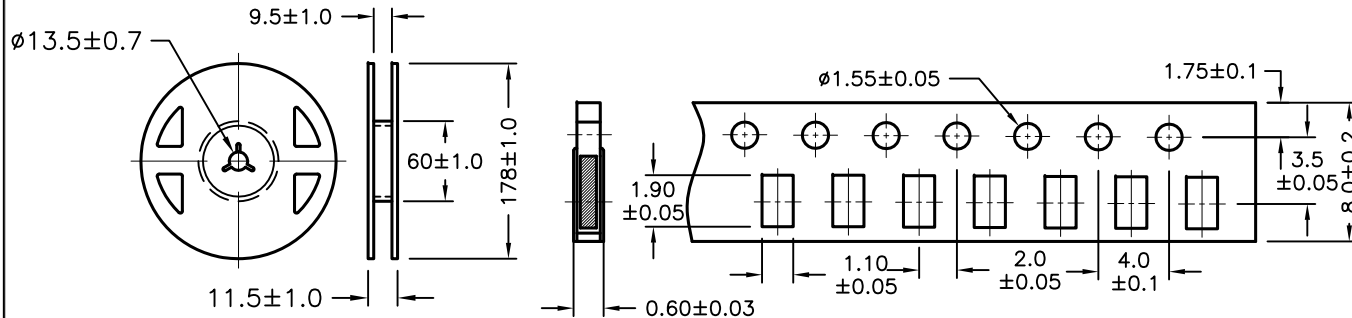
- Thin Film Passivated NiCr Resistor
- Very Tight Tolerance down to  $\pm 0.05\%$
- Wide R-Value Range 4.7ohm~1Meg ohm
- Power Rating: 1/16W
- Operating Temp. Range:  $-55^{\circ}\text{C}\sim+155^{\circ}\text{C}$
- Max. Operating Voltage: 50V
- Max. Overloading Voltage: 100V
- TCR (PPM/ $^{\circ}\text{C}$ ):  $\pm 25, \pm 50$



Recommended Land Pattern



Tape & Reel Dimension



DISCLAIMER: ALL STATEMENTS AND TECHNICAL INFORMATION CONTAINED HEREIN ARE BASED UPON INFORMATION AND/OR TESTS WE BELIEVE TO BE ACCURATE AND RELIABLE. SINCE CONDITIONS OF USE ARE BEYOND OUR CONTROL, THE USER SHALL DETERMINE THE SUITABILITY OF THE PRODUCT FOR THE INTENDED USE AND ASSUME ALL RISK AND LIABILITY WHATSOEVER IN CONNECTION THEREWITH.

TOLERANCES: UNLESS OTHERWISE SPECIFIED, DIMENSIONS ARE FOR REFERENCE PURPOSES ONLY.

DRAWN BY: Jerrold Chen  
 DATE: 8/3/10  
 CHECKED BY: Jerrold Chen  
 DATE: 8/3/10  
 APPROVED BY: Jerrold Chen  
 DATE: 8/3/10

DRAWING TITLE: Thin Film Precision Resistor, EIA Size 0603, 1/16 Watt

SIZE: A	DWG. NO.: Ta-1007	ELECTRONIC FILE: Ta-1007.DWG	REV: A
SCALE: NTS	U.O.M.: Millimeters	SHEET: 1 OF 2	

Manufacturers part number	Resistance	Resistance Tolerance	Resistor Case Style	Power Rating
MCTF0603BTC1000	100 ohm	± 0.1%	603	62.5 mW
MCTF0603BTC1001	1 kohm	± 0.1%	603	62.5 mW
MCTF0603BTC1002	10 kohm	± 0.1%	603	62.5 mW
MCTF0603BTC1003	100 kohm	± 0.1%	603	62.5 mW
MCTF0603BTC1203	120 kohm	± 0.1%	603	62.5 mW
MCTF0603BTC1502	15 kohm	± 0.1%	603	62.5 mW
MCTF0603BTC2002	20 kohm	± 0.1%	603	62.5 mW
MCTF0603BTC2203	220 kohm	± 0.1%	603	62.5 mW
MCTF0603BTC3001	3 kohm	± 0.1%	603	62.5 mW
MCTF0603BTC3002	30 kohm	± 0.1%	805	62.5 mW
MCTF0603BTC3301	3.3 kohm	± 0.1%	805	62.5 mW
MCTF0603BTC1000	100 ohm	± 0.1%	603	62.5 mW
MCTF0603BTC1001	1 kohm	± 0.1%	603	62.5 mW
MCTF0603BTC1002	10 kohm	± 0.1%	603	62.5 mW
MCTF0603BTC1003	100 kohm	± 0.1%	603	62.5 mW
MCTF0603BTC1203	120 kohm	± 0.1%	603	62.5 mW
MCTF0603BTC1502	15 kohm	± 0.1%	603	62.5 mW
MCTF0603BTC2002	20 kohm	± 0.1%	603	62.5 mW
MCTF0603BTC2203	220 kohm	± 0.1%	603	62.5 mW
MCTF0603BTC3001	3 kohm	± 0.1%	603	62.5 mW
MCTF0603BTC3002	30 kohm	± 0.1%	603	62.5 mW
MCTF0603BTC3301	3.3 kohm	± 0.1%	603	62.5 mW
MCTF0603TTZ1000	100 ohm	± 0.01%	603	62.5 mW
MCTF0603TTZ1001	1 kohm	± 0.01%	603	62.5 mW
MCTF0603TTZ1002	10 kohm	± 0.01%	603	62.5 mW
MCTF0603TTY1001	1 kohm	± 0.01%	603	62.5 mW
MCTF0603TTY1002	10 kohm	± 0.01%	603	62.5 mW
MCTF0603TTY1003	100 kohm	± 0.01%	603	62.5 mW
MCTF0603TTX1001	1 kohm	± 0.01%	603	62.5 mW
MCTF0603TTX1002	10 kohm	± 0.01%	603	62.5 mW
MCTF0603TTX1003	100 kohm	± 0.01%	603	62.5 mW
MCTF0603ATZ750	75 ohm	± 0.05%	603	62.5 mW
MCTF0603ATZ1502	1.5 kohm	± 0.05%	603	62.5 mW
MCTF0603ATZ3001	3 kohm	± 0.05%	603	62.5 mW
MCTF0603ATZ3301	3.3 kohm	± 0.05%	603	62.5 mW
MCTF0603ATY1203	120 kohm	± 0.05%	603	62.5 mW
MCTF0603ATY1502	15 kohm	± 0.05%	603	62.5 mW
MCTF0603ATY2002	20 kohm	± 0.05%	603	62.5 mW
MCTF0603ATY2203	220 kohm	± 0.05%	603	62.5 mW
MCTF0603ATY3001	3 kohm	± 0.05%	603	62.5 mW
MCTF0603ATY3002	30 kohm	± 0.05%	603	62.5 mW
MCTF0603ATY3301	3.3 kohm	± 0.05%	603	62.5 mW
MCTF0603ATX1203	120 kohm	± 0.05%	603	62.5 mW
MCTF0603ATX1502	15 kohm	± 0.05%	603	62.5 mW
MCTF0603ATX2002	20 kohm	± 0.05%	603	62.5 mW
MCTF0603ATX2203	220 kohm	± 0.05%	603	100 mW
MCTF0603ATX3001	3 kohm	± 0.05%	603	100 mW
MCTF0603ATX3002	30 kohm	± 0.05%	603	100 mW
MCTF0603ATX3301	3.3 kohm	± 0.05%	603	100 mW

Manufacturers part number	Resistance	Resistance Tolerance	Resistor Case Style	Power Rating
MCTF0603ATY2203	220 kohm	± 0.05%	603	62.5 mW
MCTF0603ATY3001	3 kohm	± 0.05%	603	62.5 mW
MCTF0603ATY3002	30 kohm	± 0.05%	603	62.5 mW
MCTF0603ATY3301	3.3 kohm	± 0.05%	603	62.5 mW
MCTF0603ATX1203	120 kohm	± 0.05%	603	62.5 mW
MCTF0603ATX1502	15 kohm	± 0.05%	603	62.5 mW
MCTF0603ATX2002	20 kohm	± 0.05%	603	62.5 mW
MCTF0603ATX2203	220 kohm	± 0.05%	603	62.5 mW
MCTF0603ATX3001	3 kohm	± 0.05%	603	62.5 mW
MCTF0603ATX3002	30 kohm	± 0.05%	603	62.5 mW
MCTF0603ATX3301	3.3 kohm	± 0.05%	603	62.5 mW
MCTF0603TTZ1000	100 ohm	± 0.01%	603	31.25 mW
MCTF0603TTZ1001	1 kohm	± 0.01%	603	31.25 mW
MCTF0603TTZ1002	10 kohm	± 0.01%	603	31.25 mW
MCTF0603TTY1001	1 kohm	± 0.01%	603	62.5 mW
MCTF0603TTY1002	10 kohm	± 0.01%	603	62.5 mW
MCTF0603TTY1003	100 kohm	± 0.01%	603	62.5 mW
MCTF0603TTX1001	1 kohm	± 0.01%	603	100 mW
MCTF0603TTX1002	10 kohm	± 0.01%	603	100 mW
MCTF0603TTX1003	100 kohm	± 0.01%	603	100 mW
MCTF0603ATZ750	75 ohm	± 0.05%	603	31.25 mW
MCTF0603ATZ1502	15 kohm	± 0.05%	603	31.25 mW
MCTF0603ATZ3001	3 kohm	± 0.05%	603	31.25 mW
MCTF0603ATZ3301	3.3 kohm	± 0.05%	603	31.25 mW
MCTF0603ATY1203	120 kohm	± 0.05%	603	62.5 mW
MCTF0603ATY1502	15 kohm	± 0.05%	603	62.5 mW
MCTF0603ATY2002	20 kohm	± 0.05%	603	62.5 mW
MCTF0603ATY2203	220 kohm	± 0.05%	603	62.5 mW
MCTF0603ATY3001	3 kohm	± 0.05%	603	62.5 mW
MCTF0603ATY3002	30 kohm	± 0.05%	603	62.5 mW
MCTF0603ATY3301	3.3 kohm	± 0.05%	603	62.5 mW
MCTF0603ATX1203	120 kohm	± 0.05%	603	62.5 mW
MCTF0603ATX1502	15 kohm	± 0.05%	603	62.5 mW
MCTF0603ATX2002	20 kohm	± 0.05%	603	62.5 mW
MCTF0603ATX2203	220 kohm	± 0.05%	603	100 mW
MCTF0603ATX3001	3 kohm	± 0.05%	603	100 mW
MCTF0603ATX3002	30 kohm	± 0.05%	603	100 mW
MCTF0603ATX3301	3.3 kohm	± 0.05%	603	100 mW

Manufacturers part number	Kit Contents	Resistance Tolerance	TCR (PPM/°C)
MCTF0603DTCKIT	E24 resistors	5%	25%

ALL RIGHTS RESERVED. NO PORTION OF THIS PUBLICATION, WHETHER IN WHOLE OR IN PART CAN BE REPRODUCED WITHOUT THE EXPRESS WRITTEN CONSENT OF SPC TECHNOLOGY.

SIZE <b>A</b>	DWG. NO. <b>Ta-1007</b>	ELECTRONIC FILE <b>Ta-1007.DWG</b>	REV <b>A</b>
SCALE: NTS	U.O.M.:	SHEET: 2 OF 2	