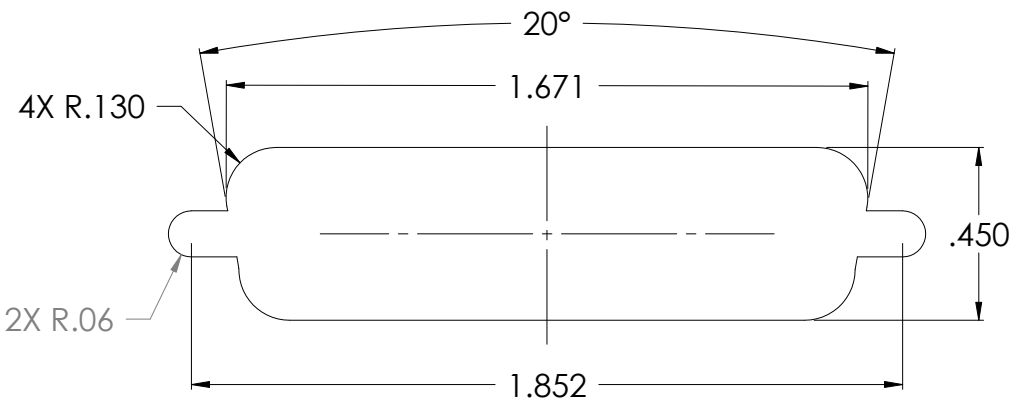
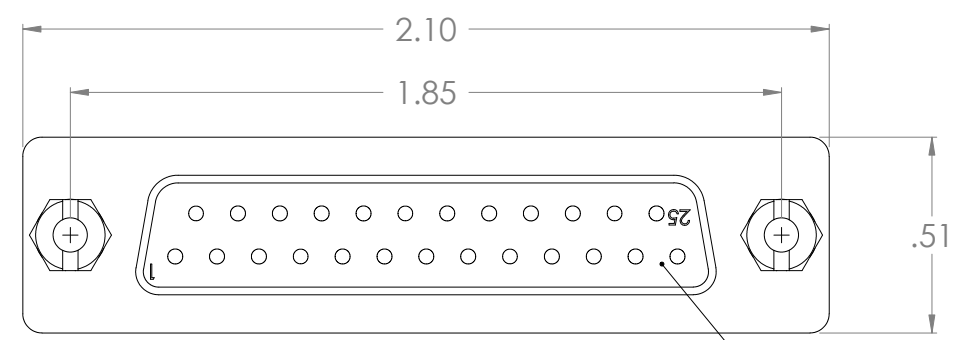
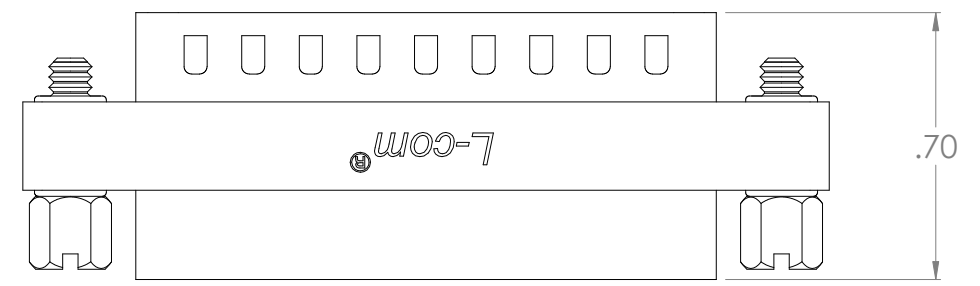


THE INFORMATION CONTAINED IN THIS DRAWING IS THE SOLE PROPERTY OF L-COM, INC. ANY REPRODUCTIONS IN PART OR WHOLE WITHOUT THE WRITTEN PERMISSION OF L-COM, INC. IS PROHIBITED.

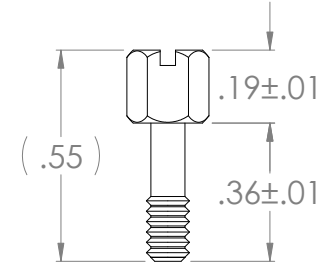
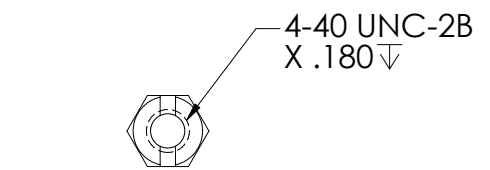
REVISIONS			
REV	DESCRIPTION	DATE	APPROVED
D	ECN #1311 REVISED ELECTRICAL SPECS	02/21/03	MCCORMICK
E	ECN #1613 - ADDED COMPONENT SPECIFICATION TABLE	12/10/03	B.MAZEJKA
F	ECN #1630 - CHG'D COMPONENT SPECIFICATION TABLE	01/05/04	B.MAZEJKA
G	ECN # 1741 REMOVED HEX STANDOFF FROM ASSEMBLY	05/05/04	R.CARRICK



RECOMMENDED PANEL OPENING
(MAX PANEL THICKNESS: 0.06")



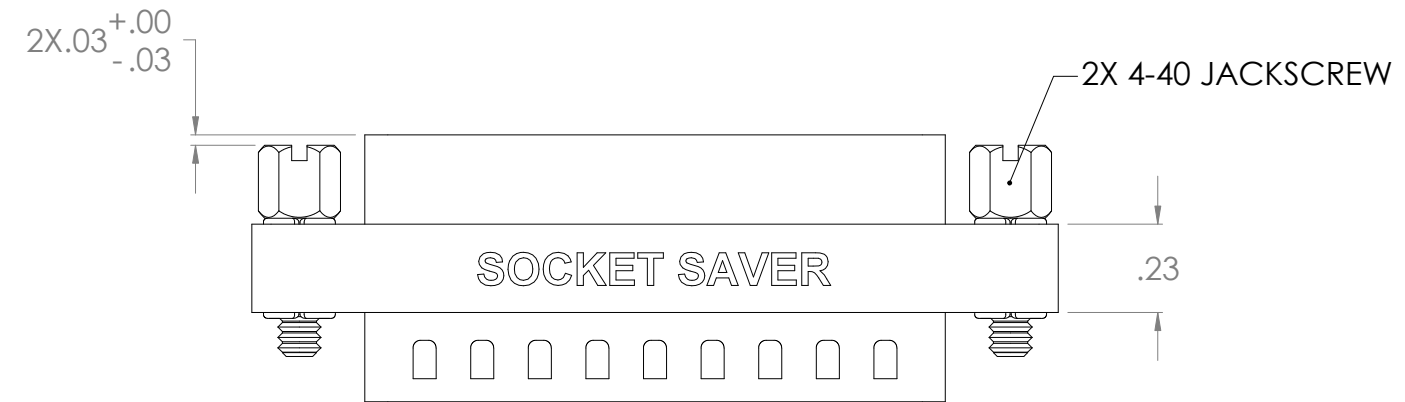
FEMALE, 25 PIN
D-SUB CONNECTOR



JACKSCREW
SPECIFICATION

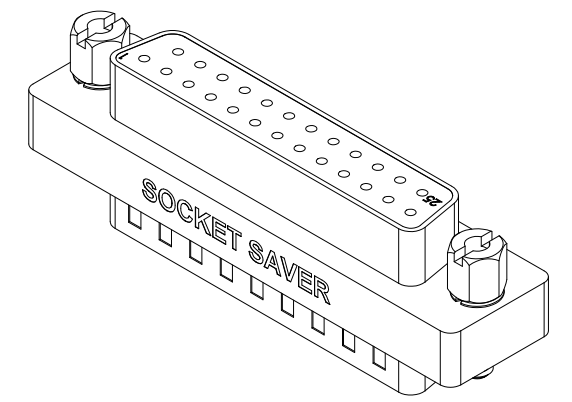
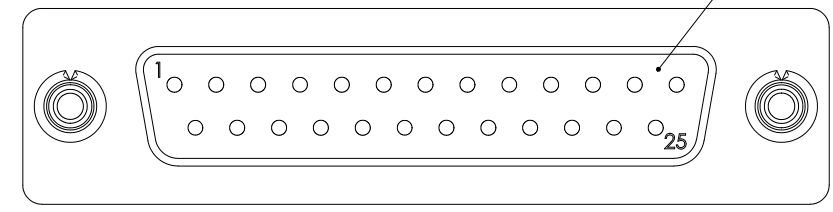
APPLICATION NOTES:
ALL PINS WIRED STRAIGHT THROUGH

LABELING:
PANTONE 2945 BLUE. "L-COM" FONT MyriaMM ITALIC.
"SOCKET SAVER" FONT ARIAL BOLD, TEXT HEIGHTS; .085"
TEXT COLOR; WHITE.



SOCKET SAVER

MALE, 25 PIN
D-SUB CONNECTOR



Component Specifications	
Material	
Shell	Steel
Contacts/Terminals	Copper Alloy
Hardware	Brass
Insulator	PBT Fiber Reinforced (UL 94V-0 Rated)
Finish	
Shell	Tin/Nickel Plated
Contacts/Terminals	Gold Flash Plated: 1 - 1.5µ inches
Hardware	Nickel Plated
Electrical	
Current Rating	3 AMP
Insulation Resistance	1000 MΩ Min @ 500 VDC
Dielectric Withstanding Voltage	1000 VAC (for One minute)
Environmental	
Operational Temperature Range	-55°C to +105°C

CS-131

UNLESS OTHERWISE SPECIFIED
DIMENSIONS ARE IN INCHES
TOLERANCES ARE:
.X ±.1
.XX ±.05
.XXX ±.005
CABLE LENGTH TOLERANCE
<300" ±5% >300" ±2%

APPROVALS	DATE
DRAWN BY R.CARRICK	9/28/2002
CHECKED BY T.CLARK	09/28/2002
APPROVED BY D.PARHAM	9/28/2002

L-com 45 BEECHWOOD DRIVE
NORTH ANDOVER, MA
01845

PRODUCT DESCRIPTION
ADPT, SKT SAVER DB25 SLIM M/F

DRAWING TITLE
OUTLINE DRAWING

SIZE B	FSCM NO. 43321	DWG. NO. DGB25MF-OD1	REV. G
------------------	--------------------------	--------------------------------	------------------

SCALE: 2:1 CAD FILE: DGB25MF-OD1.SLDDRW SHEET 1 OF 1