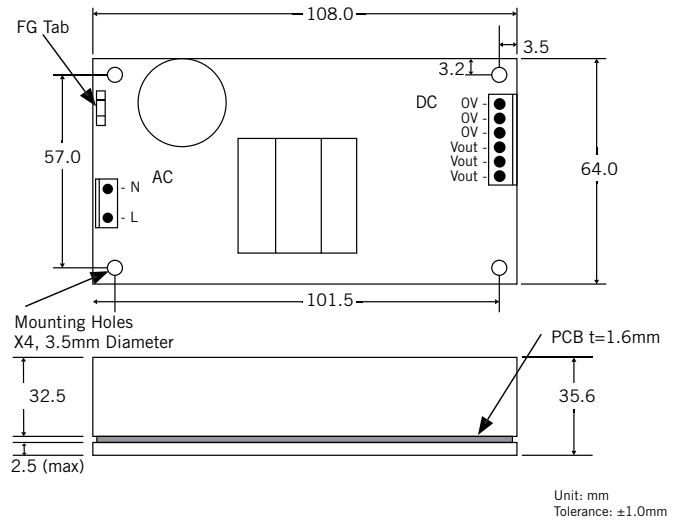
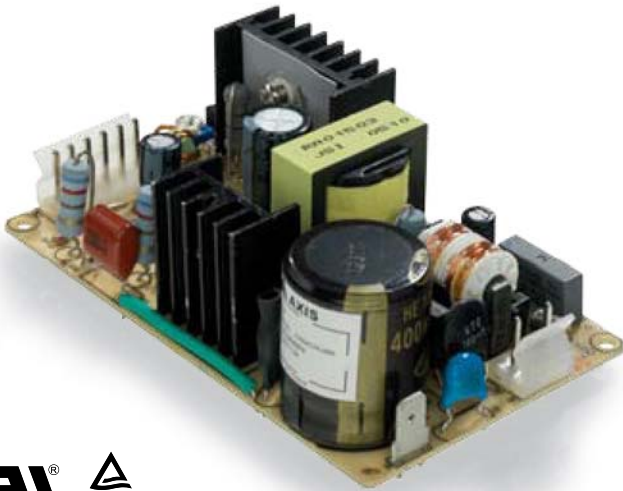


ALS30 Series

30 Watt Single Output Open Frame Switching Power Supply for General Purpose Applications



SPECIFICATIONS (@25°C)

Input Characteristics

Input Voltage: 90 - 264VAC / 120-370 VDC
 Input Frequency Range: 47 - 63Hz
 Max Input Current: 0.9 / 0.4A @ 110 / 220 VAC (max)
 Max Inrush Current: 30A @ 220 VAC (cold start)

Output Characteristics

Minimum Load: No minimum load
 Adjustable Output Range: ±10%
 Ripple/Noise (pk-pk 20MHz): ±1.0%
 Regulation: ±2.0% Load / ±1% Line
 Hold-up Time: 15/30ms min, 100% Load @ 110/220 VAC
 Rise-up Time: 600/300ms max @ 110/220 VAC
 Over Current Protection: >120% (Auto-recovery)
 Over Voltage Protection: >105% (Auto-recovery)

General Specifications

Dimension (LxWxH): 4.25 x 2.52 x 1.40" / 108 x 64 x 35.6mm
 Weight: 200g
 Warranty: 2 years

Environmental Specifications

Operating Temperature: 0~50°C Full Load, derate 3.0%/°C up to 60°C
 Storage Temperature: -25~+75°C
 Cooling: Convection Cooled Operation
 Humidity: 10~95% RH, non-condensing
 Vibration: 0 - 55Hz, 2G 1min / cycle, period of 60min, each axis

EMC & Safety Specifications

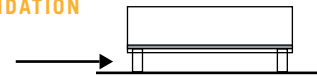
EMC Emissions: EN55022, VCCI, CISPR22 Class A (Conducted & Radiated); IEC-61000-4-2, 61000-4-4, 61000-4-5, 61000-4-11
 Safety Approval: UL 60950 (UL File No: E204980)
 TÜV EN60950 (TUV No: 50070245)
 Dielectric Strength: Input-Output 3kVAC / 1min
 Input-Ground 2kVAC / 1min
 Insulation Resistance: Output-Ground: >100Mohm / 500VDC

CONNECTOR TYPES

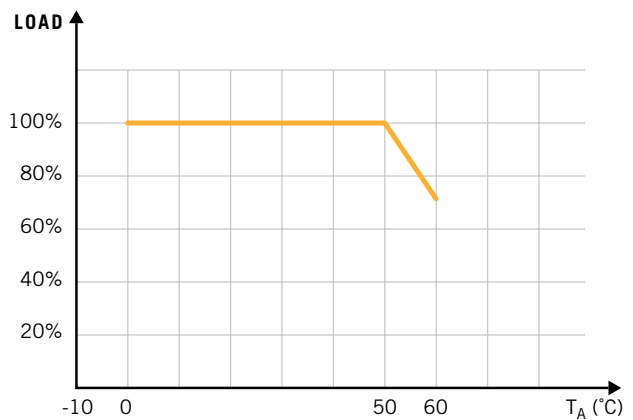
Input: Housing = Molex 09-50-3031 / Terminal = Molex 08-50-0105
 Output: Housing = Molex 09-50-3061 / Terminal = Molex 08-50-0105

MOUNTING RECOMMENDATION

7mm Standoff-spacers (X4)
 Located under Mounting-holes



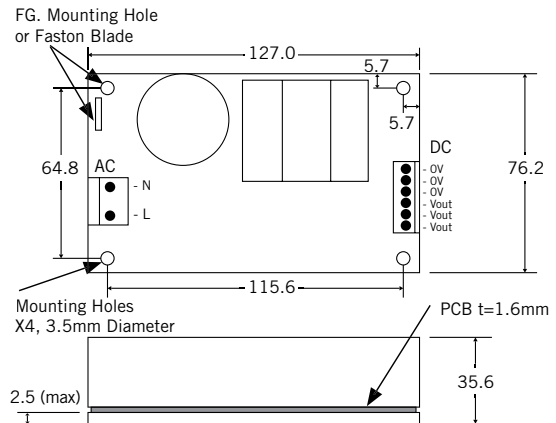
DERATING CURVE



Part Number	Voltage	Current	Efficiency
ALS30-5	5V	6A	75%
ALS30-12	12V	2.5A	75%
ALS30-24	24V	1.3A	75%

ALS50 Series

50 Watt Single Output Open Frame Switching Power Supply for General Purpose Applications



Unit: mm
Tolerance: ±1.0mm



SPECIFICATIONS (@25°C)

Input Characteristics

Input Voltage: 90 - 264VAC / 120-370 VDC
 Input Frequency Range: 47 - 63Hz
 Max Input Current: 1.0 / 0.5A @ 110 / 220 VAC (max)
 Max Inrush Current: 30A @ 220 VAC (cold start)

Output Characteristics

Minimum Load: No minimum load
 Adjustable Output Range: ±10%
 Ripple/Noise (pk-pk 20MHz): 3.3/5/12/24V = 50/75/120/240mV
 Regulation: ±2.0% Load / ±1% Line
 Hold-up Time: 17ms min, 100% Load @ 110 VAC
 Rise-up Time: 500ms max @ 110 VAC
 Over Current Protection: >120% (Auto-recovery)
 Over Voltage Protection: >105% (Auto-recovery)

General Specifications

Dimension (LxWxH): 5.00 x 3.00 x 1.40" / 127 x 76.2 x 35.6mm
 Weight: 300g
 Warranty: 2 years

Environmental Specifications

Operating Temperature: 0~50°C Full Load, derate 3.0%/°C up to 60°C
 Storage Temperature: -25~+85°C
 Cooling: Convection Cooled Operation
 Humidity: 10~95% RH, non-condensing
 Vibration: 0 - 55Hz, 2G 1min / cycle, period of 60min, each axis
 Reliability: >195,000 Hours MTBF

EMC & Safety Specifications

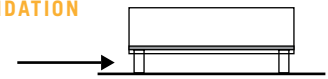
EMC Emissions: EN55022, VCCI, CISPR22 Class A (Conducted & Radiated); IEC-61000-4-2, 61000-4-4, 61000-4-5, 61000-4-11
 Safety Approval: UL 60950 (UL File No: E204980)
 TUV EN60950 (TUV No: 50070245)
 Dielectric Strength: Input-Output 3kVAC / 1min
 Input-Ground 2kVAC / 1min
 Insulation Resistance: Output-Ground: >100Mohm / 500VDC

CONNECTOR TYPES

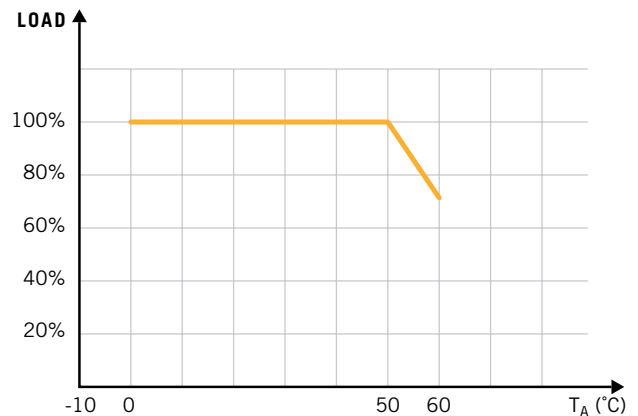
Input: Housing = Molex 09-50-3031 / Terminal = Molex 08-50-0105
 Output: Housing = Molex 09-50-3061 / Terminal = Molex 08-50-0105

MOUNTING RECOMMENDATION

7mm Standoff-spacers (X4)
 Located under Mounting-holes



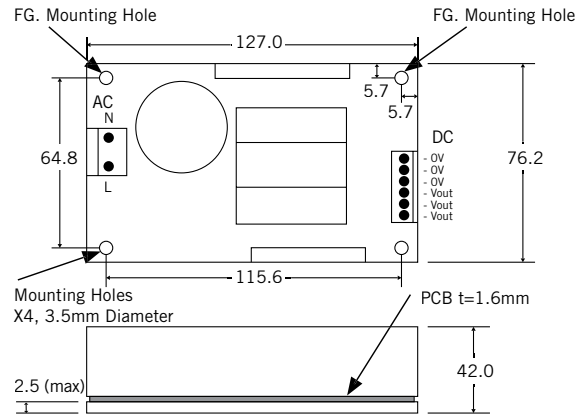
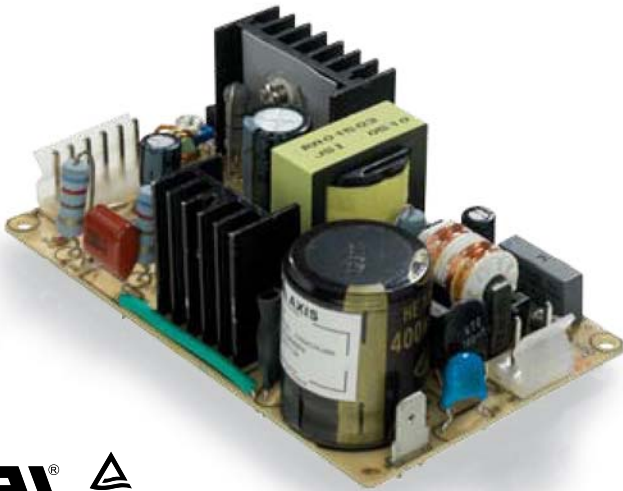
DERATING CURVE



Part Number	Voltage	Current	Efficiency
ALS50-3.3	3.3V	9.1A	70%
ALS50-5	5.0V	9.0A	70%
ALS50-12	12V	4.2A	70%
ALS50-24	24V	2.1A	70%

ALS75 Series

75 Watt Single Output Open Frame Switching Power Supply for General Purpose Applications



Unit: mm
Tolerance: ±1.0mm



SPECIFICATIONS (@25°C)

Input Characteristics

Input Voltage: 90 - 264VAC / 120-370 VDC
 Input Frequency Range: 47 - 63Hz
 Max Input Current: 1.8 / 0.9A @ 110 / 220 VAC (max)
 Max Inrush Current: 30A @ 220 VAC (cold start)

Output Characteristics

Minimum Load: No minimum load
 Adjustable Output Range: ±10%
 Ripple/Noise (pk-pk 20MHz): 100mv
 Regulation: ±2.0% Load / ±1% Line
 Hold-up Time: 17ms min, 100% Load @ 110 VAC
 Rise-up Time: 500ms max @ 110 VAC
 Over Current Protection: >120%, recycle AC to reset
 Over Voltage Protection: >105% (Zener Diode)

General Specifications

Dimension (LxWxH): 5.00 x 3.00 x 1.40" / 127 x 76.2 x 35.6mm
 Weight: 350g
 Warranty: 2 years

Environmental Specifications

Operating Temperature: 0~50°C Full Load, derate 3.0%/°C up to 60°C
 Storage Temperature: -25~+85°C
 Cooling: Convection Cooled Operation
 Humidity: 30~90% RH, non-condensing
 Vibration: 0 - 55Hz, 2G 1min / cycle, period of 60min, each axis
 Reliability: >186,000 Hours MTBF

EMC & Safety Specifications

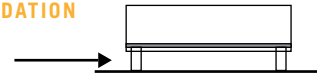
EMC Emissions: EN55022,VCCI,CISPR22 Class A (Conducted & Radiated); IEC-61000-4-2, 61000-4-4, 61000-4-5, 61000-4-11
 Safety Approval: UL 60950 (UL File No: E204980) TUV EN60950 (TUV No: 50070245)
 Dielectric Strength: Input-Output 3kVAC / 1min
 Input-Ground 2kVAC / 1min
 Insulation Resistance: Output-Ground: >100Mohm / 500VDC

CONNECTOR TYPES

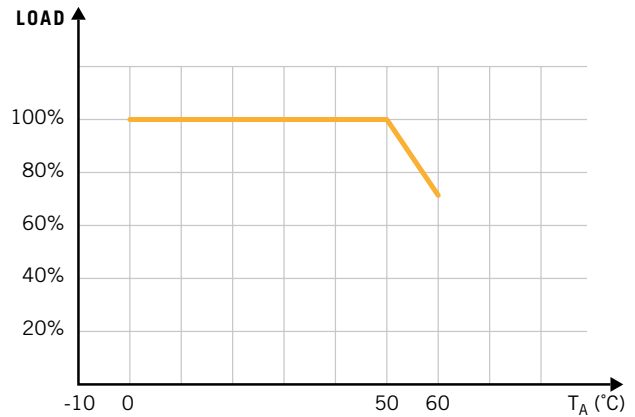
Input: Housing = Molex 09-50-3031 / Terminal = Molex 08-50-0105
 Output: Housing = Molex 09-50-3061 / Terminal = Molex 08-50-0105

MOUNTING RECOMMENDATION

7mm Standoff-spacers (X4)
 Located under Mounting-holes



DERATING CURVE



Part Number	Voltage	Current	Efficiency
ALS75-3.3	3.3V	12A	70%
ALS75-5	5.0V	12A	70%
ALS75-12	12V	6.2A	70%
ALS75-24	24V	3.1A	70%