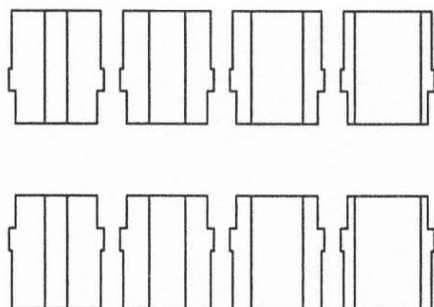
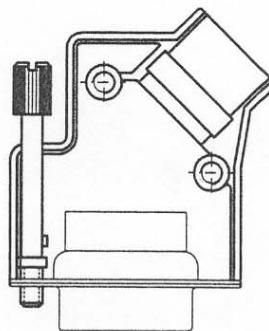
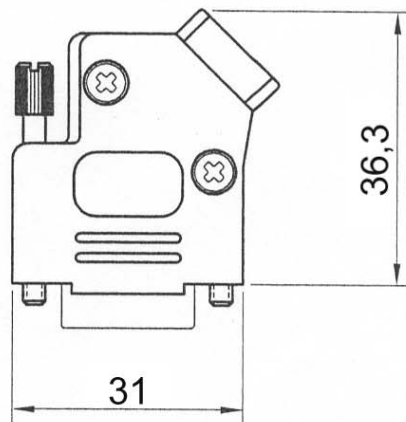
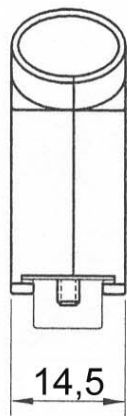

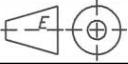


No.	Changes and/or Note No.	Date	Intr.	No.	Changes and/or Note No.	Date	Intr.



SEE SEPARATE ASSEMBLY-
INSTRUCTION.

DATE	070515	DRAWN	MRR	SCALE	1:1	MATERIAL TYPE	
		APPROVED				REPLACES	
		METAL DIECAST HOOD					
		D45ZK9				DRAWING No	
						161	