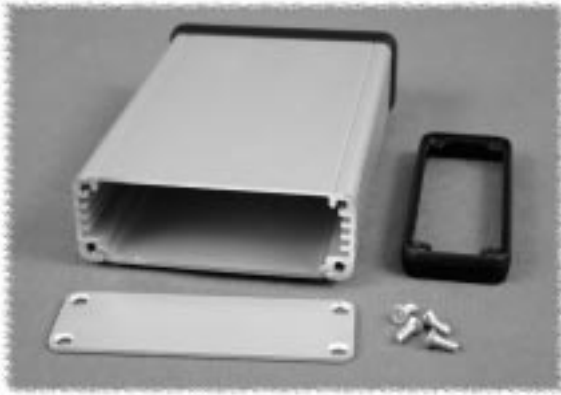


Extruded With Metal End Plates (1455 Series)



Clear Anodized Version
(Open View)



Black Anodized Version
(Assembled View)

KEY FEATURES

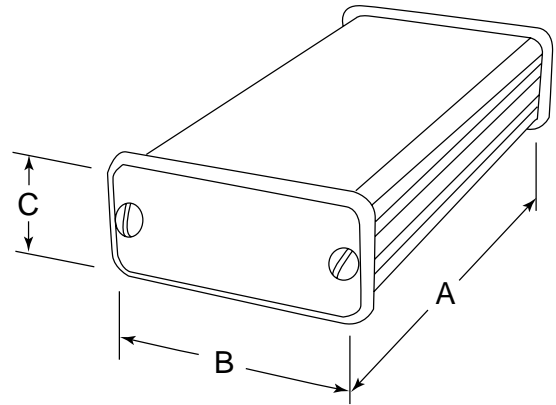
- Designed to house P.C. boards or for equipment interfacing.
- P.C. boards mount horizontally by sliding into internal slots extruded into the enclosure body.
- Visit our web site for drawings of these extrusions for complete detail by part number.
- Rugged body constructed from extruded aluminum with a minimum thickness of .06" (1.5 mm).
- Extruded body includes a sliding removable "belly" plate - except in the smaller "C" sizes (ie: 1455C801 & 1455C1201)
- Available in a clear or black anodized finish.
- Includes two aluminum end panels (matched to aluminum body finish) and two black plastic bezels. These plastic bezels can be optionally installed to create a modern look.
- Hardware and self-adhesive rubber feet included.
- Replacement screws for clear anodized version - **1455MS100** - Package of 100
- Replacement screws for black anodized version - **1455MS100BK** - Package of 100



Metal

Extruded With Metal End Plates (1455 Series)

| Part Number | | Units | Dimensions | | |
|----------------|----------------|------------|-------------|-------------|--------------|
| Clear Anodized | Black Anodized | | A | B | C |
| 1455C801 | 1455C801BK | inch mm | 3.15 80 | 2.125 54 | 0.91 23 |
| 1455C1201 | 1455C1201BK | inch mm | 4.72 120 | 2.125 54 | 0.91 23 |
| 1455J1201 | 1455J1201BK | inch mm | 4.72 120 | 3.07 78 | 1.06 27 |
| 1455K1201 | 1455K1201BK | inch mm | 4.72 120 | 3.07 78 | 1.69 43 |
| 1455L1201 | 1455L1201BK | inch mm | 4.72 120 | 4.06 103 | 1.20 30.5 |
| 1455N1201 | 1455N1201BK | inch mm | 4.72 120 | 4.06 103 | 2.09 53 |
| 1455J1601 | 1455J1601BK | inch mm | 6.30 160 | 3.07 78 | 1.06 27 |
| 1455K1601 | 1455K1601BK | inch mm | 6.30 160 | 3.07 78 | 1.69 43 |
| 1455L1601 | 1455L1601BK | inch mm | 6.30 160 | 4.06 103 | 1.20 30.5 |
| 1455N1601 | 1455N1601BK | inch mm | 6.30 160 | 4.06 103 | 2.09 53 |
| 1455R1601 | 1455R1601BK | inch mm | 6.30 160 | 6.30 160 | 1.20 30.5 |
| 1455T1601 | 1455T1601BK | inch mm | 6.30 160 | 6.30 160 | 2.10 51.5 |
| 1455L2201 | 1455L2201BK | inch mm | 8.66 220 | 4.06 103 | 1.20 30.5 |
| 1455N2201 | 1455N2201BK | inch mm | 8.66 220 | 4.06 103 | 2.09 53 |
| 1455R2201 | 1455R2201BK | inch mm | 8.66 220 | 6.30 160 | 1.20 30.5 |
| 1455T2201 | 1455T2201BK | inch mm | 8.66 220 | 6.30 160 | 2.10 51.5 |



Accessory Flange Kits



- Designed to convert the enclosures where shelf or wall mounting is required.
- Flanges are .064" (1.6mm) thick aluminum foot "L" brackets and attach to each end, replacing the plastic and/or aluminum end panels. Finish available in both clear & black to match enclosure.
- Sold in pairs.

| Part Number | | Use with Series | Units | Dimensions | |
|----------------|----------------|-----------------|------------|------------|-------------|
| Clear Anodized | Black Anodized | | | Height | Width |
| 1455CF | 1455CFBK | 1455C | inch mm | 1.24 32 | 2.125 54 |
| 1455JF | 1455JFBK | 1455J | inch mm | 1.39 35 | 3.07 78 |
| 1455KF | 1455KFBK | 1455K | inch mm | 2.02 51 | 3.07 78 |
| 1455LF | 1455LFBK | 1455L | inch mm | 1.53 39 | 4.06 103 |
| 1455NF | 1455NFBK | 1455N | inch mm | 2.42 62 | 4.06 103 |
| 1455RF | 1455RFBK | 1455R | inch mm | 1.53 39 | 6.30 160 |
| 1455TF | 1455TFBK | 1455T | inch mm | 2.43 62 | 6.30 160 |

Metal



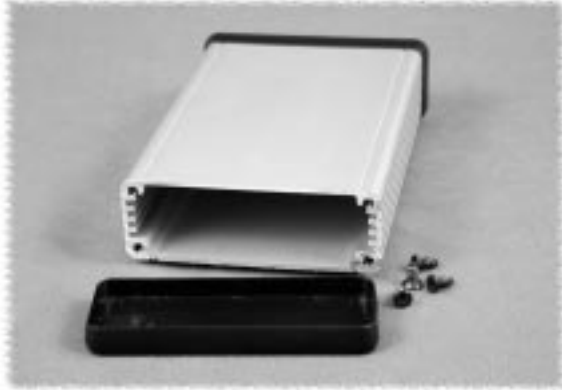
CANADA
Guelph, Ontario (519) 822-2960
St. Laurent, Quebec (514) 343-9010
USA
Cheektowaga, NY (716) 651-0086

www.hammondmfg.com

EUROPE
Basingstoke, UK +44 1256 812812

AUSTRALASIA
Queenstown, SA, Australia +61 8 8240 2244

Extruded With Plastic End Panels (1455 Series)



Clear Anodized Version
(Open View)



Black Anodized Version
(Assembled View)

KEY FEATURES

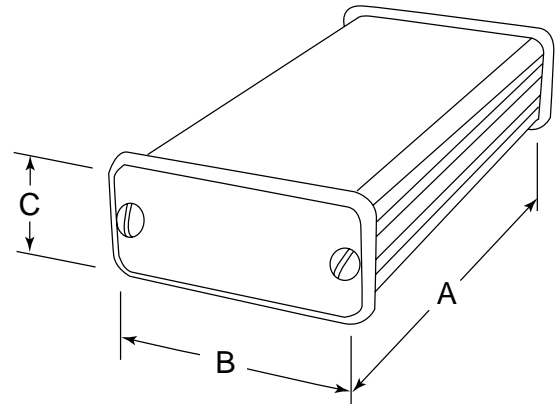
- Designed to house P.C. boards or for equipment interfacing.
- P.C. boards mount horizontally by sliding into internal slots extruded into the enclosure body.
- Visit our web site for drawings of these extrusions for complete detail by part number.
- Rugged body constructed from extruded aluminum with a minimum thickness of .06" (1.5 mm).
- Extruded body includes a sliding removable "belly" plate - except in the smaller "C" sizes (ie: 1455C802 & 1455C1202)
- Available in a clear or black anodized finish.
- Includes two easy to machine, black solid ABS plastic end panels. Panels are one piece with integral bezel.
- Hardware and self-adhesive rubber feet included.
- Replacement screws for clear anodized version - **1455MS100** - Package of 100
- Replacement screws for black anodized version - **1455MS100BK** - Package of 100



Metal

Extruded With Plastic End Panels (1455 Series)

| Part Number | | Units | Dimensions | | |
|----------------|----------------|------------|-------------|-------------|--------------|
| Clear Anodized | Black Anodized | | A | B | C |
| 1455C802 | 1455C802BK | inch mm | 3.15 80 | 2.125 54 | 0.91 23 |
| 1455C1202 | 1455C1202BK | inch mm | 4.72 120 | 2.125 54 | 0.91 23 |
| 1455J1202 | 1455J1202BK | inch mm | 4.72 120 | 3.07 78 | 1.06 27 |
| 1455K1202 | 1455K1202BK | inch mm | 4.72 120 | 3.07 78 | 1.69 43 |
| 1455L1202 | 1455L1202BK | inch mm | 4.72 120 | 4.06 103 | 1.20 30.5 |
| 1455N1202 | 1455N1202BK | inch mm | 4.72 120 | 4.06 103 | 2.09 53 |
| 1455J1602 | 1455J1602BK | inch mm | 6.30 160 | 3.07 78 | 1.06 27 |
| 1455K1602 | 1455K1602BK | inch mm | 6.30 160 | 3.07 78 | 1.69 43 |
| 1455L1602 | 1455L1602BK | inch mm | 6.30 160 | 4.06 103 | 1.20 30.5 |
| 1455N1602 | 1455N1602BK | inch mm | 6.30 160 | 4.06 103 | 2.09 53 |
| 1455R1602 | 1455R1602BK | inch mm | 6.30 160 | 6.30 160 | 1.20 30.5 |
| 1455T1602 | 1455T1602BK | inch mm | 6.30 160 | 6.30 160 | 2.10 51.5 |
| 1455L2202 | 1455L2202BK | inch mm | 8.66 220 | 4.06 103 | 1.20 30.5 |
| 1455N2202 | 1455N2202BK | inch mm | 8.66 220 | 4.06 103 | 2.09 53 |
| 1455R2202 | 1455R2202BK | inch mm | 8.66 220 | 6.30 160 | 1.20 30.5 |
| 1455T2202 | 1455T2202BK | inch mm | 8.66 220 | 6.30 160 | 2.10 51.5 |



Accessory Flange Kits



- Designed to convert the enclosures where shelf or wall mounting is required.
- Flanges are .064" (1.6mm) thick aluminum foot "L" brackets and attach to each end, replacing the plastic and/or aluminum end panels. Finish available in both clear & black to match enclosure.
- Sold in pairs.

| Part Number | | Use with Series | Units | Dimensions | |
|----------------|----------------|-----------------|------------|------------|-------------|
| Clear Anodized | Black Anodized | | | Height | Width |
| 1455CF | 1455CFBK | 1455C | inch mm | 1.24 32 | 2.125 54 |
| 1455JF | 1455JFBK | 1455J | inch mm | 1.39 35 | 3.07 78 |
| 1455KF | 1455KFBK | 1455K | inch mm | 2.02 51 | 3.07 78 |
| 1455LF | 1455LFBK | 1455L | inch mm | 1.53 39 | 4.06 103 |
| 1455NF | 1455NFBK | 1455N | inch mm | 2.42 62 | 4.06 103 |
| 1455RF | 1455RFBK | 1455R | inch mm | 1.53 39 | 6.30 160 |
| 1455TF | 1455TFBK | 1455T | inch mm | 2.43 62 | 6.30 160 |

Metal



CANADA
Guelph, Ontario (519) 822-2960
St. Laurent, Quebec (514) 343-9010
USA
Cheektowaga, NY (716) 651-0086

www.hammondmg.com

EUROPE
Basingstoke, UK +44 1256 812812

AUSTRALASIA
Queenstown, SA, Australia +61 8 8240 2244