

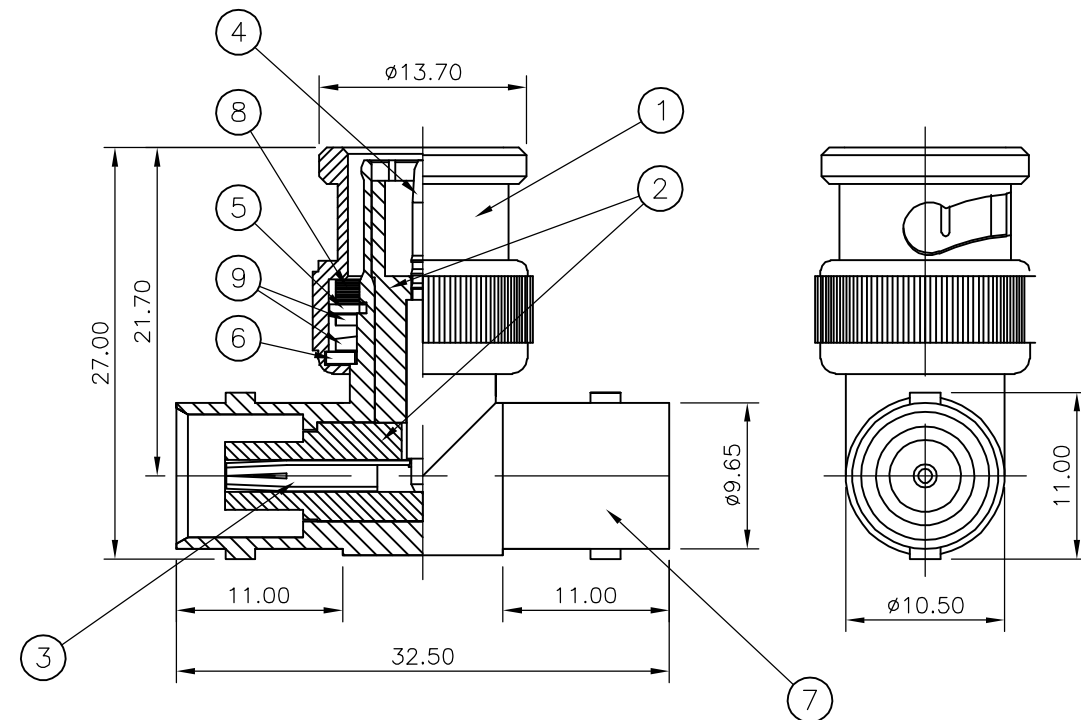
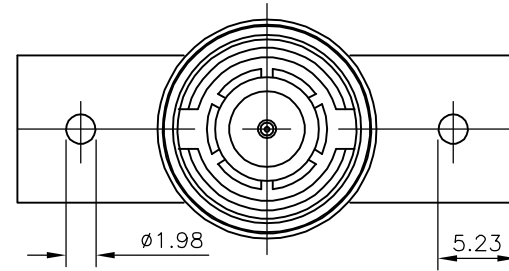
THIS DRAWING IS UNPUBLISHED. RELEASED FOR PUBLICATION AUGUST ,2005.

© COPYRIGHT 2005 BY TYCO ELECTRONICS CORPORATION. ALL RIGHTS RESERVED.

LOC	DIST	REVISIONS					
E	B	P	LTR	DESCRIPTION	DATE	DWN	APVD
		A		FIRST ISSUE	17AUG05	JMS	FWK

NOTES

- 1 100 TRAY PACK IN ACCORDANCE WITH AMP SPEC 107-3275
 - 2 SINGLE PACK IN ACCORDANCE WITH AMP SPEC 107-3275
 - 3 Au PLATING OVER Ni PLATING OVER Cu PLATING
 - 4 Ni PLATING OVER Cu PLATING
5. CHARACTERISTICS
- | | |
|-------------------------------|------------|
| FREQUENCY RANGE: | DC - 4GHz |
| NOMINAL IMPEDANCE: | 50 OHMS |
| WORKING VOLTAGE: | 500V RMS |
| INSULATION RESISTANCE: | 5000 MOHMS |
| DIELECTRIC WITHSTAND VOLTAGE: | 1500V RMS |
| CONTACT RESISTANCE: | |
| CENTRE CONTACT | 1.5 mOHMS |
| OUTER CONTACT | 0.2 mOHMS |
6. MECHANICAL CHARACTERISTICS
- | | |
|-------------|-----------|
| DURABILITY: | 50 CYCLES |
|-------------|-----------|
7. FOR TECHNICAL DATA REFER TO YOUR LOCAL TYCO ELECTRONICS SALES OFFICE
8. ALL DIMENSIONS ARE NOMINAL FOR REFERENCE ONLY UNLESS OTHERWISE STATED



QTY	QTY	MATERIAL	DESCRIPTION	ITEM
1	1	SPRING STEEL	SPRING	9
1	1	SILCON RUBBER	GASKET	8
1	1	ZINC ALLOY	△ BODY	7
1	1	BRASS	△ WASHER	6
1	1	BRASS	△ CIRCLIP	5
1	1	BRASS	△ MALE CONTACT	4
1	1	PHOSPHOR BRONZE	△ FEMALE CONTACT	3
2	2	PE-606	INSULATOR	2
1	1	ZINC ALLOY	△ SHELL	1
5--1	5--0	MATERIAL	DESCRIPTION	ITEM
△	△			

THIS DRAWING IS A CONTROLLED DOCUMENT.		DWN J.SANDWELL 17AUG05	 Tyco Electronics Corporation Bideford, UK, EX39 4HE													
DIMENSIONS: mm		CHK S.PARLOW 17AUG05														
TOLERANCES UNLESS OTHERWISE SPECIFIED:		APVD F.WHEELER-KING 17AUG05	NAME BNC T-ADAPTOR 50 OHMS													
<table border="0"> <tr><td>0 PLC</td><td>± -</td></tr> <tr><td>1 PLC</td><td>± -</td></tr> <tr><td>2 PLC</td><td>± -</td></tr> <tr><td>3 PLC</td><td>± -</td></tr> <tr><td>4 PLC</td><td>± -</td></tr> <tr><td>ANGLES</td><td>± -</td></tr> </table>		0 PLC	± -	1 PLC	± -	2 PLC	± -	3 PLC	± -	4 PLC	± -	ANGLES	± -	PRODUCT SPEC 108-3435	DRAWING NO C-1634532	
0 PLC	± -															
1 PLC	± -															
2 PLC	± -															
3 PLC	± -															
4 PLC	± -															
ANGLES	± -															
MATERIAL SEE TABLE		FINISH SEE TABLE	SIZE A3	CAGE CODE 00779												
		WEIGHT -	RESTRICTED TO -													
		CUSTOMER DRAWING		SCALE NTS												
		SHEET 1 OF 1		REV A												