

AC Cooling Fan AC 4E



SIZE :

119x119x38mm (4.69"x4.69"x1.50")

CONSTRUCTION :

- Die-cast aluminum housing
- Metal impeller or Glass fiber reinforced plastic: Impeller are UL 94V-0 rating
- Shaded pole motor
- Impedance protected
- Leader wire or Terminal is available

OPERATING TEMPERATURE :

Ball bearing - 30°C to +75°C

Sleeve bearing - 10°C to +70°C

WEIGHT :

600 grams

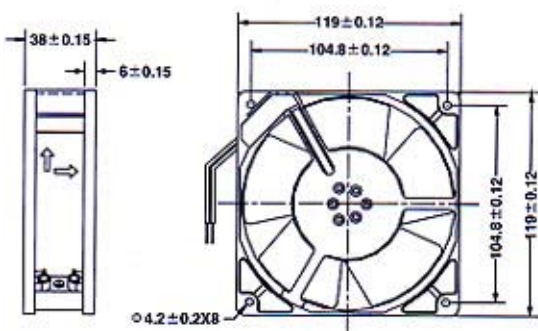


Specifications

Specifications are subject to change without notice

MODEL NO.	BEARING	RATED VOLTAGE	FREQUENCY	MAX. RATED CURRENT	MAX. INPUT POWER	SPEED	MAX. AIR FLOW		MAX. AIR PRESSURE		NOISE
		VAC	Hz	mA	W	R.P.M.	m ³ /min	CFM	mmH ₂ O	IN H ₂ O	
4E-115B-21	Ball	115	50/60	230/220	22/20	2000/2200	2.23/2.32	79/82	3.4/3.0	0.13/0.11	39/41
4E-115S-21	Sleeve										
4E-230B-21	Ball	230	50/60	130/120	20/19	2000/2200	2.23/2.32	79/82	3.4/3.0	0.13/0.11	39/41
4E-230S-21	Sleeve										
4E-115B	Ball	115	50/60	250/240	24/22	2700/3000	2.99/3.39	106/120	7.6/7.0	0.29/0.27	46/50
4E-115S	Sleeve										
4E-230B	Ball	230	50/60	140/130	22/21	2700/3000	2.99/3.39	106/120	7.6/7.0	0.29/0.27	46/50
4E-230S	Sleeve										

Dimensions (mm)



Performance Curve

