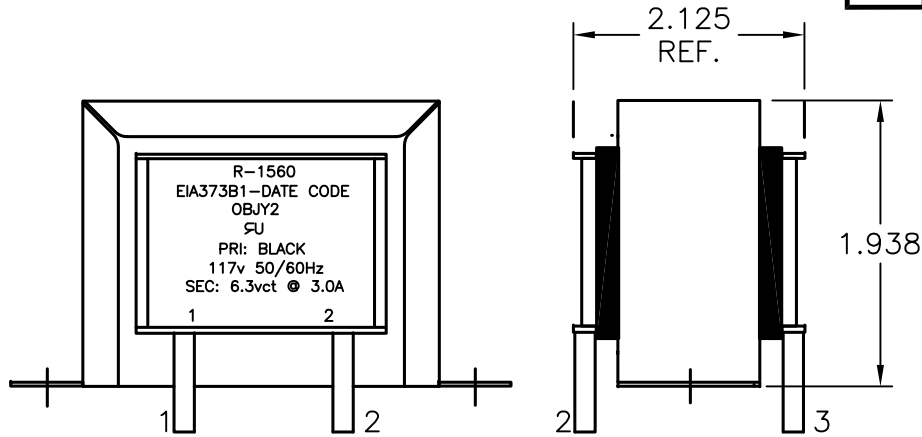


ALL RIGHTS RESERVED. NO PORTION OF THIS PUBLICATION, WHETHER IN WHOLE OR IN PART CAN BE REPRODUCED WITHOUT THE EXPRESS WRITTEN CONSENT OF SPC TECHNOLOGY.

REVISIONS			DOC. NO. SPC-F005 * Effective: 12/21/98 * DCP No: 680					
DCP #	REV	DESCRIPTION	DRAWN	DATE	CHECKD	DATE	APPRVD	DATE
2052	A	RELEASED	JN	08-19-09	JWM	08-19-09	JWM	08-19-09



Electrical Characteristics

Primary

117v +/-10%, FREQUENCY = (50,60)Hz

Secondary

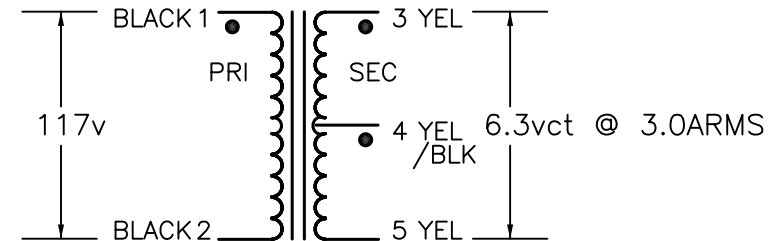
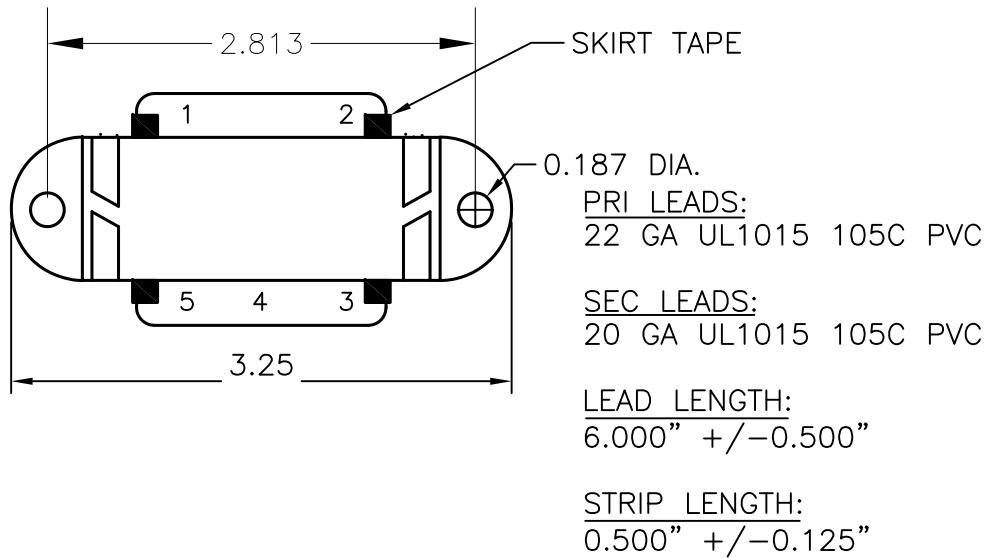
6.3vct @ 3.0ARMS

REGULATION: 12.6% (APPROX)

Transformer Isolation

Pri/Sec 1500v

Wind/Core 1500v



DISCLAIMER:
ALL STATEMENTS AND TECHNICAL INFORMATION CONTAINED HEREIN ARE BASED UPON INFORMATION AND/OR TESTS WE BELIEVE TO BE ACCURATE AND RELIABLE. SINCE CONDITIONS OF USE ARE BEYOND OUR CONTROL, THE USER SHALL DETERMINE THE SUITABILITY OF THE PRODUCT FOR THE INTENDED USE AND ASSUME ALL RISK AND LIABILITY WHATSOEVER IN CONNECTION THEREWITH.



SPC TECHNOLOGY

UNLESS OTHERWISE SPECIFIED, DIMENSIONS ARE FOR REFERENCE PURPOSES ONLY.

DRAWN BY:	DATE:
Jason Nash	08-19-09
CHECKED BY:	DATE:
JWM	08-19-09
APPROVED BY:	DATE:
JWM	08-19-09

DRAWING TITLE:
Control & Filament Transformer

SIZE	DWG. NO.	ELECTRONIC FILE	REV
A	SPC20979	10M5583.dwg	A

SCALE: NTS U.O.M.: INCHES [mm] SHEET: 1 OF 1