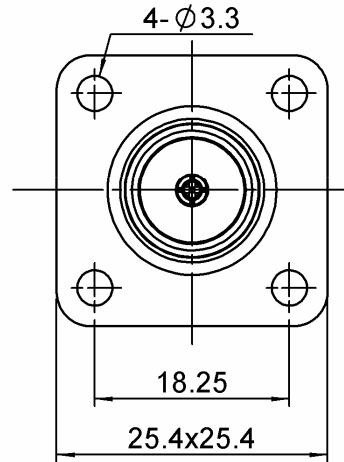
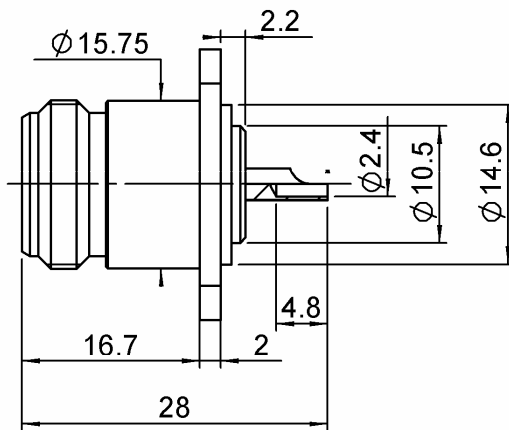


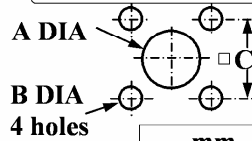
25.4 MM SQUARE FLANGE RECEPTACLE

**R161A.404.000**

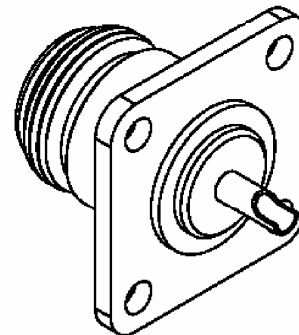
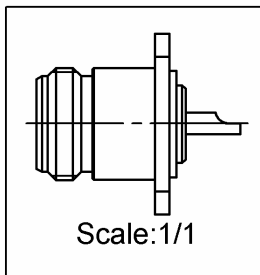
Series : ECO N 50



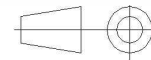
**PANEL CUT OUT**



	mm	
	Maxi	mini
A (R. Mount)	15.1	15
A (F. Mount)	16.3	16.2
B	3.3	3.2
C	18.35	18.15



All dimensions are in mm.



COMPONENTS	MATERIALS	PLATING (µm)
BODY	BRASS	BBR
CENTER CONTACT	BRONZE	GOLD
OUTER CONTACT		
INSULATOR	PTFE	
GASKET	SILICONE RUBBER	
OTHERS PARTS		
-	-	-
-	-	-

Issue : 0913 A

In the effort to improve our products, we reserve the right to make changes judged to be necessary.



**25.4 MM SQUARE FLANGE RECEPTACLE**

**R161A.404.000**

Series : **ECO N 50**

**PACKAGING**

Standard	Unit	Other
<b>50</b>	<b>'W' option</b>	<b>Contact us</b>

**SPECIFICATION**

**ELECTRICAL CHARACTERISTICS**

Impedance	<b>50</b>	$\Omega$
Frequency	<b>0-6</b>	GHz
VSWR	<b>1.2 + 0.0000</b>	x F(GHz) Maxi
Insertion loss	<b>0.1</b>	$\sqrt{F}$ (GHz) dB Maxi
RF leakage	- ( <b>NA</b> )	- F(GHz)) dB Maxi
Voltage rating	<b>1400</b>	Veff Maxi
Dielectric withstanding voltage	<b>2500</b>	Veff mini
Insulation resistance	<b>5000</b>	M $\Omega$ mini

**ENVIRONMENTAL**

Operating temperature	<b>-40/+85</b>	$^{\circ}$ C
Hermetic seal	<b>NA</b>	Atm.cm3/s
Panel leakage	<b>NA</b>	

**OTHER CHARACTERISTICS**

Assembly instruction **NA**

Others :

**MECHANICAL CHARACTERISTICS**

Center contact retention		
Axial force – Mating end	<b>27</b>	N mini
Axial force – Opposite end	<b>27</b>	N mini
Torque	<b>NA</b>	N.cm mini
Recommended torque		
Mating	<b>NA</b>	N.cm
Panel nut	<b>NA</b>	N.cm
Mating life	<b>100</b>	Cycles mini
Weight	<b>29.7000</b>	g

**Issue : 0913 A**

In the effort to improve our products, we reserve the right to make changes judged to be necessary.

