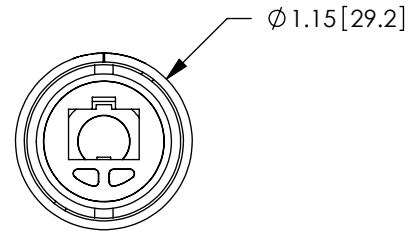
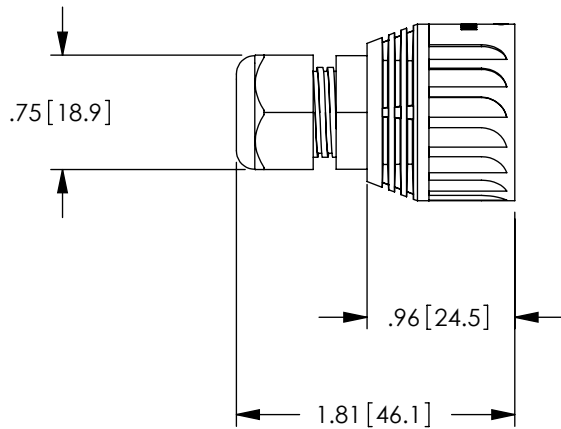
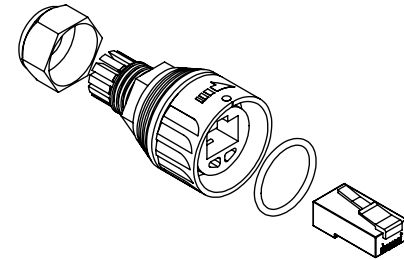
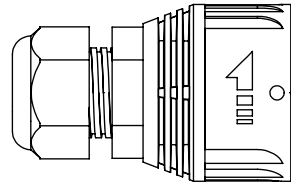


THE INFORMATION CONTAINED IN THIS DRAWING IS THE SOLE PROPERTY OF L-COM, INC. ANY REPRODUCTION IN PART OR WHOLE WITHOUT THE WRITTEN PERMISSION OF L-COM, INC. IS PROHIBITED.

REVISIONS			
REV	DESCRIPTION	DATE	APPROVED
A	INITIAL RELEASE	04/18/07	C.BERUBE
B	ECN 4124: CHANGE DIM 1.15 WAS 2.32 DIAMETER	7/13/09	D.FRISIELLO



NOTES:

MATERIAL
HOUSING/NUT: THERMOPLASTIC
GASKET: RUBBER

MISCELLANEOUS
ASSEMBLY TO BE INDIVIDUALLY PACKED IN A POLY BAG.
ASSEMBLY TO BE ROHS COMPLIANT.
ALL DIMENSIONS ARE REFERENCE ONLY.
KIT IS SHIPPED UN-ASSEMBLED.

UNLESS OTHERWISE SPECIFIED, DIMENSIONS ARE IN INCHES [mm] DIMENSIONAL TOLERANCES: .X = ±.1 .XX = ±.02 .XXX = ±.005 ANGULAR TOLERANCES: ALL = ± 1°	APPROVALS	DATE		45 BEECHWOOD DRIVE NORTH ANDOVER, MA 01845	
	DRAWN BY C.BERUBE	02/21/07			
	CHECKED BY J.ROBERTS	04/18/07	CATEGORY MODULAR		
	APPROVED BY J.ROBERTS	04/18/07	PRODUCT DESCRIPTION RJ45 PLUG KIT		
PROJECTION 	COLOR VARIATIONS MAY OCCUR	SIZE A	FSCM NO. 43321	DWG. NO. WT6788DS	REV. B
		SCALE: NONE	CAD FILE: WT6788DS.SLDDRW		SHEET 1 OF 1