



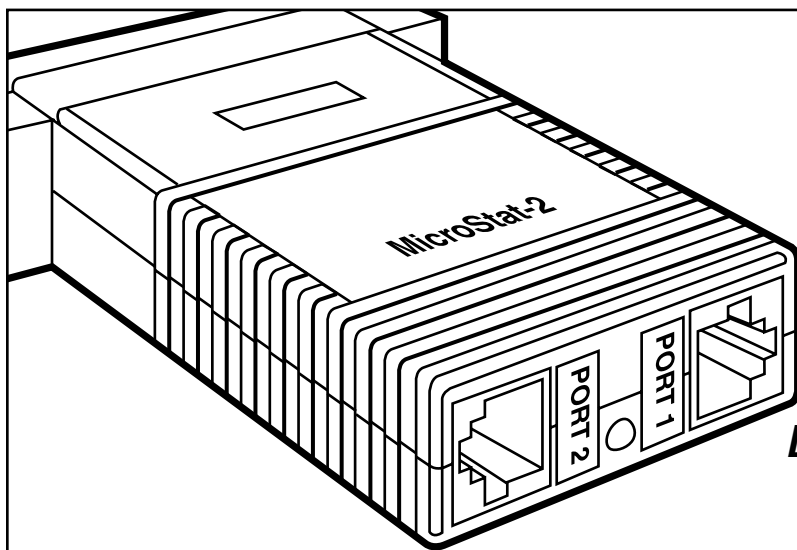
© 2005. All rights reserved.
Black Box Corporation.

BLACK BOX[®]

NETWORK SERVICES

Black Box Corporation • 1000 Park Drive • Lawrence, PA 15055-1018 • Tech Support: 724-746-5500 • www.blackbox.com • e-mail: info@blackbox.com

MICROSTAT-2



*Double the efficiency of a dialup
or leased-line modem link.*

Key Features

- ▶ **Multiplexes two RS-232 devices into one RS-232 modem link.**
- ▶ **Merges data channels into one data stream, transmits them, and then separates them into their original channels.**
- ▶ **Command mode uses standard AT commands, just like an ordinary modem.**
- ▶ **Supports end-to-end flow control on all ports.**
- ▶ **Requires no AC power or batteries.**

The MicroStat-2 is a miniature statistical multiplexor that multiplexes two async channels over one async connection. The mux on the other side then demultiplexes the data, allowing two async serial connections at the same time over one line.

Its operating data rate goes up to 38.4 kbps, and it uses specialized circuitry and V.34+ modem technology to monitor and prioritize data flow.

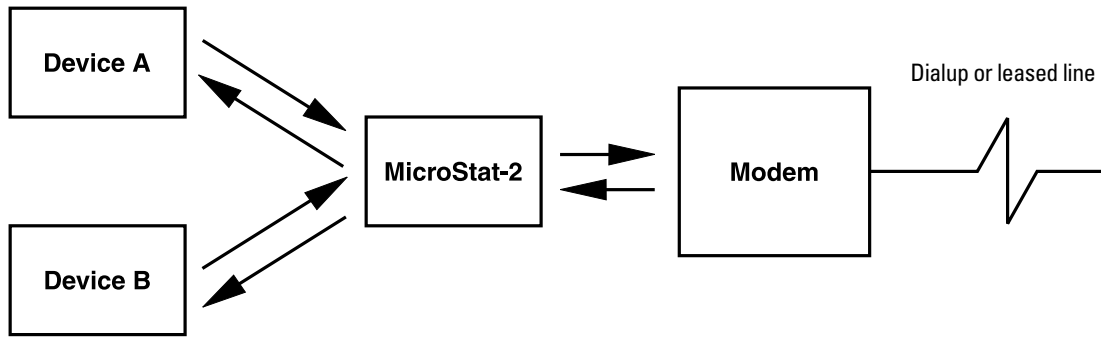
The MicroStat-2 automatically senses the data rate of the local DTE device upon start up. And you can configure local and remote multiplexors from either of the local ports. It also features remote loopback tests and hardware and software flow control.

Efficient modem operation is guaranteed, thanks to the multiplexor's enhanced AT Command Set configuration.

A status LED lights when one of the ports is receiving or transmitting data. And flexible flow control includes hardware or software.

The MicroStat-2 has three serial connectors: a DB25 male connector for attaching to a modem and two RJ-45 connectors for attaching to serial devices such as computers, terminals, or plotters.

The multiplexor must be used in pairs.



Link two async devices to one dialup or leased line.

Specifications

Subchannels (Serial Devices)

Configuration: DCE

Transmission: Asynchronous, full duplex

Baud Rate: 110, 300, 1200, 2400, 4800, 9600, 19,200, 38,400 bps, selectable or auto-detected

Word Size: 7 or 8 data bits

Parity: Odd, even, mark, space, or none

Stop Bits: 1 or 2

Flow Control: Hardware (RTS/CTS), software (X-ON/X-OFF)

Interface: V.24/RS-232C

Connectors: (2) RJ-45

Main Channel (Modem)

Transmission: Asynchronous, full duplex

Flow Control: RTS/CTS or no flow control

Baud Rate: 1200, 2400, 4800, 9600, 19,200, 38,400 bps selectable

Mean Time Between Failure (MTBF): 184,145 hours

Interface: DTE, V.24/RS-232C

Connectors: (1) DB25 male

Temperature Tolerance: Operating: 32 to 158°F (0 to 70°C)

Humidity Tolerance: Up to 95%, noncondensing

Altitude: Up to 15,000 feet (4572 m)

Power: Derived from the RS-232 interfaces; Pins 5, 6, and 9 on main channel DB25; Pins 3 and 8 on subchannel RJ-45; 7 to 15V with 30 to 500 mA

Size: 2.7"H x 2.1"W x 0.75"D (6.9 x 5.3 x 1.9 cm)

Weight: 0.1 lb. (0.05 kg)

Why Buy From Black Box? Exceptional Value. Exceptional Tech Support. Period.

Recognize any of these situations?

- You wait more than 30 minutes to get through to a vendor's tech support.
- The so-called "tech" can't help you or gives you the wrong answer.
- You don't have a purchase order number and the tech refuses to help you.
- It's 9 p. m. and you need help, but your vendor's tech support line is closed.

According to a survey by Data Communications magazine, 90% of network managers surveyed say that getting the technical support they need is extremely important when choosing a

vendor. But even though network managers pay anywhere from 10 to 20% of their overall purchase price for a basic service and support contract, the technical support and service they receive falls far short of their expectations—and certainly isn't worth what they paid.

At Black Box, we guarantee the best value and the best support. You can even consult our Technical Support Experts before you buy if you need help selecting just the right component for your application.

Don't waste time and money—call Black Box today.

Ordering Information

ITEM	CODE
MicroStat-2.....	MX910A
<i>You might also need...</i>	
RJ-45/DB25 to DTE Adapter Kits	
Female	MX530
Male	MX531
RJ-45 (8-Wire) Modular Cable, Straight-Pinned, 7-ft. (2.1-m).....	EL08MS-07
<i>(For other lengths or pinnings, call our FREE Tech Support.)</i>	