

**PLEASE CHECK WWW.MOLEX.COM FOR LATEST PART INFORMATION**

**Part Number:** [0366380001](#)  
**Status:** **Active**  
**Overview:** [cmc connectors](#)  
**Description:** 2.50mm (.098"), 3.50mm (.138") CMC Header, Right Angle, 96 Position, 72 loaded, 2 Port, Black and Brown, Lead-free

**Documents:**

[3D Model](#) [RoHS Certificate of Compliance \(PDF\)](#)  
[Drawing \(PDF\)](#)

**General**

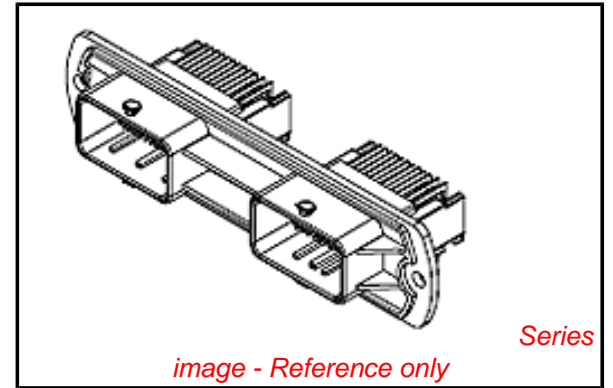
Product Family	PCB Headers
Series	<a href="#">36638</a>
Application	Power, Wire-to-Board
Overview	<a href="#">cmc connectors</a>
Product Name	CMC

**Physical**

Breakaway	No
Circuits (Loaded)	72
Circuits (maximum)	96
Circuits Detail	12 x 1.5mm & 60 x 0.635mm terminals
Color - Resin	Black
Durability (mating cycles max)	20
First Mate / Last Break	Yes
Glow-Wire Compliant	No
Guide to Mating Part	Yes
Keying to Mating Part	Yes
Lock to Mating Part	No
Mated Height	6.70mm (.264")
Material - Metal	Brass
Material - Plating Mating	Tin
Material - Plating Termination	Tin
Material - Resin	Polyester
Number of Rows	4
Orientation	Right Angle
PC Tail Length	2.90mm (.114")
PCB Locator	No
PCB Retention	None
PCB Thickness - Recommended	0.80mm (.031"), 1.60mm (.063")
Packaging Type	Tray
Pitch - Mating Interface	2.50mm (.098"), 3.50mm (.138"), 3.70mm (.146")
Pitch - Term. Interface (in)	0.098 In, 0.138 In, 0.146 In
Pitch - Term. Interface (mm)	2.50 mm, 3.50 mm, 3.70 mm
Plating min - Mating	4.064µm (160µ")
Plating min - Termination	4.064µm (160µ")
Polarized to Mating Part	Yes
Polarized to PCB	Yes
Shrouded	Closed Ends
Stackable	No
Surface Mount Compatible (SMC)	No
Temperature Range - Operating	-40°C to +100°C
Termination Interface: Style	Through Hole

**Electrical**

Current - Maximum per Contact	6A
-------------------------------	----



**EU RoHS**

**ELV and RoHS Compliant**

**REACH SVHC**

Not Reviewed

**Low-Halogen Status**

**Low-Halogen**

**China RoHS**



**Need more information on product environmental compliance?**

Email [productcompliance@molex.com](mailto:productcompliance@molex.com)  
 For a multiple part number RoHS Certificate of Compliance, [click here](#)

Please visit the [Contact Us](#) section for any non-product compliance questions.

**Search Parts in this Series**

[36638Series](#)

**Mates With**

CMC Receptacle Connector [643201319](#) , [643203311](#)

**Use With**

CMC Receptacle Connector [643201319](#) , [643203311](#). CMC CP Terminals [64322](#) , [64323](#). CMC Blind Plug for CP Terminal [64325](#). Wire Cap [643191201](#)

Voltage - Maximum

250V

**Material Info**

Country of Origin

IN

**Reference - Drawing Numbers**

Packaging Specification

PK-36638-001, PK-36638-002, PK-36638-003

Sales Drawing

SD-36638-001

This document was generated on 11/03/2010

**PLEASE CHECK [WWW.MOLEX.COM](http://WWW.MOLEX.COM) FOR LATEST PART INFORMATION**