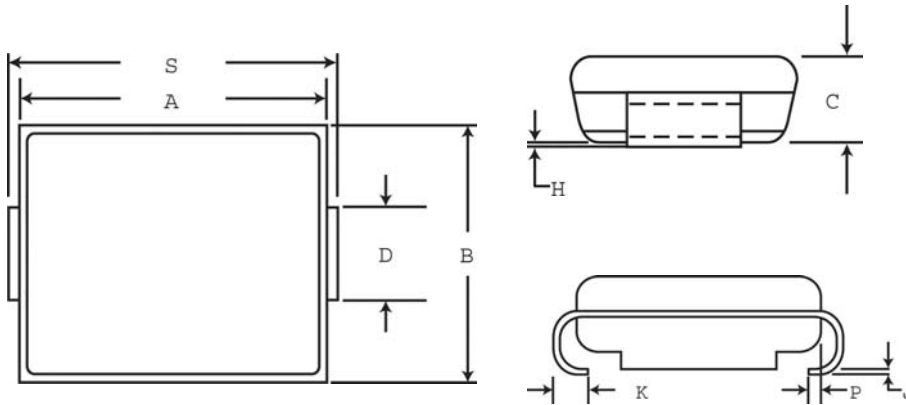
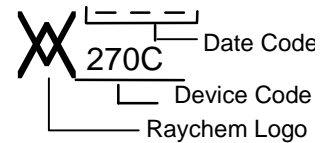


Specification Status: Preliminary

PHYSICAL DESCRIPTION



Marking:



	A		B		C		D**		H		J		K	
	MIN	MAX	MIN	MAX	MIN	MAX	MIN	MAX	MIN	MAX	MIN	MAX	MIN	MAX
mm:	4.06	4.57	3.30	3.94	1.90	2.44	1.95	2.20	0.05	0.20	0.15	0.31	0.76	1.52
in*:	(0.160)	(0.180)	(0.130)	(0.155)	(0.075)	(0.096)	(0.077)	(0.086)	(0.002)	(0.008)	(0.006)	(0.012)	(0.030)	(0.060)

	P	S	
	REF	MIN	MAX
mm:	0.51	5.21	5.59
in*:	(0.020)	(0.205)	(0.220)

*Rounded off approximation
 ** D DIMENSION SHALL BE MEASURED WITHIN DIMENSION P

Other Physical Characteristics

Form Factor: SMB (Surface Mount, JEDEC DO-214AA Package)
 Lead Material: 100% Tin, Matte Finish
 Encapsulation Material: Epoxy, meets UL94 V-0 requirements
 Solderability: per MIL-STD-750, Method 2026
 Solder Heat Withstand: per MIL-STD-750, Method 2031
 Solvent Resistance: per MIL-STD-750, Method 1022
 Mechanical Shock: per MIL-STD-750, Method 2016
 Vibration: per MIL-STD-750, Method 2056

Tape and Reel packaging per EIA 481-1

Agency Recognition: UL
 Precedence: This specification takes precedence over documents referenced herein.
 CAUTION: Operation beyond the rated voltage or current may result in rupture, electrical arcing or flame.

Materials Information

RoHS Compliant ELV Compliant

Directive 2002/95/EC
Compliant

Directive 2000/53/EC
Compliant

Tyco / Electronics
Raychem Circuit Protection
 308 Constitution Drive
 Menlo Park, CA 94025-1164
 Phone: 800-227-4856
 Fax: 800-227-4866

SiBar
Thyristor Surge Protectors

PRODUCT: TVB270SC-L

DOCUMENT: SCD 25523
 PCN: D84852
 REV LETTER: C
 REV DATE: AUGUST 24, 2004
 PAGE NO.: 2 OF 2

DEVICE RATINGS @ 25° C (Both Polarities)

Parameter	Symbol	Value	Units
Repetitive Off-State Voltage, Maximum at $I_D = 5 \mu A$	VDM	270	V
Non-Repetitive Peak Telcordia GR-1089 CORE 10x1000 μs	IPP ₁	100	A
Impulse Current TIA-968 lightning Type A Metallic 10/560 μs	IPP ₂	150	A
Double exponential TIA-968 lightning Type A Longit. 10/160 μs	IPP ₃	200	A
Waveform Telcordia GR-1089 Intrabuilding 2/10 μs	IPP ₄	500	A
(Notes 1 and 2) IEC61000-4-5 (Voc 1.2/50us) 8/20 μs	IPP ₅	400	A
ITU-T K.20/K.21 (Voc 10/700us) 5/310 μs	IPP ₆	100	A
TIA-968 lightning Type B (Voc 9/720us) 5/320 μs	IPP ₇	100	A
Critical Rate of Rise of On-State Current Power Pulse Amplifier, C=30 μF , V=600V Maximum 2x10 μs waveform, V _{OC} =2.5kV, I _{SC} =500A peak	di/dt di/dt	500 330	A/ μs A/ μs

DEVICE THERMAL RATINGS

Parameter	Symbol	Value	Units
Storage Temperature Range	TSTG	-55 to 150	°C
Operating Temperature Range Blocking or conducting state	TA	-40 to 125	°C
Overload Junction Temperature Maximum; Conducting state only	TJ	+150	°C
Maximum Lead Temperature for Soldering Purpose; for 10 seconds	TL	+260	°C

ELECTRICAL CHARACTERISTICS Both polarities (T_J @ 25°C unless otherwise noted)

Characteristics	Symbol	Min	Typ	Max	Units
Breakover Voltage (+25°C) (dv/dt = 0.4kV/ μs , I _{SC} =900mA, V _{DC} = 500V (both polarities))	VBO	----	310	365	V
Breakover Voltage Temperature Coefficient	dVBO/dTJ	----	0.1	----	%/°C
Off-State Current (VD1=50V) (VD2=VDM)	ID1 ID2=IDM	----	-----	2.0 5.0	μA μA
On-State Voltage (IT=1A) (PW \leq 300 μs , Duty Cycle \leq 2% (Note 2))	VT	----	-----	4.0	V
Breakover Current	IBO	----	-----	800	mA
Holding Current (Note 2)	IH	150	----	----	mA
Peak Onstage Surge Current (Measured @ 60Hz, 1 cycle, 600V)	ITSM	60	----	----	A
Critical Rate of Rise of Off-State Voltage (Linear waveform, V _D = 0.8 X Rated V _{BO} , T _J = +25°C)	dv/dt	2000	----	----	V/ μs
Capacitance (f=1.0 Mhz, 50Vdc bias, 1Vrms)	C1	----	50	----	pF
(f=1.0 Mhz, 2Vdc bias, 1Vrms)	C2	----	110	----	pF

Note 1. Allow cooling before test second polarity

Note 2. Measured under pulse conditions to reduce heating

VOLTAGE-CURRENT CHARACTERISTIC

