

"DIGIMATIC" Micrometer

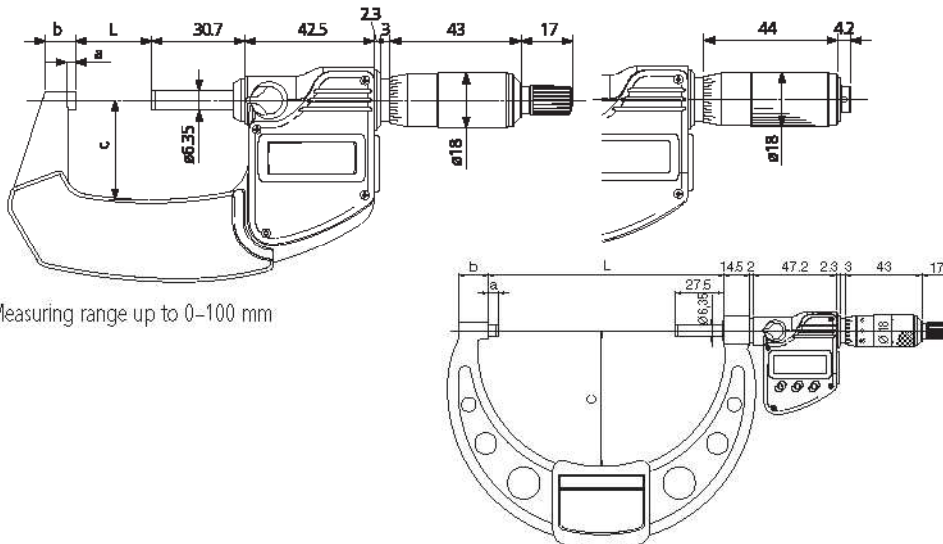
- Digital standard external screw type micrometer with IP-65 protection.

Series 293
with data output



Measuring range mm	No.	Error limit* μm	L mm	a mm	b mm	c mm	Mass g	
With ratchet (standard version)								
0- 25	293-230	2	-	2,8	9,0	25,0	270	
25- 50	293-231	2	25,0	2,8	9,8	32,0	330	
50- 75	293-232	2	50,0	2,8	12,6	47,0	470	
75-100	293-233	3	75,0	2,8	14,0	60,0	625	
100-125	293-250	3	132,8	5,3	16,7	76,5	600	
125-150	293-251	3	158,2	5,7	18,8	91,0	740	
150-175	293-252	4	183,6	6,1	19,1	103,1	800	
175-200	293-253	4	208,8	6,3	18,2	115,3	970	
200-225	293-254	4	234,2	6,7	16,8	126,8	1100	
225-250	293-255	5	258,0	5,5	18,0	139,8	1270	
250-275	293-256	5	284,0	6,5	18,0	152,3	1340	
275-300	293-257	5	309,0	6,5	18,0	166,0	1540	
With ratchet thimble								
0- 25	293-234	2	-	2,8	9,0	25,0	270	
25- 50	293-235	2	25,0	2,8	9,8	32,0	330	
50- 75	293-236	2	50,0	2,8	12,6	47,0	470	
75-100	293-237	3	75,0	2,8	14,0	60,0	625	
With friction thimble								
0- 25	293-238	2	-	2,8	9,0	25,0	270	
Set								
0- 50	293-966	Contents: 293-230, 293-231 + individual gauge block 25 mm made of ceramics						
0- 75	293-962	293-230, 293-231, 293-232 + gauge block 25 mm and 50 mm						
0-100	293-963	293-230, 293-231, 293-232, 293-233 + gauge block 25 mm, 50 mm and 75 mm						

* Accuracy exceeding the requirements of DIN 863



Measuring range up to 0-100 mm

Measuring range up to 100-300 mm

Functions	Series 293
ORIGIN up to 100 mm	●
ZERO/ABS	●
Preset from 100 mm upwards (replacing ORIGIN function)	●
HOLD	●
Data output	●

Specifications

Accuracy:	Factory specification
Resolution:	0,001 mm
Scales:	thimble and sleeve satin chrome finish
Measuring surfaces:	carbide-tipped, precision ground, micro-lap finish enamelled
Frame:	5-10 N
Measuring force:	5-10 N

Including box, key, 1 battery, ceramic gage block (293-966 only) from 25 mm and up to 50 mm measuring range with factory certificate



Optional accessories

- No. 05CZA662 Signal cable with data key (1 m)
- No. 05CZA663 Signal cable with data key (2 m)

Consumable Spares

- No. 938882 Battery SR-44



With ratchet (standard version)



Ratchet thimble



Friction thimble



The use of top quality materials provides outstanding resistance to oils and chemicals