

"DIGIMATIC" Micrometer

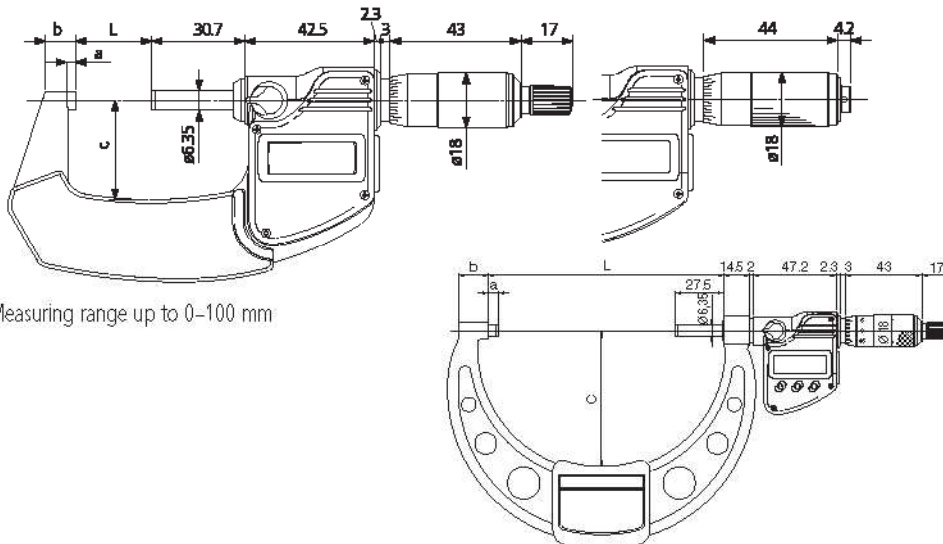
- Digital standard external screw type micrometer with IP-65 protection.

Series 293
with data output



| Measuring range mm | No. | Error limit* μm | L mm | a mm | b mm | c mm | Mass g |
|--|---------|---|-------|------|------|-------|--------|
| With ratchet (standard version) | | | | | | | |
| 0- 25 | 293-230 | 2 | - | 2,8 | 9,0 | 25,0 | 270 |
| 25- 50 | 293-231 | 2 | 25,0 | 2,8 | 9,8 | 32,0 | 330 |
| 50- 75 | 293-232 | 2 | 50,0 | 2,8 | 12,6 | 47,0 | 470 |
| 75-100 | 293-233 | 3 | 75,0 | 2,8 | 14,0 | 60,0 | 625 |
| 100-125 | 293-250 | 3 | 132,8 | 5,3 | 16,7 | 76,5 | 600 |
| 125-150 | 293-251 | 3 | 158,2 | 5,7 | 18,8 | 91,0 | 740 |
| 150-175 | 293-252 | 4 | 183,6 | 6,1 | 19,1 | 103,1 | 800 |
| 175-200 | 293-253 | 4 | 208,8 | 6,3 | 18,2 | 115,3 | 970 |
| 200-225 | 293-254 | 4 | 234,2 | 6,7 | 16,8 | 126,8 | 1100 |
| 225-250 | 293-255 | 5 | 258,0 | 5,5 | 18,0 | 139,8 | 1270 |
| 250-275 | 293-256 | 5 | 284,0 | 6,5 | 18,0 | 152,3 | 1340 |
| 275-300 | 293-257 | 5 | 309,0 | 6,5 | 18,0 | 166,0 | 1540 |
| With ratchet thimble | | | | | | | |
| 0- 25 | 293-234 | 2 | - | 2,8 | 9,0 | 25,0 | 270 |
| 25- 50 | 293-235 | 2 | 25,0 | 2,8 | 9,8 | 32,0 | 330 |
| 50- 75 | 293-236 | 2 | 50,0 | 2,8 | 12,6 | 47,0 | 470 |
| 75-100 | 293-237 | 3 | 75,0 | 2,8 | 14,0 | 60,0 | 625 |
| With friction thimble | | | | | | | |
| 0- 25 | 293-238 | 2 | - | 2,8 | 9,0 | 25,0 | 270 |
| Set | | Contents: | | | | | |
| 0- 50 | 293-966 | 293-230, 293-231 + individual gauge block 25 mm made of ceramics | | | | | |
| 0- 75 | 293-962 | 293-230, 293-231, 293-232 + gauge block 25 mm and 50 mm | | | | | |
| 0-100 | 293-963 | 293-230, 293-231, 293-232, 293-233 + gauge block 25 mm, 50 mm and 75 mm | | | | | |

* Accuracy exceeding the requirements of DIN 863



Measuring range up to 0-100 mm

Measuring range up to 100-300 mm

| Functions | Series 293 |
|--|------------|
| ORIGIN up to 100 mm | ● |
| ZERO/ABS | ● |
| Preset from 100 mm upwards (replacing ORIGIN function) | ● |
| HOLD | ● |
| Data output | ● |

Specifications

Accuracy: Factory specification
 Resolution: 0,001 mm
 Scales: thimble and sleeve satin chrome finish
 Measuring surfaces: carbide-tipped, precision ground, micro-lap finish enamelled
 Frame: enameled
 Measuring force: 5-10 N

Including box, key, 1 battery, ceramic gage block (293-966 only) from 25 mm and up to 50 mm measuring range with factory certificate



Optional accessories

- No. 05CZA662 Signal cable with data key (1 m)
- No. 05CZA663 Signal cable with data key (2 m)

Consumable Spares

- No. 938882 Battery SR-44



With ratchet (standard version)



Ratchet thimble



Friction thimble



The use of top quality materials provides outstanding resistance to oils and chemicals