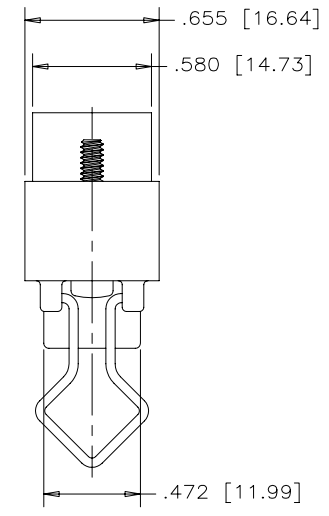
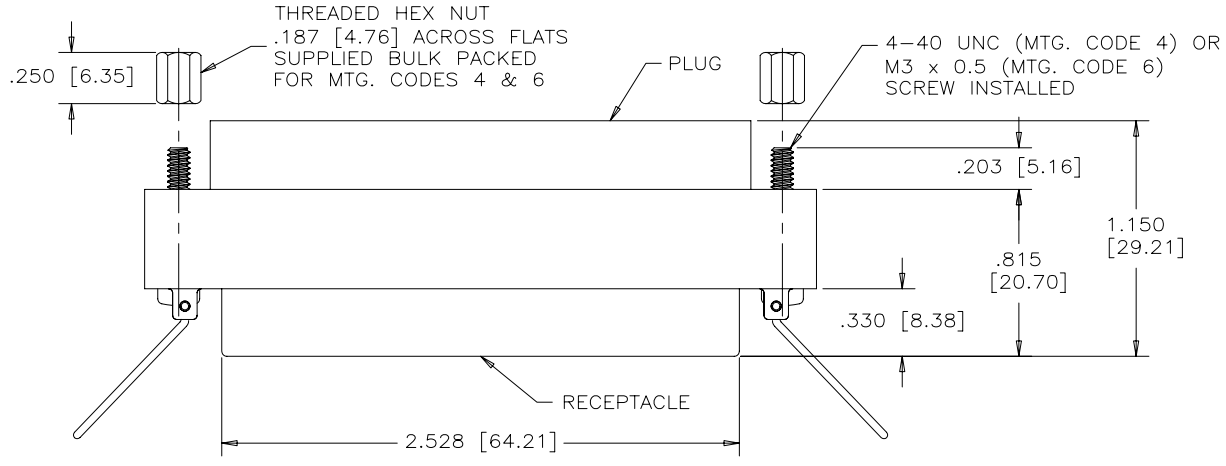
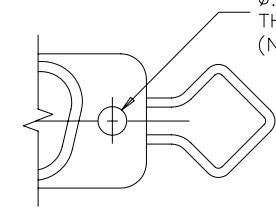
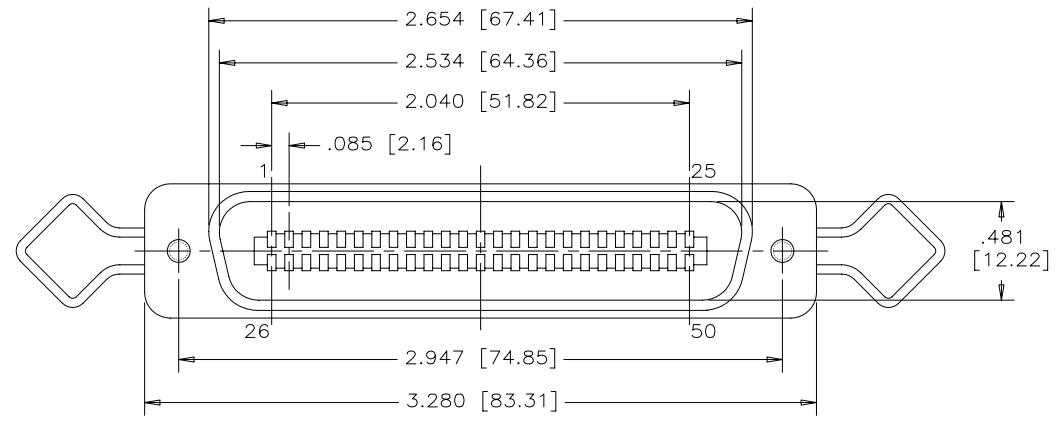


REVISIONS			
REV	ECN, ERN NO.	DATE	APPRD.
A	PRODUCT DRAWING (EAR 12927)	MAR07/06	K.L.

MOUNTING CODE 2
 ø.140 [3.56]
 THROUGH HOLES
 (NO HARDWARE SUPPLIED)



ORDERING CODE:

PART NUMBER F C E 5 7 - 0 9 5 0 0 - 4 1 0

SERIES _____

STYLE _____

09=ADAPTER

NUMBER OF CONTACTS _____

MODIFIER _____

0=STANDARD

MOUNTING OPTION _____

2=.140 [3.56] DIA MTG. HOLE (NO SCREWS OR HEX NUTS)

4=#4-40 UNC THREADED SCREW & HEX NUT

6=M3 x 0.5 THREADED SCREW & HEX NUT

MODIFIER
0=STANDARD

CAPACITANCE

- D=50 pF
- B=100 pF
- 0=180 pF
- F=330 pF
- 1=470 pF
- 3=820 pF
- 5=1000 pF
- 7=1200 pF
- E=2200 pF
- 9=5600 pF
- 8=47000 pF
- N=NO FILTERS

ELECTRICAL DATA:

CSA/UL RATING: 250 VDC, 1A MAX.

REFER TO AMPHENOL CATALOGUE FOR FILTER PERFORMANCE CHARACTERISTICS

MATERIALS:

ALL MATERIALS ARE RoHS COMPLIANT

SHELL:

ALUMINUM DIECAST, NICKEL PLATED.

CONTACTS:

PHOSPHOR BRONZE, 30µ" [0.76 MICRONS] MIN GOLD PLATED OVER 50µ" [1.27 MICRONS] MIN NICKEL ON CONTACT MATING AREAS.

INSERT:

HIGH STRENGTH THERMOPLASTIC POLYESTER FLAMMABILITY RATING UL 94V-0, BLACK.

DRAWN	A.CHENG	DATE	MAR07/06
DESIGNED			
CHECKED	K.LAMBIE	DATE	MAR07/06
I. E. APPRD.			
Q. A. APPRD.			
DWG. APPRD.			
ENG. REL. NO.			
REF.	EAR 12927		
DIMENSIONS ARE IN		CODE ID. NO.	
INCHES [mm]		03554	

Amphenol Canada Corp.

FCE57 FILTERED MICRO-RIBBON CONNECTOR, PLUG/RECEPTACLE ADAPTER, 50 SIZE, LATCH SPRINGS, RoHS COMPLIANT

ENG. REL. NO.	DWG	DRAWING NO.	REV.
	C	P-FCE57-09500-XX0	A
SCALE		WT.	SURF.
2/1			
SHEET		1 OF 1	

THIS DOCUMENT CONTAINS PROPRIETARY INFORMATION AND SUCH INFORMATION MAY NOT BE DISCLOSED TO OTHERS FOR ANY PURPOSE OR USED FOR MANUFACTURING PURPOSES WITHOUT WRITTEN PERMISSION FROM AMPHENOL CANADA CORP.