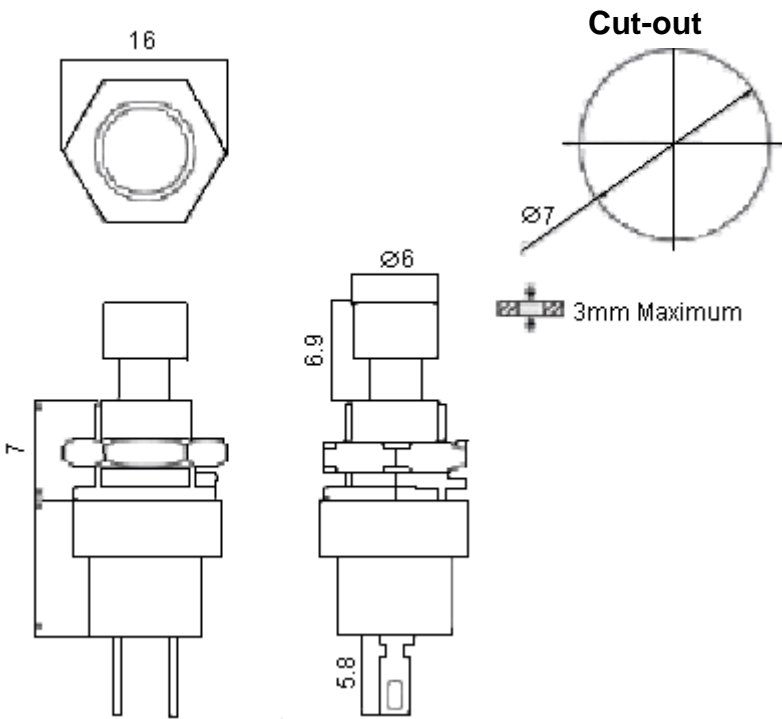


# Pushbutton Switches



## Features:

- Material : actuators and frames are nylon. Terminals are silver plated brass.



Dimensions : Millimetres

## Specifications:

Rating	: 3A, 125V ac 1.5A, 250V ac.
Maximum contact resistance	: 50mΩ.
Minimum insulation resistance	: 500V dc, 100MΩ.
Dielectric strength	: 1000V ac for 1 minute.



# Pushbutton Switches



## Scope

These requirements cover manually and mechanically operable special-use switches:

That is for use on direct current as well as on alternating current only.

For which the load ratings do not exceed 60 amperes at 250 volts or a lower potential and 30 amperes or 2 horsepower at 600 volts or a lower potential.

## Electrical Ratings

Item	Requirements
Rated voltage and current	(base on switch type)
Contact resistance (new state)	<100mΩ (5V, 1A dc)
Dielectric strength (new state)	>1000V >2500V (10mA between the contacts)
Insulation resistance (new state)	>100MΩ (500V dc between the open contacts)
Inrush current	50A/3msec (capacitive load)
Electrical life endurance	>6000 operations Volt drop : <100mV >10,000 operations
Temperature rise at the terminals (according to electrical life endurance)	<30°C - 6000 operations <45°C - 10,000 operations (ambient conditions : 25 ±2°C and 65 ±5%R.H)

## Mechanical Characteristics

Item	Requirements
Actuating force	(base on switch type)
Operating life endurance	>100,000 operations
Terminal strength	>2.5kg - solder terminal >6.8kg - plug-in/screw terminal
Solderability of terminals	Maximum 350°C/3sec (no pressure may be exerted on the terminals when soldering by hand)

## Environmental

Item	Requirements
Ambient temperature	-20°C to +65°C
Humidity	Maximum 85%
Salt spray test	No remarkable rust in metal parts (5% salt/35°C 24hrs)
Shock test	No mechanical defect or damage (100g/10msec X, Y, Z 3 times)
Vibration test	No mechanical defect damage (10-55Hz/1.5mm/X, Y, Z 2hrs)

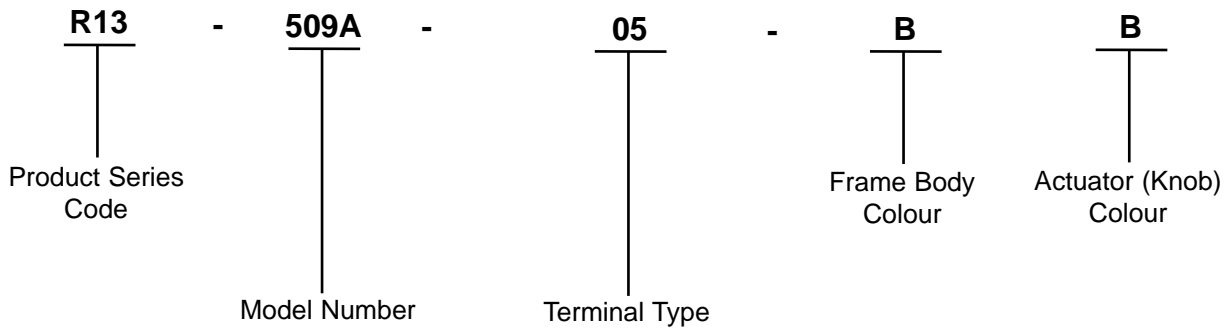
# Pushbutton Switches



## Part Number Table

Description	Part Number
Switches	R13-509A-05-BB
	R13-509B-05-BB
	R13-509A-05-BR
	R13-509B-05-BR

## Part Number Explanation:



**Frame Body Colour** : B = Black.  
**Actuator (Knob) Colour** : B = Black and R = Red.



# Pushbutton Switches



## Notes:

## International Sales Offices:



**AUSTRALIA - Farnell**  
Tel No: ++61 1300 361 005  
Fax No: ++61 1300 361 225



**FINLAND - Farnell**  
Tel No: ++ 358 9 560 7780  
Fax No: ++ 358 9 345 5411



**ITALY - Farnell**  
Tel No: ++ 39 02 93 995 200  
Fax No: ++ 39 02 93 995 300



**SPAIN - Farnell**  
Tel No: 901 20 20 80  
Fax No: 901 20 20 90



**AUSTRIA - Farnell**  
Tel No: ++ 43 662 2180 680  
Fax No: ++ 43 662 2180 670



**FRANCE - Farnell**  
Tel No: ++ 33 474 68 99 99  
Fax No: ++ 33 474 68 99 90



**MALAYSIA - Farnell-Newark**  
Tel No: ++ 60 3 7873 8000  
Fax No: ++ 60 3 7873 7000



**SWEDEN - Farnell**  
Tel No: ++ 46 8 730 50 00  
Fax No: ++ 46 8 83 52 62



**BELGIUM - Farnell**  
Tel No: ++ 32 3 475 2810  
Fax No: ++ 32 3 227 3648



**GERMANY - Farnell**  
Tel No: ++ 49 89 61 39 39 39  
Fax No: ++ 49 89 613 59 01



**NETHERLANDS - Farnell**  
Tel No: ++ 31 30 241 7373  
Fax No: ++ 31 30 241 7333



**SWITZERLAND - Farnell**  
Tel No: ++ 44 204 64 64  
Fax No: ++ 44 204 64 54



**BRAZIL - Farnell-Newark**  
Tel No: ++ 55 11 4066 9400  
Fax No: ++ 55 11 4066 9410



**HONG KONG - Farnell-Newark**  
Tel No: ++ 852 2268 9888  
Fax No: ++ 852 2268 9899



**NEW ZEALAND - Farnell**  
Tel No: 0800 90 80 80  
Fax No: 0800 90 80 81



**UK - Farnell**  
Tel No: ++ 44 8701 200 200  
Fax No: ++ 44 8701 200 210



**CHINA - Farnell-Newark**  
Tel No: ++86 10 6238 5152  
Fax No: ++86 10 6238 5022



**HUNGARY - Farnell**  
Tel No: ++ 44 870 1200 208  
Fax No: ++ 44 870 1200 209



**NORWAY - Farnell**  
Tel No: 800 146 70  
Fax No: 800 146 76



**UK - CPC**  
++ 44 8701 202 530  
++ 44 8701 202 531



**CZECH REPUBLIC - Farnell**  
Tel No: ++ 44 870 1200 208  
Fax No: ++ 44 870 1200 209



**INDIA - Farnell**  
Tel No: ++ 44 870 1200 208  
Fax No: ++ 44 870 1200 209



**PORTUGAL - Farnell**  
Tel No: ++ 34 93 475 8804  
Fax No: ++ 34 93 474 5288



**USA - Newark**  
Tel No: 800 463 9275



**DENMARK - Farnell**  
Tel No: ++ 45 44 53 66 44  
Fax No: ++ 45 44 53 66 06



**IRELAND - Farnell**  
Tel No: ++ 353 1 830 9277  
Fax No: ++ 353 1 830 9016



**RUSSIA - Farnell**  
Tel No: ++ 44 870 1200 208  
Fax No: ++ 44 870 1200 209



**EXPORT - Farnell**  
Tel No: ++ 44 8701 200 208  
Fax No: ++ 44 8701 200 209

For enquiries from all other markets



**ESTONIA - Farnell**  
Tel No: ++ 358 9 560 7780  
Fax No: ++ 358 9 345 5411



**ISRAEL - Farnell**  
Tel No: ++ 180 937 0015  
Fax No: ++ 180 937 0014



**SINGAPORE - Farnell-Newark**  
Tel No: ++ 65 6788 0200  
Fax No: ++ 65 6788 0300

<http://www.farnell.com>  
<http://www.newark.com>  
<http://www.cpc.co.uk>

**Disclaimer** This data sheet and its contents (the "Information") belong to the Premier Farnell Group (the "Group") or are licensed to it. No licence is granted for the use of it other than for information purposes in connection with the products to which it relates. No licence of any intellectual property rights is granted. The Information is subject to change without notice and replaces all data sheets previously supplied. The Information supplied is believed to be accurate but the Group assumes no responsibility for its accuracy or completeness, any error in or omission from it or for any use made of it. Users of this data sheet should check for themselves the Information and the suitability of the products for their purpose and not make any assumptions based on information included or omitted. Liability for loss or damage resulting from any reliance on the Information or use of it (including liability resulting from negligence or where the Group was aware of the possibility of such loss or damage arising) is excluded. This will not operate to limit or restrict the Group's liability for death or personal injury resulting from its negligence. SPC Multicomp is the registered trademark of the Group. © Premier Farnell plc 2007.

