



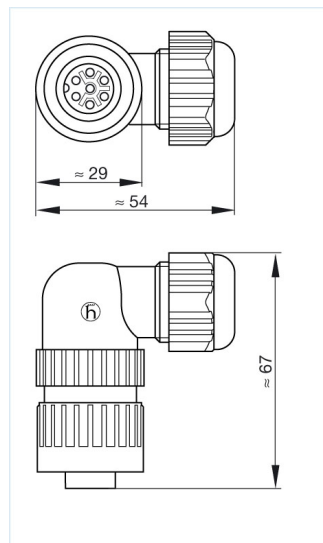
CA 6 W LD

Industrial Connectors: Circular connectors CA series: Cable socket and panel-mounted socket

Product description

Description	Angled cable socket, integrated strain relief
Type	CA 6 W LD
Order No.	934 131-100
Number of contacts	6 + PE
Cable gland	M 22x2
Cable diameter	6 mm to 12 mm
Conductor size	max. 0.75 mm ²
Housing Color	black

Drawing



Technical data

Pin dimensions	1.5 mm
Rated voltage	250 V AC/DC
Rated current	10 A AC/DC
Contact resistance	≤ 5 mOhm
Type of termination	solder

Material

Contact surface material	Ag
Contact bearer material	PA 66-GF 25
Housing material	PA 66-GF 25
O-Ring	NBR

Environmental conditions

Protection class (IEC 60529)	IP 67
Pollution severity	3
Temperature range	-40 °C to +90 °C

Inflammability class

Flammability, UL standard	94 V-0
---------------------------	--------

Approvals

UL	UL
VDE	VDE
Packaging unit	
Packaging unit	100 pieces
Scope of delivery and accessories	
Scope of delivery	1 cable socket, not assembled, assembly instructions
Accessories to order separately	can be plugged into CA 6 LS, CA 6 GS; cap CA 00 SD 3, order no. 831 532-400