

P	2	3	4	5	6	7	8	9	10	11	12	13
U	5.08	10.16	15.24	20.32	25.40	30.48	35.56	40.64	45.72	50.80	55.88	60.96
V	10.16	15.24	20.32	25.40	30.48	35.56	40.64	45.72	50.80	55.88	60.96	66.04
P	14	15	16	17	18	19	20	21	22	23	24	25
U	66.04	71.12	76.20	81.28	86.36	91.44	96.52	101.6	106.68	111.76	116.84	121.92
V	71.12	76.20	81.28	86.36	91.44	96.52	101.6	106.68	111.76	116.84	121.92	127.00

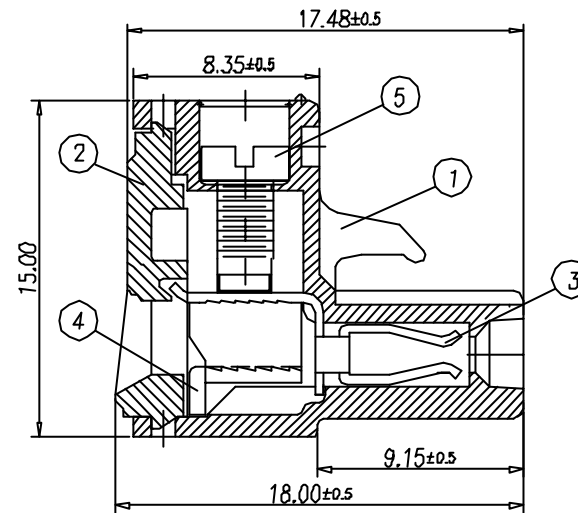
Tolerances for PITCH ERROR



NOTES:

- Rating: 300V 15A(IEC 250V 12A)
PITCH: 5.08mm
- Insulation Withstands Voltage:
AC 1500V/MIN
- Insulation Resistance:
500MΩ or more at DC500V
- Using Temperature Range:
-40°C~+105°C
- Screw Torque Value: 5kg-cm
- Suitable Electric Wire:
AWG 28~12(IEC 4.0~5.6mm)
~~24~12(IEC 2.5mm²)~~
- Undimensioned Tolerances:

□	∩	∇	0.05/10
⊥	//	≡	0.2/10
PITCH ERROR			0.02/10
UNDIMENSIONED TOLERANCES			±0.3



5	SCREW	S000003400	P	STEEL	M2.5x0.45
4	WIRE CAGE	X000000800	P	STEEL	Zn Plated
3	GLAMP	0120B00400	P	BRONZE	Tin Plated
2	SIDE COVER	0121L00000	1	PA66(V0)	GREEN
1	HOUSING	0121A00000	1	PA66(V0)	GREEN
ITEM	NAME OF PART	NO. OF PART	Q'TY	MATERIAL	NOTES
DWG.	ZHENG	DATE	98,11,20	UNITS	MM SHEET/OF 1/1
CHK.		DATE		SCALE	4:1 (:)
APP.		DATE			



△	工程變更	XJIANG	01.04.06
△	工程變更	梁紅英	01.03.19
REV.	CONTENT	CHK.	DATE



NAME	21.950M
DWG NO.	