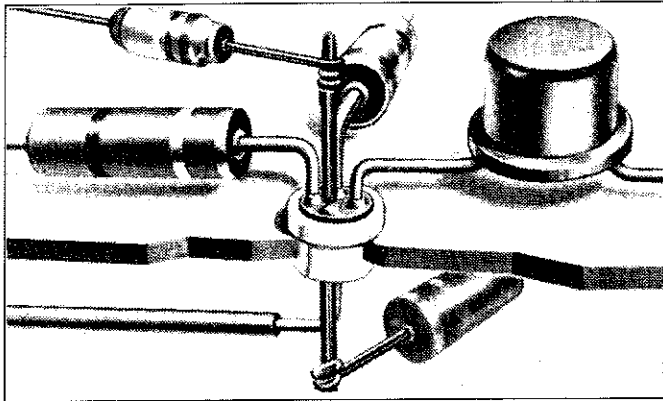


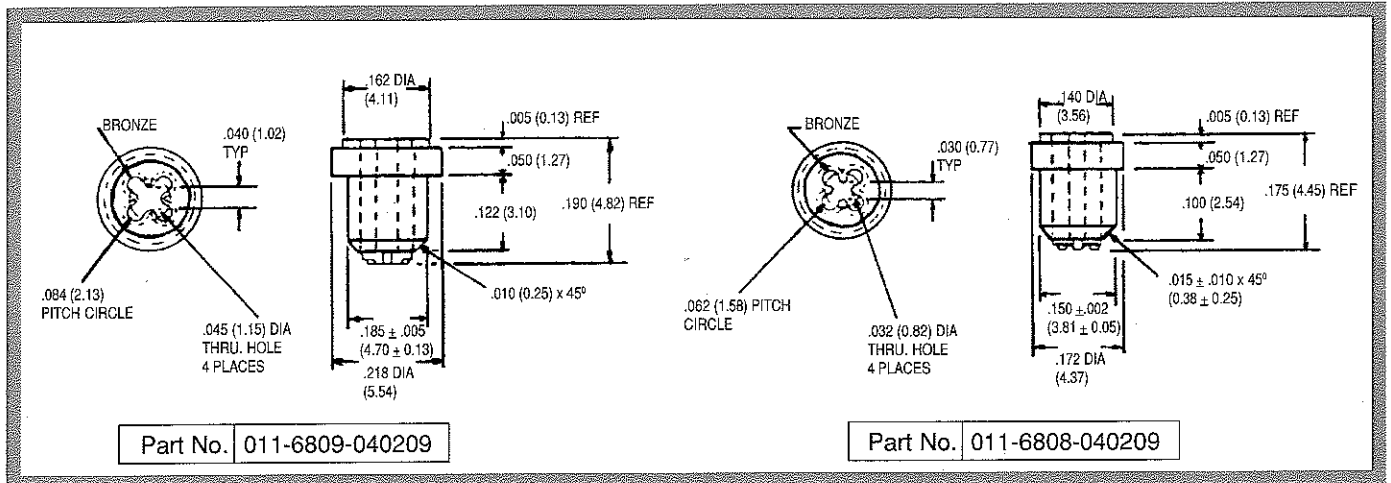
CLOVERLEAF® FEED-THROUGHS *Press-Fit Terminals*

The Press-Fit Cloverleaf Receptacle provides economical, yet uniformly perfect solder joints by means of dip soldering with metal chassis. The unique Cloverleaf configuration permits insertion of four or more wire leads.

The reliability of dip solder joints made with the Cloverleaf receptacle, combined with the inherent dependability and repairability of metal chassis construction makes it ideal for use in high density, complex electronic instrumentation packaging, while the low cost of the terminal and its installation provides a new and better assembly technique for premium quality radio and television manufacturing.



Specification	011-6808-040209	011-6809-040209
Insertion Tool No.	B-9-4	B-9-5
Chassis Thickness	.040 - .060 1.02 - 1.54	.040 - .060 1.02 - 1.54
Chassis Hole Dia.	.136 ± .002 3.45 ± 0.05	.172 ± .002 4.4 ± 0.05
Chassis Hole Countersink Dia. (60°)	.160 + .010 - .000 4.06 + 0.03 - 0.00	.195 + .010 - .000 5.00 + 0.03 - 0.00
Insert Material & Finish	Bronze P20 (Gold)	
Suitable for Wire Lead	23 SWG or smaller 0.6	20 SWG or smaller 0.9
Approx. Capacitance	0.75 mmf	0.90 mmf
Voltage Rating Norm. (RMS)	500V	500V
Voltage Rating Flash-over (RMS)	2000V	2000V



SEMI-ASSEMBLED FEED-THROUGHS *Insulated Terminals*

This style of terminal is positioned in the unchamfered chassis hole with the terminal pin partly inserted in the insulator. The pin is then pressed fully home expanding the insulator and locking the terminal in position.

Fig.	Part No.	Tool No.	Approx. Capac. mmf	Peak Voltage Rating	Chassis Hole Size	Recommended Chassis Thickness	A	B	B1	B2	C	D	E	E1	F	G
25	001-1407-041609	R9	0.75	1000	.091-.095 2.32-2.42	.030-.056 0.076-1.42	.460 11.69	.120 3.05	.020 0.51	.311 7.90	.055 1.40	.092 2.34	.040 1.00	.093 2.36	.124 3.15	.090 2.29
25	011-1409-041609	R8	1.00	2000	.154-.158 3.91-4.02	.056-.115 0.076-2.92	.691 17.55	.125 3.18	.030 0.076	.443 11.25	.093 2.36	.155 3.94	.075 1.91	.125 3.18	.188 4.78	.153 3.89

