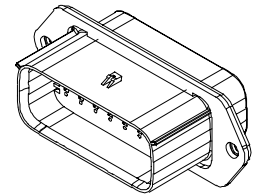


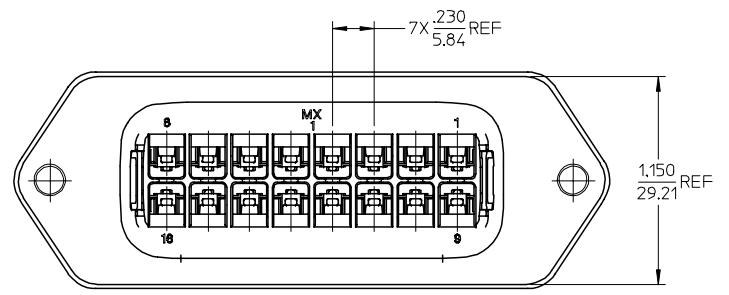
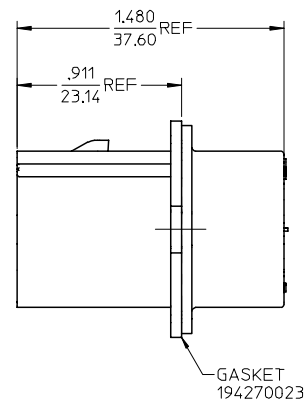
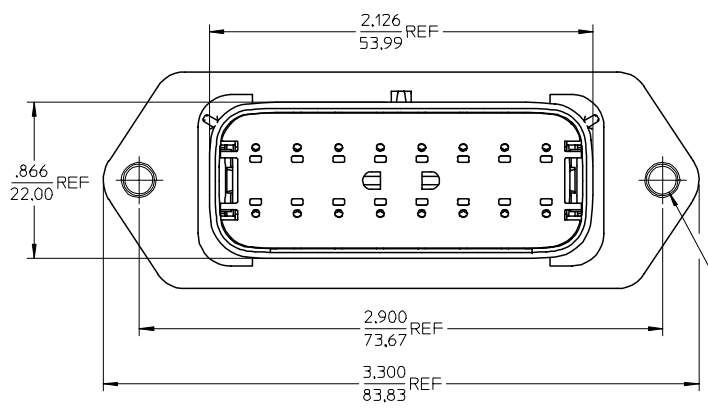
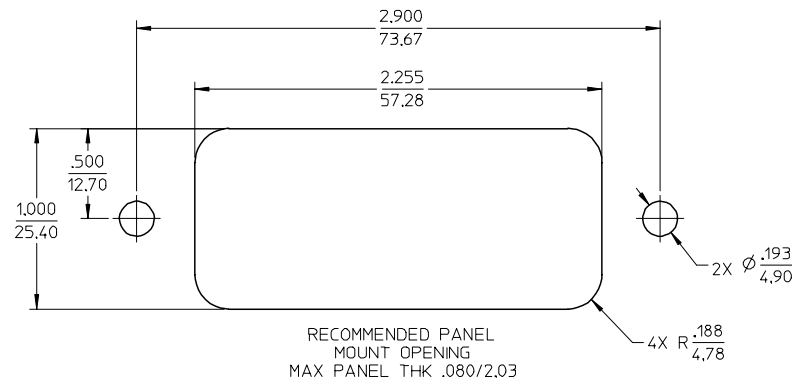
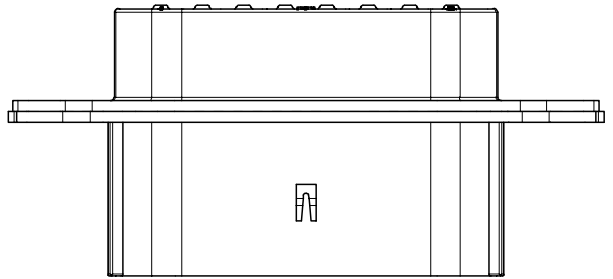
12 11 10 9 8 7 6 5 4 3 2 19429

J
I
H
G
F
E
D
C
B
A

J
I
H
G
F
E
D
C
B
A



ASSEMBLED VIEW
SCALE 1:1



2X ϕ .154 X .030 X 45° CHAM
3.91 REF

- NOTES:
1. ASSEMBLY BULK PACKAGED PER PK-19429-001.
 2. USE CONNECTOR WITH MALE CRIMP TERMINAL: SERIES 19417.
 3. PLUG PANEL MOUNT ASSEMBLY DESIGNED TO MATE TO 19418 SERIES RECEPTACLE ASSEMBLIES.
4. HOLE IS DESIGNED TO ACCEPT #6 FASTENER.

194290048	YES
194290032	NO
MATERIAL NUMBER	GASKET

EC NO: ETC2005-0118 DRWN: BRUPERT 2005/01/20 CHKD: JPAWLICK 2005/01/20 APPR: RDEROSS 2005/01/20	QUALITY SYMBOLS ▽-0 ◻-0	GENERAL TOLERANCES (UNLESS SPECIFIED)		SCALE 2:1	DESIGN UNITS INCH	THIRD ANGLE PROJECTION	REVISE ON CAD ONLY
		4 PLACES ± --- ± --- 3 PLACES ± --- ± .015 2 PLACES ± 0.38 ± --- 1 PLACE ± --- ± ---	DIMENSION STYLE IN/MM	DRAWN BY DATE DMYRICK 04/07/21	CHECKED BY DATE JPAWLICK 04/07/21	TITLE 16 WAY PLUG PANEL MOUNT ASSEMBLY W/O BOSS 22-14 AWG	
A	REV	DRAFT WHERE APPLICABLE MUST REMAIN WITHIN DIMENSIONS		APPROVED BY DATE RDEROSS 04/07/21	MATERIAL NO. SEE CHART	DOCUMENT NO. SD-19429-016	SHEET NO. 1 OF 1
		THIS DRAWING CONTAINS INFORMATION THAT IS PROPRIETARY TO MOLEX INCORPORATED AND SHOULD NOT BE USED WITHOUT WRITTEN PERMISSION					

11 10 9 8 7 6 5 4 3 2 1