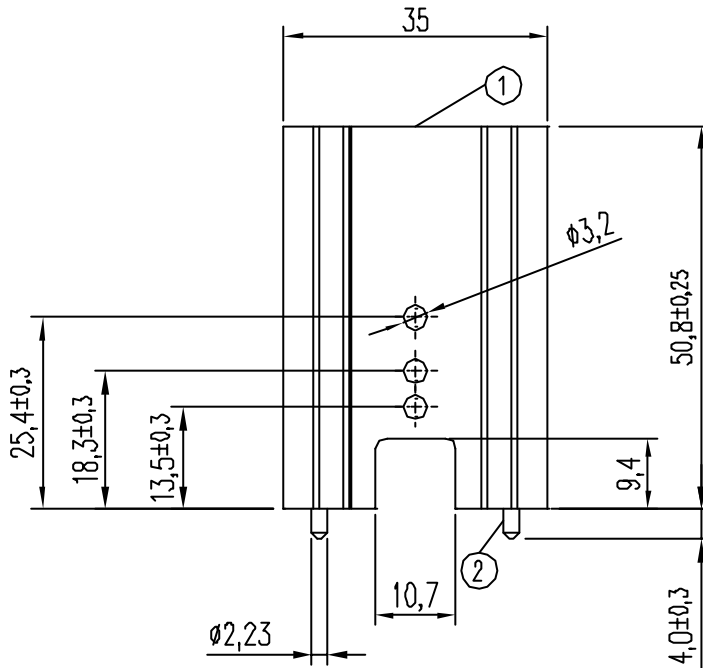
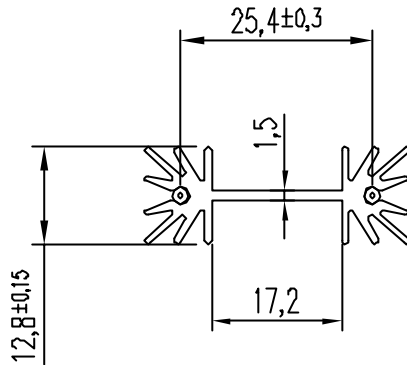



Pos.	Description	Q.ty	P/N
2	PIN-BRASS-D.2,23x15-TIN-BM012 B	2	406072G
1	HTSK-AL-0S097-50-B-ML97 STD	1	405124



Note:		Scale				
ML73(S172/50.8 with pins)		1:1				
THIS DOCUMENT CONTAINS Aavid THERMALLOY'S INTELLECTUAL PROPERTY WHICH IS SUPPLIED IN CONFIDENCE; IT MUST NOT BE USED FOR ANY PURPOSE OTHER THAN WHICH IT IS SUPPLIED; IT MUST NOT BE REPRODUCED WITHOUT WRITTEN PERMISSION FROM THE OWNERS		©				
		®				
 AAVID THERMALLOY EUROPE www.aavidthermalloy.com Via XXV Aprile, 82 40067 Cadriano - Bologna ITALY Tel. +39 051 784011 Fax +39 051 784090 Cheney Manor SWINDON WILTS SN11 8ZN UK Tel. +44 1793 401400 Fax +44 1793 618998 COMPANY WITH QUALITY SYSTEM CERTIFIED BY LROA ISO 9001:2000	1	B	13Jan05	RoHS compliant pins used; ECF 325 B0 refers	AS	
		A	30Jul02	ORIGINAL (was L073D5A)		
Formak	44	REV	Date	Revision description	By	
Mat. n.	MATERIAL Aluminium EN AW-6060			DRAWING n.	BC090	
Factor	GENERAL TOLERANCES Extrusion UNI38179			Vis. n.	405126G	
Perim.	Machining UNI2768			Drawn	M. Calanchi	
Arco	FINISH BLACK ANODIZATION			Check		
Weight				Description: HTSK-AL-DS172-50,8- -PINS-B-ML73 6100 STD CONF 500-BC090 B		