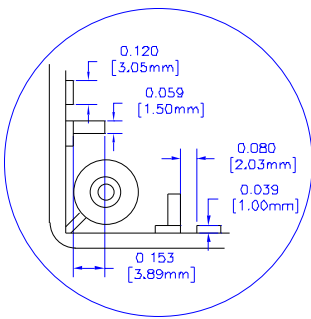
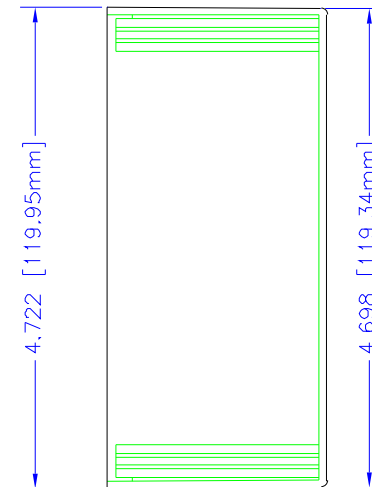
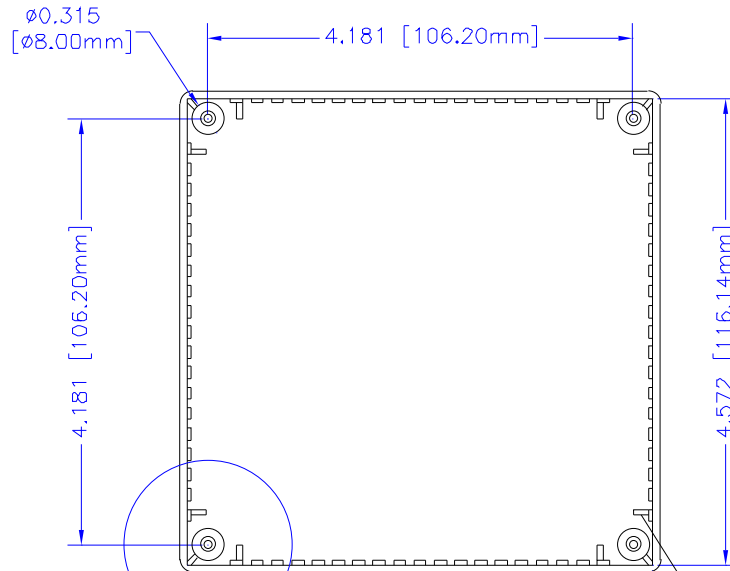
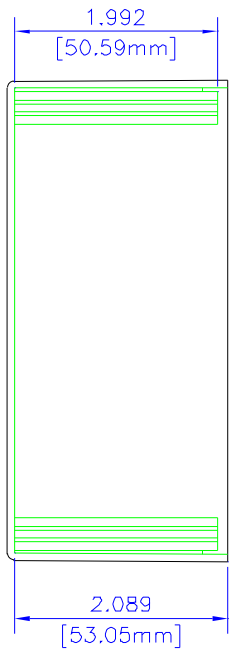
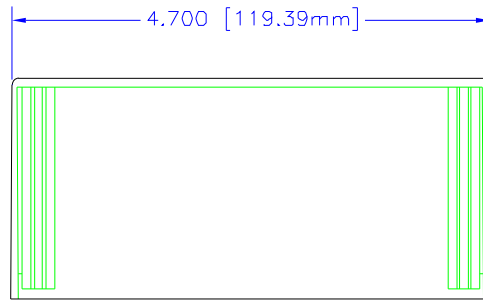


# NOTES

- MATERIAL** (ABS) FLAME RETARDANT UL94 V0 MATERIAL WITH BRASS INSERTS IN CORNER POSTS.  
(STYRENE) IS NON-FLAME RETARDANT WITHOUT BRASS INSERTS.
- PARTS** (ABS) VERSION MACHINE SCREWS M3-0.5 x 10mm.  
REPLACEMENT PN 1591MS100 (100 / BAG). (STYRENE) VERSION SELF TAPPING #4 x 0.5".  
REPLACEMENT PN 1599TS100BK (100 / BAG).
- COLORS** (ABS) BLACK, GRAY, BLUE, & BEIGE, (STYRENE) BLACK ONLY.



THE HEIGHT OF THIS TAB IS 0.08" (2MM)

BOX

UNLESS OTHERWISE SPECIFIED  
DIMENSIONS ARE IN INCHES  
XX +/- .1  
XXX +/- .06  
GUTS +/- .015  
ANGLES +/- .009  
+/- .5 DEG

NOTICE  
HAMMOND OWNS PROPRIETARY RIGHTS TO THE MATERIAL OF THIS DRAWING. IT IS INTENDED TO BE USED AS A REFERENCE FOR ENGINEERING INFORMATION ONLY. THIS INFORMATION MAY NOT BE USED TO MANUFACTURE PRODUCT WITHOUT WRITTEN PERMISSION FROM HAMMOND MANUFACTURING.



**HAMMOND  
MANUFACTURING**

WEB: [WWW.HAMMONDMFG.COM](http://WWW.HAMMONDMFG.COM)

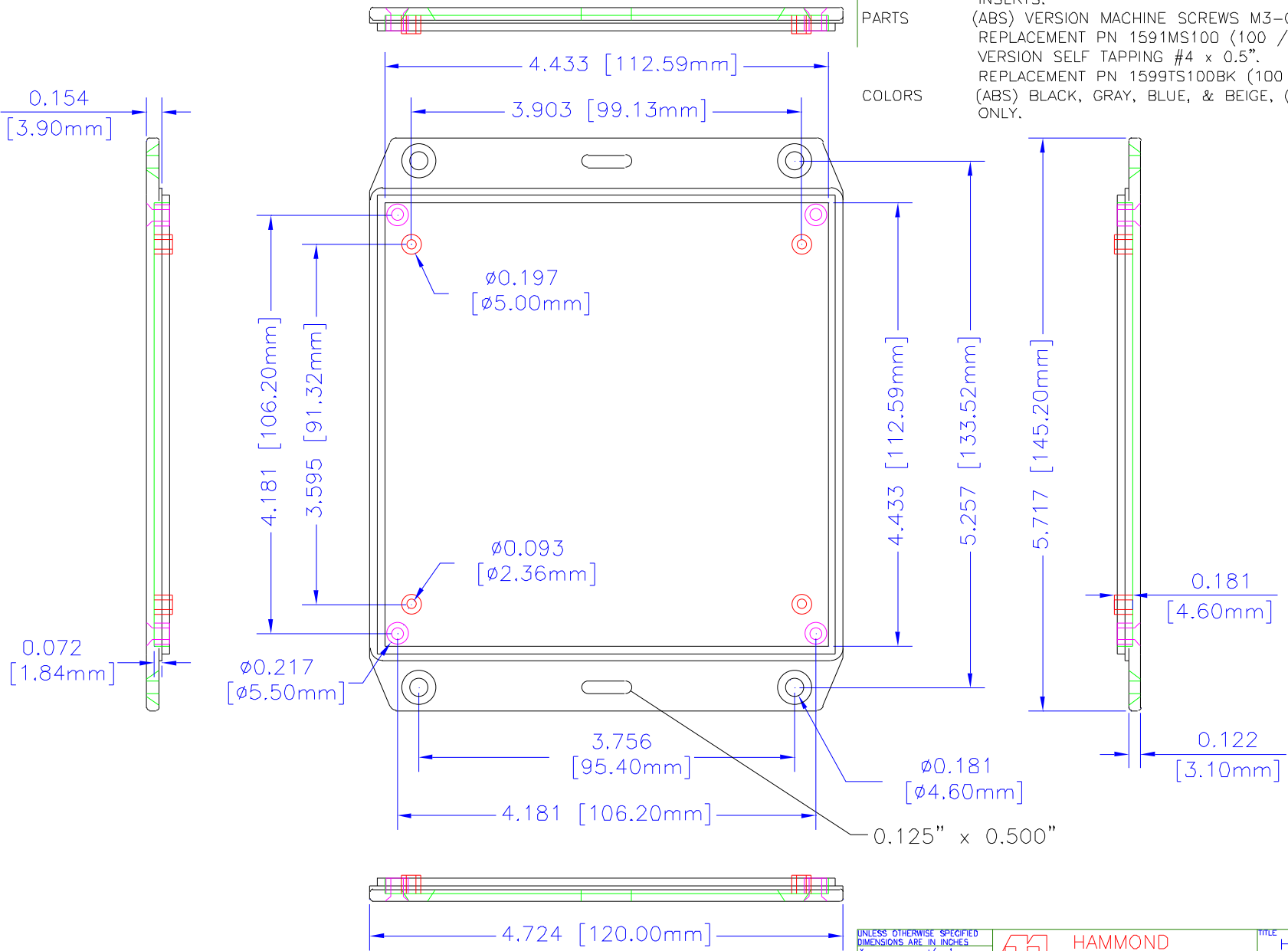
TITLE		HAMMOND 1591 SERIES PLASTIC ENCLOSURE	
DRAWN BY	MJM	DATE	01/25/01
SCALE		PAGE	1 OF 2
PART NUMBER	1591UFL		

# NOTES

**MATERIAL** (ABS) FLAME RETARDANT UL94 VO MATERIAL WITH BRASS INSERTS IN CORNER POSTS.  
(STYRENE) IS NON-FLAME RETARDANT WITHOUT BRASS INSERTS.

**PARTS** (ABS) VERSION MACHINE SCREWS M3-0.5 x 10mm. REPLACEMENT PN 1591MS100 (100 / BAG). (STYRENE) VERSION SELF TAPPING #4 x 0.5". REPLACEMENT PN 1599TS100BK (100 / BAG).

**COLORS** (ABS) BLACK, GRAY, BLUE, & BEIGE, (STYRENE) BLACK ONLY.



LID

UNLESS OTHERWISE SPECIFIED DIMENSIONS ARE IN INCHES  
 X +/- .1  
 XX +/- .06  
 XXX +/- .015  
 SURF +/- .009  
 ANGLES +/- .5 DEG

NOTICE  
 HAMMOND CLAIMS PROPRIETARY RIGHTS TO THE MATERIAL ON THIS DRAWING. IT IS INTENDED TO BE USED AS A REFERENCE FOR ENGINEERING INFORMATION ONLY. THIS INFORMATION MAY NOT BE USED TO MANUFACTURE PRODUCT WITHOUT WRITTEN PERMISSION FROM HAMMOND MANUFACTURING.



**HAMMOND MANUFACTURING**

WEB: [WWW.HAMMONDMFG.COM](http://WWW.HAMMONDMFG.COM)

TITLE		HAMMOND 1591 SERIES PLASTIC ENCLOSURE	
DRAWN BY	MJM	DATE	01/25/01
SCALE		PAGE	2 OF 2
PART NUMBER	1591UFL		