

Please note that the data given here has been taken from the online catalog. For comprehensive information and data, please refer to the user documentation at <http://www.download.phoenixcontact.com>. The General Terms and Conditions of Use apply to Internet downloads.

## ► Extract from the online catalog



D-SUB connector, 9-pin, with two cable entries, bus system: Profibus with 12 Mbit/s (terminating resistor can be connected via a slide switch), pin assignment: 3, 8, version: male

The illustration shows the product versions SUBCON-PLUS-PROFIB .. and SUBCON-PLUS-PROFIB/PG/...

Order No.	2744348
Ord designation	SUBCON-PLUS-PROFIB
EAN	4017918172947
Pack	1 Pcs.
Customs tariff	85369010
Catalog page information	Page 125 (AX-2005)

## ► Technical data

**General data**

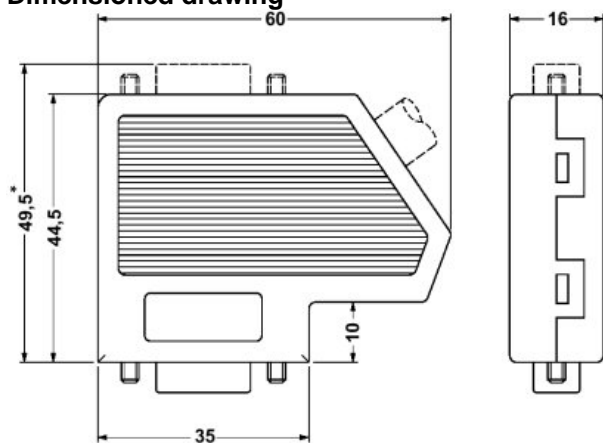
Nominal voltage $U_N$	60 V AC/DC
Nominal current $I_N$	1 A
Bus system	PROFIBUS up to 12 Mbit/s (terminating resistor can be connected via a slide switch)
Insertion/withdrawal cycles	> 200
Max. cable diameter	8.4 mm
Min. cable diameter	7.6 mm
SUBCON fixing screws	4-40 UNC
Tightening torque	0.4 Nm
Ambient temperature (operation)	-20 °C ... 70 °C
Housing material	ABS, metal-plated
Pin assignment	3, 6, 5, 8

**Connection data**

Connection	D-SUB connection
Number of positions	9
Type of connection	D-SUB male connector
Connection	PCB connection
Type of connection	Spring-cage connection
Conductor cross section, rigid min.	0.12 mm <sup>2</sup>
Conductor cross section, rigid max.	0.5 mm <sup>2</sup>
Conductor cross section AWG/kcmil min.	28
Conductor cross section AWG/kcmil max	20
Stripping length	5 mm
Tightening torque	0.4 Nm

► Drawings

Dimensioned drawing



---

## ► Accessories

---

Item	Designation	Description
<b>Tools</b>		
2744623	PSM-STRIP-FC/PROFIB	Quick stripping tool for Profibus cable, type Fast Connect
1204384	QUICK WIREFOX 6	Stripping tool for cables with PVC insulation, stripping range: 0.08 to 6 mm <sup>2</sup> , wire cutting up to 6 mm <sup>2</sup> flexible or 4 mm <sup>2</sup> rigid

---

► **Address**

---

PHOENIX CONTACT GmbH & Co. KG  
Flachsmarktstr. 8  
32825 Blomberg  
Germany  
Phone +49 5235 3 00  
Fax +49 5235 3 41200  
<http://www.phoenixcontact.com>  
Phoenix Contact  
Technical modifications reserved;