

Please note that the data given here has been taken from the online catalog. For comprehensive information and data, please refer to the user documentation at <http://www.download.phoenixcontact.com>. The General Terms and Conditions of Use apply to Internet downloads.

► Extract from the online catalog



PROFIBUS connector up to 12 Mbit/s, angled version, integrated terminating resistor that can be connected externally, with PG-SUB-D female connector for the connection of a programming device, connection system: Spring-cage connection

SUBCON-PLUS-PROFIB

Order No.

2744403

Ord designation

SUBCON-PLUS-PROFIB/PG

EAN

4017918819453

Pack

1 Pcs.

Customs tariff

85366990

Catalog page information

Page 405 (IF-2002)

► Technical data

General data

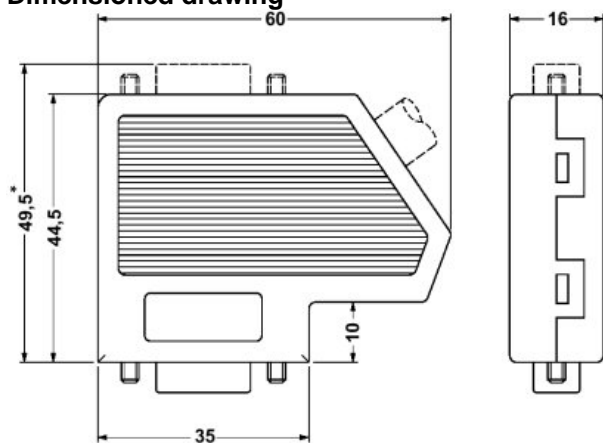
Nominal voltage U_N	60 V AC/DC
Nominal current I_N	1 A
Bus system	PROFIBUS up to 12 Mbit/s (terminating resistor can be connected via a slide switch)
Insertion/withdrawal cycles	> 200
Max. cable diameter	8.4 mm
Min. cable diameter	7.6 mm
SUBCON fixing screws	4-40 UNC
Tightening torque	0.4 Nm
Ambient temperature (operation)	-20 °C ... 70 °C
Housing material	ABS, metal-plated
Pin assignment	3, 6, 5, 8

Connection data

Connection	D-SUB connection
Number of positions	9
Type of connection	D-SUB male connector
Connection	PCB connection
Type of connection	Spring-cage connection
Conductor cross section, rigid min.	0.12 mm ²
Conductor cross section, rigid max.	0.5 mm ²
Conductor cross section AWG/kcmil min.	28
Conductor cross section AWG/kcmil max	20
Stripping length	5 mm
Tightening torque	0.4 Nm
Connection	Programming connection
Number of positions	9
Type of connection	D-SUB female connector

▶ Drawings

Dimensioned drawing



► Accessories

Item	Designation	Description
Tools		
2744623	PSM-STRIP-FC/PROFIB	Quick stripping tool for Profibus cable, type Fast Connect
1204384	QUICK WIREFOX 6	Stripping tool for cables with PVC insulation, stripping range: 0.08 to 6 mm ² , wire cutting up to 6 mm ² flexible or 4 mm ² rigid

► Address

PHOENIX CONTACT GmbH & Co. KG
Flachsmarktstr. 8
32825 Blomberg
Germany
Phone +49 5235 3 00
Fax +49 5235 3 41200
<http://www.phoenixcontact.com>
Phoenix Contact
Technical modifications reserved;