

SHT. 1 OF 1				MRI-SDA-7720S * #			
MODIFICATION RECORD INDEX							
ERO	ECO	ISS.	DATE	INIT.	SHTS. AFFECTED	DESCRIPTION OF MOD.	
	102	E	15.3.83	AC		REVISED AND REDRAWN	
700		F	14.9.83	GH		-#NHH VERSION & SHT.10 ADDED	
	330	G	1.8.84	MC		INTRODUCED (P914) PLATING	
	493	H	1.5.85	MC			
	614	J	3.1.86	MC			
	834	K	18.12.86	GH	I	REDRAWN ON CAD	
1262		L	28.1.87	MC	I & 3	A-7720S-C6J(56 I) RELEASED	
	889	M	29.4.87	NC	I, 2 & 3	18-28 CTS. NON-STANDARD	
ECR/ECN	ISS.	DATE	INIT.	SHTS. AFFECTED	DESCRIPTION OF MOD.		
E1018	N	91.6.14	PMMN	I	CORRECTIONS TO DIM C		
E50345	P	95.03.10	PG	I & 4	ADDED SHEET 4		
E60296	R	96.01.15	MOR	I & 4	ADDED PART NO.		
E2001-463	S	00.11.01	MF	I,2,3,4	CHANGED LAB OFFICE IN WM		
MOLEX EUROPE				REVISE ONLY ON CAD SYSTEM			
THIS DRAWING CONTAINS INFORMATION THAT IS PROPRIETARY TO MOLEX INC. & SHOULD NOT BE USED WITHOUT WRITTEN PERMISSION.				THIS DRAWING CONTAINS INFORMATION THAT IS PROPRIETARY TO MOLEX INC. & SHOULD NOT BE USED WITHOUT WRITTEN PERMISSION.			
CADCAM FILENAME				ISSUE			
SA7720SX1.DGN				S			

**LEVEL CHART**

1	17	33	49
2	18	34	50
3	19	35	51 LEVEL INDEX
4	20	36	52 RESERVED
5	21	37	53 RESERVED
6	22	38	54 RESERVED
7	23	39	55 DIMENSIONS
8	24	40	56 TABLES/CHARTS
9	25	41	57 REVISION TEXT & MRI
10	26	42	58 NOTES/TEXT
11 HOUSING DETAILS	27	43	59
12 RIB HATCHING	28	44	60 RESERVED
	29	45	61
	30	46	62
	31	47	63
	32	48	

PART NO.	ENG. NO.	CCTS.	TERMINAL	I.D. STRIPE	PLTG.
22-50-3025	A-7720S-C 2H	2	40125-H(P902)	GREEN	
↑ 3035	↑ C 3H	3	↑	↑	
3045	C 4H	4			
3055	C 5H	5			
3065	C 6H	6			
3075	C 7H	7			
3085	C 8H	8			
3095	C 9H	9			
3105	C10H	10			
3115	C11H	11			
3125	C12H	12			
3135	C13H	13			
3145	C14H	14			
3155	C15H	15			
3165	C16H	16			
3175	C17H	17			
3185	C18H	18			
3195	C19H	19			
3205	C20H	20			
3215	C21H	21			
3225	C22H	22			
3235	C23H	23			
3245	C24H	24			
3255	C25H	25			
3265	C26H	26			
↓ 3275	↓ C27H	27	↓	↓	
22-50-3285	A-7720S-C28H	28	40125-H(P902)	GREEN	

HOT T / IN D / P  
(1-2.54MM) / .000040 - .000100

NOTE:  
1. 18 - 28 CIRCUITS ARE NON-STANDARD.

PRE-RELEASE  
REFERENCE  
USE ONLY

FOR PREVIOUS DRAWING ISSUES SEE MRI.

LEAD TIME CONVERSION  
E2004-0132  
E2004-0132  
E2004-0132  
E2004-0132

REVISIONS

LTR

THIRD ANGLE PROJECTION  DIMENSIONS SHOWN ( METRIC ) INCH UNLESS OTHERWISE SPECIFIED TOLERANCES IN MILLIMETERS

DRAWN BY MCC

CHECKED BY

APPROVED BY

SCALE

DESIGN DIMENSION  (H) (PRIMARY)  (N) (SECONDARY)

EQUIVALENT DIMENSION  (H) (PRIMARY)  (N) (SECONDARY)

REVISE ONLY ON CAD SYSTEM

CAD/CAM FILE NAME: SDA7720S.DGN

THIS DRAWING CONTAINS INFORMATION THAT IS PROPRIETARY TO MOLEX INC. & SHOULD NOT BE USED WITHOUT WRITTEN PERMISSION

TITLE: INSULATION DISPLACEMENT CONNECTOR (2.54)/.100 CENTRES

MOLEX EUROPE

SHEET NO. DATE: 2 OF 2 / 1 / 86

PART NO. SEE CHART

DWG NO. SDA-7720S-#N#

LEVEL CHART

1	16	31	46	61
2	17	32	47	62
3	18	33	48	63
4	19	34	49	
5	20	35	50	
6	21	36	51	LEVEL INDEX
7	22	37	52	RESERVED
8	23	38	53	RESERVED
9	24	39	54	RESERVED
10	25	40	55	DIMENSIONS
11	26	41	56	TABLES/CHARTS
12	27	42	57	REVISION TEXT
13	28	43	58	NOTES/TEXT
14	29	44	59	BILL-OF-MAT'L.
15	30	45	60	RESERVED

[English](#)
[Español](#)
[Français](#)
[Italiano](#)
[Deutsch](#)
[Portugués](#)
[По Русски](#)
[中文显示](#)
[日本語](#)
[한국어](#)

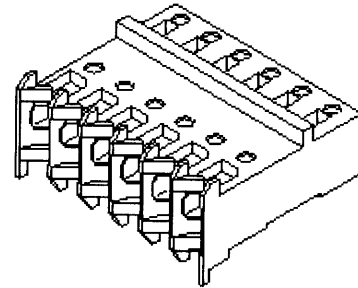
**Datasheet**  
**IDT and Solder Connectors**

[ [Home](#) > [Products](#) > [IDT and Solder Connectors](#) > [Datasheet](#) ]

# 22-50-3035

**WO/B WR OR 3CCT GRN 7720SC03H**

View all parts in series 7720s	2D Dimensions	E-mail this page	Samples	Buy
--------------------------------	---------------	------------------	---------	-----



Status	Active
Pitch / Center Spacing	2.54mm (.100")
Circuits / Positions	3
Termination Method	Insulation Displacement (IDT)
Wire Size [AWG]	24 Stranded, 26 Solid and Fused, and 28 Fused
Wire Entry Angle	Right Angle
Gender	Female
Packaging	Bag
Panel Mount	No
Product Name	KK@

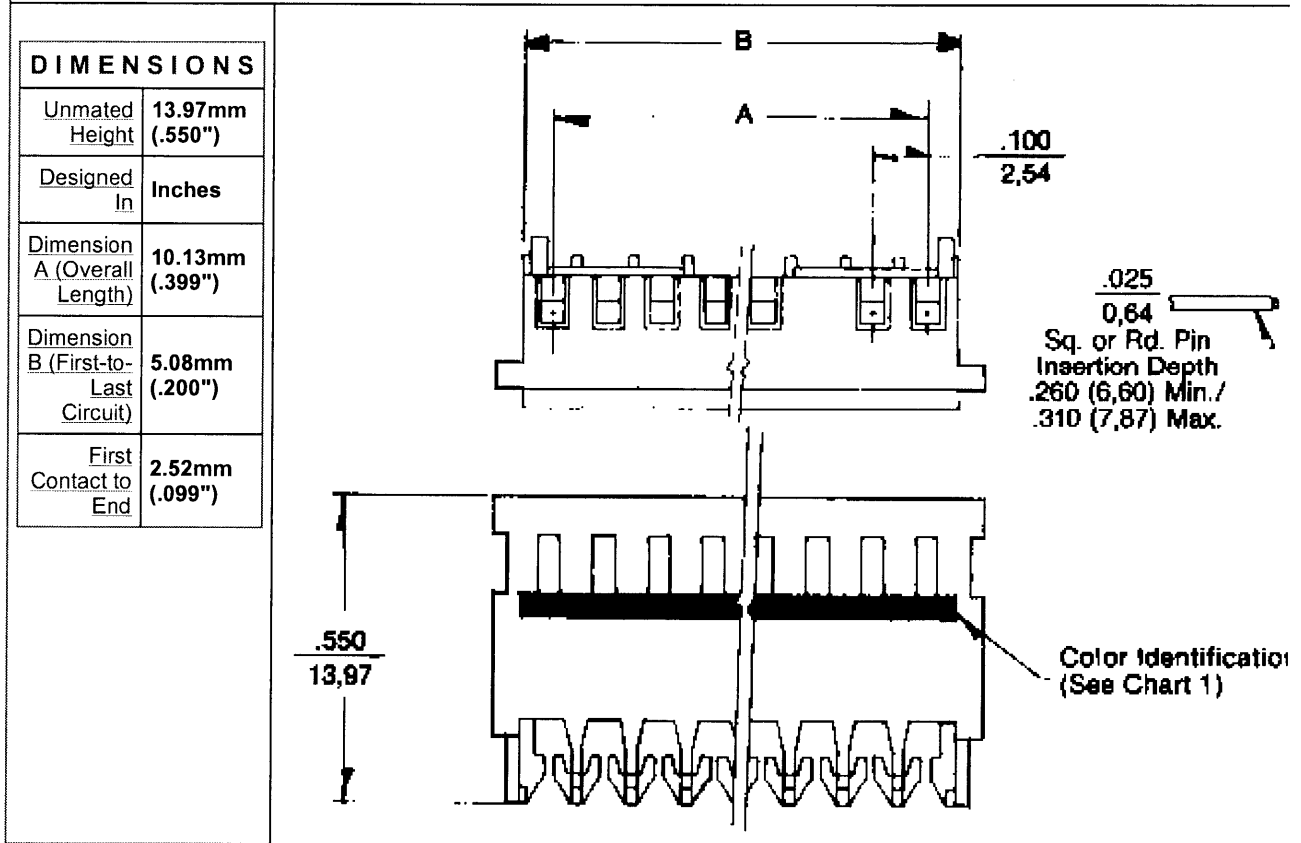
This part is <b>ELV and RoHS COMPLIANT</b>	
<b>ENVIRONMENT</b>	
RoHS Compliant	Yes
Lead-free Process Capability	Wave Capable (TH only)

P H Y S I C A L	
Housing Material	PA Polyamide (Nylon)
Color of Identification Stripe	Green
Flammability	UL 94V-2
Contact	Brass (CuZn)

E L E C T R I C A L	
Current-max [amps]	2.5A
Voltage-max [volts]	250V
Withstanding Voltage	1500V AC
Contact Resistance [ohms]	20 milliohms max.
Insulation Resistance [ohms]	200,000 Megohms min.

R E F E R E N C E	
Product Specification	PSX-7690S
UL File Number	E29179
CSA File Number	LR19980
Comment	Version H
Rows	1
Old Part Number	A-7720S-C03H
MX01 Catalog Page	C-118
990 Catalog Page	J-45
Molex Series	7720
Marketing Series	7720s

2D D R A W I N G - For reference only. See technical Drawing (PDF) for design-in purposes.



© Copyright 2005 Molex Incorporated  
0.53 secs